



USSP5350

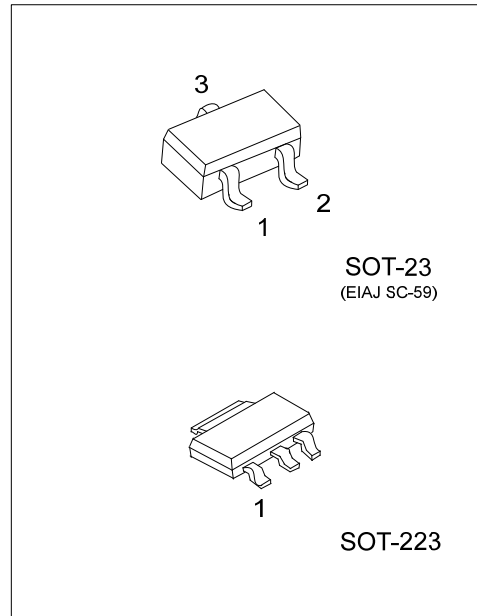
Preliminary

PNP EPITAXIAL SILICON TRANSISTOR

-50V, -3.0A PNP LOW $V_{CE(SAT)}$ TRANSISTOR

■ **FEATURES**

- * Low collector-emitter saturation voltage $V_{CE(SAT)}$
- * High collector current capability: I_C and I_{CM}
- * Higher efficiency leading to less heat generation
- * Reduced printed-circuit board requirements
- * Complement: USSN5350



■ **ORDERING INFORMATION**

Ordering Number		Package	Pin Assignment			Packing
Lead Free	Halogen Free		1	2	3	
USSP5350L-AA3-R	USSP5350G-AA3-R	SOT-223	B	C	E	Tape Reel
USSP5350L-AE3-R	USSP5350G-AE3-R	SOT-23	B	E	C	Tape Reel

Note: Pin Assignment: B: Base C: Collector E: Emitter

<p>USSP5350G-AA3-R</p> <p>(1)Packing Type (2)Package Type (3)Green Package</p>	<p>(1) R: Tape Reel (2) AA3: SOT-223. AE3: SOT-23 (3) G: Halogen Free and Lead Free, L: Lead Free</p>
--	---

■ **MARKING**

SOT-223	SOT-23
<p>L: Lead Free G: Halogen Free Date Code</p>	

■ ABSOLUTE MAXIMUM RATING (T_A=25°C, unless otherwise specified)

PARAMETER		SYMBOL	RATINGS	UNIT
Collector-Base Voltage		V _{CB0}	-50	V
Collector-Emitter Voltage		V _{CEO}	-50	V
Emitter-Base Voltage		V _{EBO}	-6	V
Collector Current	DC	I _C	-3	A
	Peak	I _{CM}	-5	A
Power Dissipation (T _A ≤ 25°C)	SOT-223	P _D	1	W
	SOT-23		0.35	W
Junction Temperature		T _J	+150	°C
Storage Temperature		T _{STG}	-65 ~ +150	°C

Notes: 1. Absolute maximum ratings are those values beyond which the device could be permanently damaged. Absolute maximum ratings are stress ratings only and functional device operation is not implied.

2. Device mounted on a FR4 printed-circuit board, single-sided copper; tin-plated, mounting pad for collector 1 cm².

■ THERMAL DATA

PARAMETER		SYMBOL	RATINGS	UNIT
Junction to Ambient	SOT-223	θ _{JA}	125	°C/W
	SOT-23		357	°C/W
Junction to Case	SOT-223	θ _{JC}	47	°C/W
	SOT-23		260	°C/W

Note: Device mounted on a FR4 printed-circuit board, single-sided copper; tin-plated, mounting pad for collector 1 cm².

■ ELECTRICAL CHARACTERISTICS (T_A=25°C, unless otherwise specified)

PARAMETER	SYMBOL	TEST CONDITIONS	MIN	TYP	MAX	UNIT
Collector-Base Breakdown Voltage	BV _{CB0}	I _C =-100μA, I _E =0	-50			V
Collector-Emitter Breakdown Voltage	BV _{CEO}	I _C =-1mA, I _B =0	-50			V
Emitter-Base Breakdown Voltage	BV _{EBO}	I _E =-100μA, I _C =0	-6			V
Collector-Base Cut-Off Current	I _{CB0}	V _{CB} =-50V, I _E =0			-100	nA
		V _{CB} =-50V, I _E =0, T _J =150°C			-50	μA
Collector-Emitter Cut-Off Current	I _{CES}	V _{CE} =-50V, V _{BE} =0			-100	nA
Emitter-Base Cut-Off Current	I _{EBO}	V _{EB} =-5V, I _C =0			-100	nA
Collector-Emitter Saturation Voltage (Note)	V _{CE(SAT)}	I _C =-100mA, I _B =-1mA			-100	mV
		I _C =-500mA, I _B =-50mA			-90	mV
		I _C =-1A, I _B =-50mA			-180	mV
		I _C =-1A, I _B =-100mA			-170	mV
		I _C =-2A, I _B =-200mA			-270	mV
Base-Emitter Saturation Voltage (Note)	V _{BE(SAT)}	I _C =-1A, I _B =-100mA			-1.0	V
		I _C =-2A, I _B =-200mA			-1.2	V
		I _C =-3A, I _B =-300mA			-1.3	V
Base-Emitter Turn-On Voltage(Note)	V _{BE(ON)}	I _C =-2A, V _{CE} =-2V			-1.0	V
Dc Current Gain (Note)	h _{FE}	V _{CE} =-2V, I _C =-100mA	200			
		V _{CE} =-2V, I _C =-500mA	200			
		V _{CE} =-2V, I _C =-1A	200			
		V _{CE} =-2V, I _C =-2A	100			
		V _{CE} =-2V, I _C =-3A	50			
Transition Frequency	f _T	V _{CE} =-10V, I _C =-100mA, f=100MHz	100			MHz

Note: Pulse test: t_p ≤ 300μs, Duty cycle ≤ 2%.

UTC assumes no responsibility for equipment failures that result from using products at values that exceed, even momentarily, rated values (such as maximum ratings, operating condition ranges, or other parameters) listed in products specifications of any and all UTC products described or contained herein. UTC products are not designed for use in life support appliances, devices or systems where malfunction of these products can be reasonably expected to result in personal injury. Reproduction in whole or in part is prohibited without the prior written consent of the copyright owner. UTC reserves the right to make changes to information published in this document, including without limitation specifications and product descriptions, at any time and without notice. This document supersedes and replaces all information supplied prior to the publication hereof.