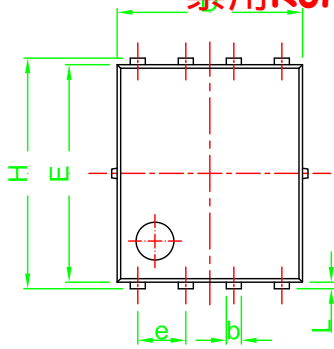
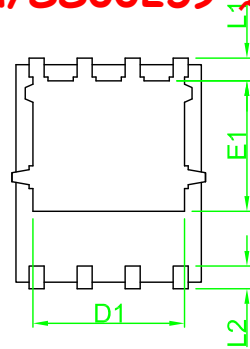
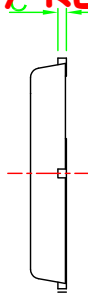


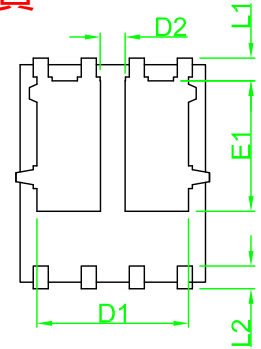
禁用RoHS / REACH/SS00259 之有害物質



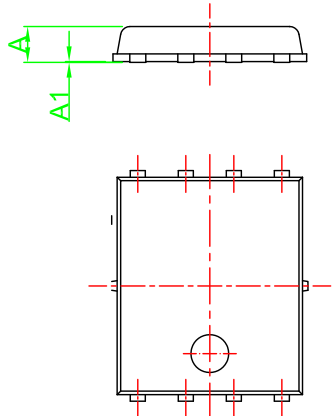
OPTION I



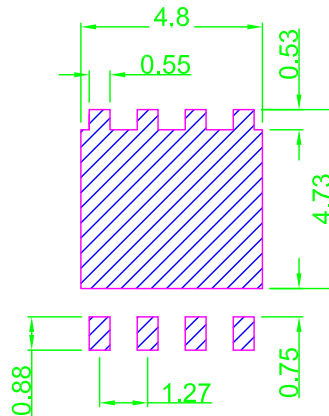
TYPE I



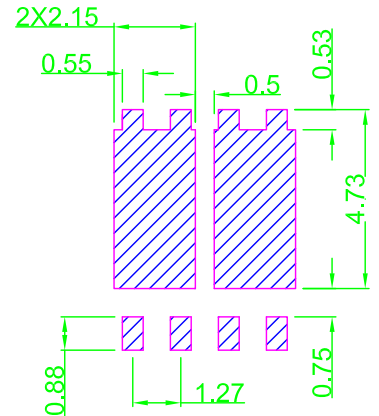
TYPE II



OPTION II



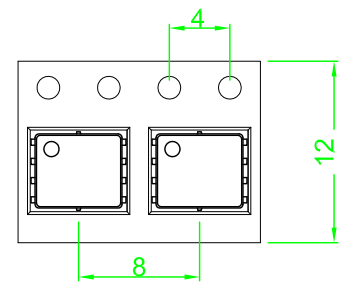
TYPE I



TYPE II

Recommended Land Pattern

| Symbol | Dimensions in Millimeters | | Dimensions in Inches | |
|--------|---------------------------|------|----------------------|-------|
| | Min | Max | Min | Max |
| A | 0.85 | 1.10 | 0.033 | 0.043 |
| A1 | 0.00 | 0.05 | 0.000 | 0.002 |
| b | 0.30 | 0.55 | 0.012 | 0.022 |
| C | 0.20 | 0.30 | 0.008 | 0.012 |
| D | 4.80 | 5.00 | 0.189 | 0.197 |
| D1 | 3.40 | 4.60 | 0.134 | 0.181 |
| D2 | 0.47 | 0.87 | 0.019 | 0.034 |
| e | 1.27 TYP | | 0.05 TYP | |
| E | 5.65 | 5.85 | 0.222 | 0.230 |
| E1 | 3.35 | 3.80 | 0.132 | 0.150 |
| L | --- | 0.30 | --- | 0.012 |
| L1 | 0.40 | 0.73 | 0.016 | 0.029 |
| L2 | 0.45 | 0.75 | 0.018 | 0.030 |
| H | 5.90 | 6.30 | 0.232 | 0.248 |



| | |
|-------------|-----------|
| Q'ty / Reel | Reel Size |
| 4,000pcs | 13" |



友順科技股份有限公司
UNISONIC TECHNOLOGIES CO.,LTD

正式發行圖面

| | |
|-------|---------------------|
| SCALE | mm |
| 5:1 | 發行 |
| SHEET | FOR ISSUE |
| of | AUG 04 2023 |
| ENG. | James Wu 2023/7/19 |
| APP. | Ken Huang 2023/7/31 |

| |
|-----------------------------|
| REV:A2 |
| PART NO:DFN5060-8 |
| DWG NO:DIM-DFN5060-8-000-A2 |

TITLE
DFN5060-8
Package Dimensions