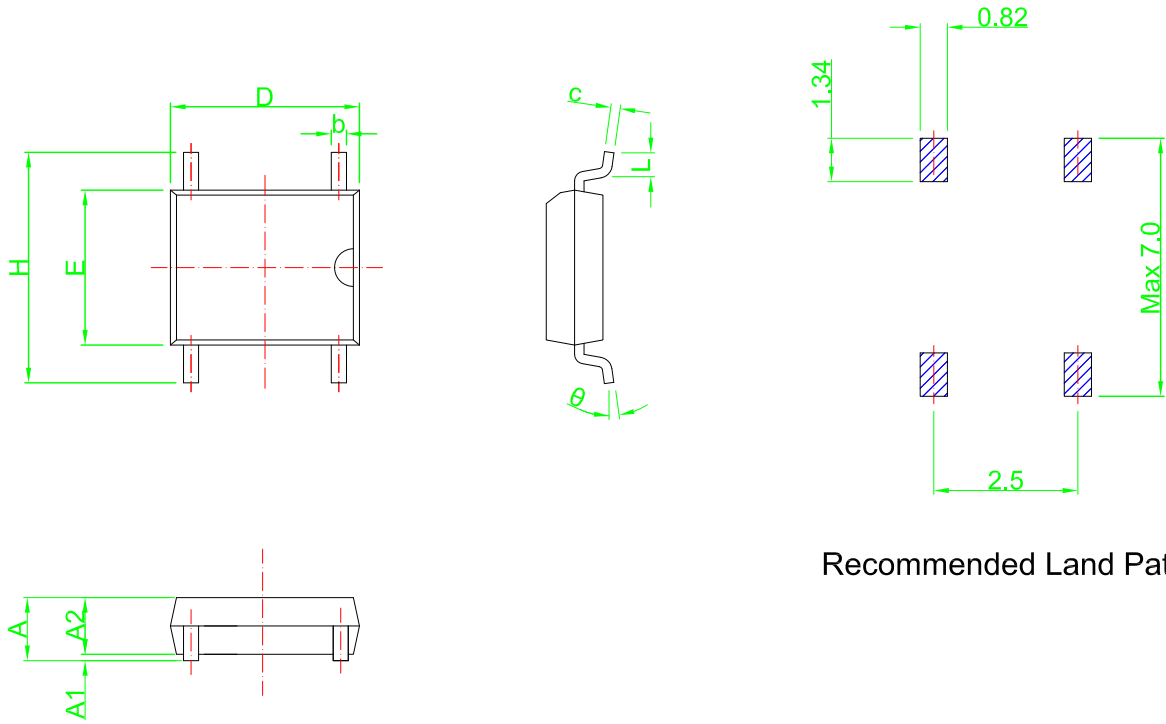


# 禁用RoHS / REACH/SS00259 之有害物質



Recommended Land Pattern

Symbol	Dimensions in Millimeters		Dimensions in Inches	
	Min	Max	Min	Max
A	2.50	2.90	0.098	0.114
A1	-	0.20	-	0.008
A2	2.30	2.70	0.091	0.106
b	0.50	0.70	0.020	0.028
c	0.15	0.25	0.006	0.010
D	4.50	4.95	0.177	0.195
e	2.30	2.70	0.091	0.106
E	3.60	4.10	0.142	0.161
H	-	7.00	-	0.276
L	0.60	1.10	0.024	0.043
$\theta$	0°	8°	0°	8°



友順科技股份有限公司  
UNISONIC TECHNOLOGIES CO.,LTD

正式發行圖面

SCALE	mm
5:發	0 30 行
SHEET	THIRD ANGLE PROJECTION
1 of 1	Nov 17 2015
ENG.	Angus Chang 2015/11/11
APPR.	Kelvin Lee 2015/11/11

REV:A0  
PART NO:MBS  
DWG NO:DIM-MBS-000-A0

TITLE  
**MBS**  
Package Dimensions