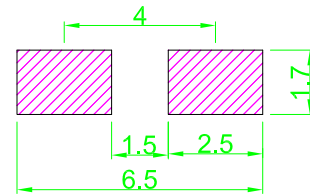
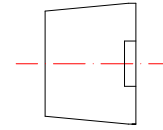
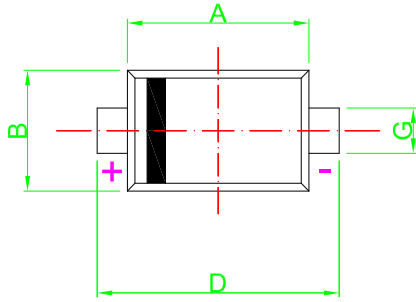
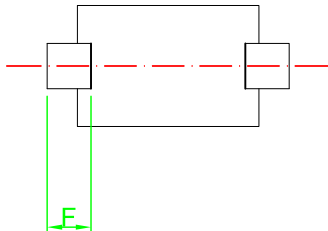


禁用RoHS / REACH/SS00259 之有害物質



Recommended Land Pattern



Symbol	Dimensions in Millimeters		Dimensions in Inches	
	Min	Max	Min	Max
A	4.25	4.55	0.167	0.179
B	2.50	2.80	0.098	0.110
C	1.85	2.15	0.073	0.085
D	4.85	5.15	0.191	0.203
E	0.15	0.25	0.006	0.010
F	0.70	1.00	0.028	0.039
G	1.35	1.65	0.053	0.065

Refer to JEDEC DO-214 AC



友順科技股份有限公司
UNISONIC TECHNOLOGIES CO.,LTD

正式發行圖面

SCALE	mm
FRE	0 30
SHEET	of 1
THIRD ANGLE PROJECTION	
SEP 16 2014	
ENG.	Angus Chang 2014/09/05
APPR.	Ken Lin 2014/09/09

REV: A0
PART NO: SMAF
DWG NO: DIM-SMAF-000-A0

TITLE	SMAF Package Dimensions
-------	----------------------------