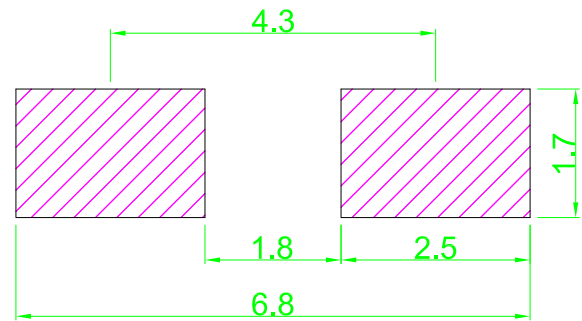
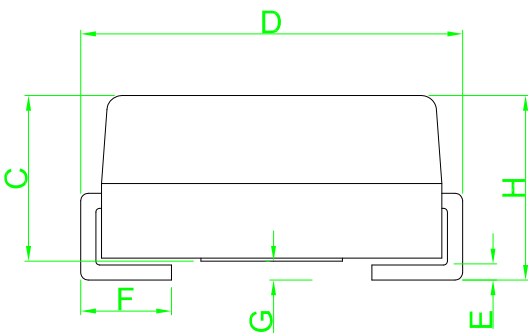
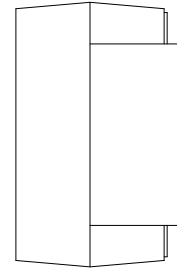
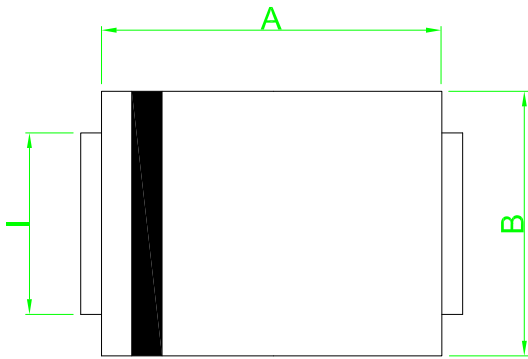
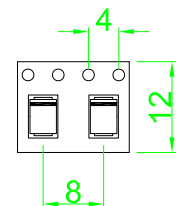


禁用RoHS / REACH/SS00259 之有害物質



Recommended Land Pattern

Symbol	Dimensions in Millimeters		Dimensions in Inches	
	Min	Max	Min	Max
A	4.30	4.70	0.169	0.185
B	3.30	3.70	0.130	0.146
C	2.00	2.30	0.079	0.091
D	5.05	5.55	0.199	0.219
E	0.2 TYP		0.008TYP	
F	0.95	1.55	0.037	0.061
G	---	0.20	---	0.008
H	2.10	2.50	0.083	0.098
I	1.85	2.15	0.073	0.085



Q'ty / Reel	Reel Size
3000pcs	13"

Refer to JEDEC DO-214 AA



友順科技股份有限公司
UNISONIC TECHNOLOGIES CO.,LTD

正式發行圖面

SCALE	mm
10: 發行	0 30
SHEET	THIRD ANGLE PROJECTION
of 1	NOV 22 2011
ENG. Naom Lin	2011/11/07
APPR. Henry Hsiao	2011/11/07

REV: A0	TITLE
PART NO: SMB	SMB
DWG NO: DIM-SMB-000-A0	Package Dimensions