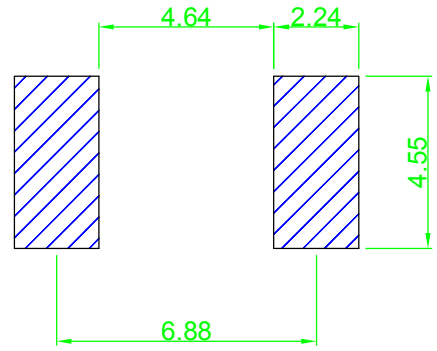
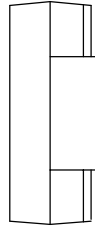
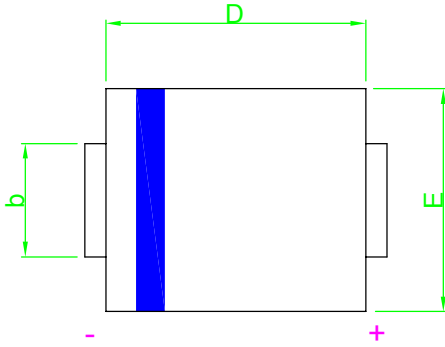
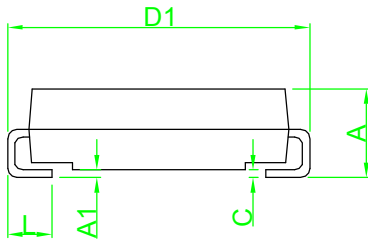


禁用RoHS / REACH/SS00259 之有害物質



Recommended Land Pattern



Symbol	Dimensions in Millimeters		Dimensions in Inches	
	Min	Max	Min	Max
A	1.95	2.95	0.077	0.116
A1	0.05	0.30	0.002	0.012
b	2.75	3.25	0.108	0.128
C	0.15	0.45	0.006	0.018
D	6.60	7.15	0.260	0.281
D1	7.75	8.25	0.305	0.325
E	5.55	6.25	0.219	0.246
L	0.75	1.60	0.030	0.063

Refer to JEDEC DO-214 AB



友順科技股份有限公司
UNISONIC TECHNOLOGIES CO.,LTD

正式發行圖面

SCALE	mm
5 : 發行	0 30
SHEET	THIRD ANGLE PROJECTION
1 of 1	Oct 23 2019
ENG. Ken Huang	2019/10/17
APPR. Yen Hsiao	2019/10/17

REV: A1
PART NO: SMC
DWG NO: DIM-SMC-000-A1

TITLE	SMC
	Package Dimensions