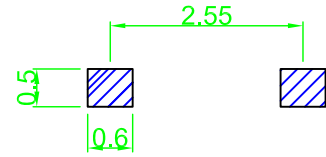
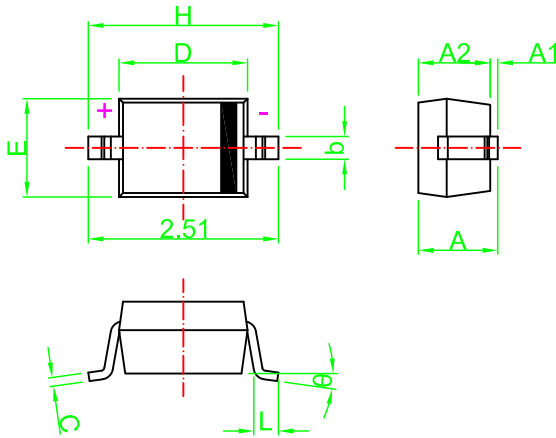
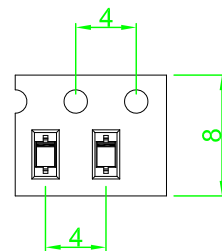


禁用RoHS / REACH/SS00259 之有害物質



Recommended Land Pattern

| Symbol | Dimensions In Millimeters | | Dimensions In Inches | |
|----------|---------------------------|------|----------------------|-------|
| | Min | Max | Min | Max |
| A | 0.80 | 1.20 | 0.031 | 0.047 |
| A1 | 0.00 | 0.10 | 0.000 | 0.004 |
| A2 | 0.80 | 1.00 | 0.031 | 0.039 |
| b | 0.20 | 0.40 | 0.008 | 0.016 |
| C | 0.10 | 0.15 | 0.004 | 0.006 |
| D | 1.60 | 1.80 | 0.063 | 0.071 |
| E | 1.15 | 1.45 | 0.045 | 0.057 |
| H | 2.30 | 2.80 | 0.091 | 0.110 |
| L | 0.20 | 0.50 | 0.008 | 0.020 |
| θ | 0° | 12° | 0° | 12° |



| | |
|------------|-----------|
| Qty / Reel | Reel Size |
| 3000pcs | 7" |

Refer to EIAJ NO. SC-76



友順科技股份有限公司
UNISONIC TECHNOLOGIES CO.,LTD

正式發行圖面

| | |
|--------|----------------------------|
| SCALE | mm |
| 10: 發行 | 0 30 |
| SHEET | FOR THIRD ANGLE PROJECTION |
| of | Oct 19 2021 |
| ENG. | Ken Huang 2021/10/13 |
| APPR. | Joshua Yang 2021/10/13 |

| | |
|----------------------------|--------------------|
| REV: A1 | TITLE |
| PART NO: SOD-323 | SOD-323 |
| DWG NO: DIM-SOD-323-000-A1 | Package Dimensions |