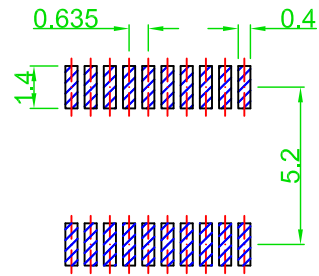
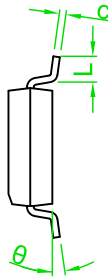
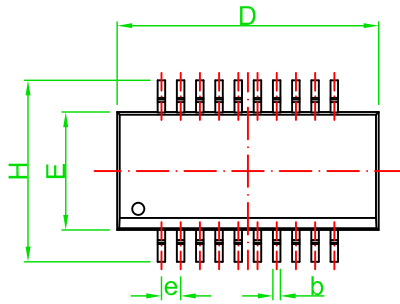
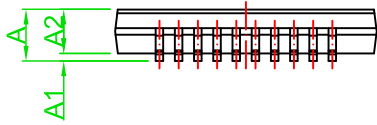


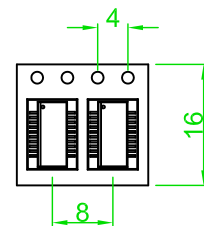
禁用RoHS / REACH/SS00259 之有害物質



Recommended Land Pattern



Symbol	Dimensions in Millimeters		Dimensions in Inches	
	Min	Max	Min	Max
A	1.35	1.75	0.053	0.069
A1	0.10	0.25	0.004	0.010
A2	1.25	1.65	0.049	0.065
b	0.20	0.30	0.008	0.012
c	0.18	0.25	0.007	0.010
D	8.56	8.74	0.337	0.344
E	3.80	4.00	0.150	0.157
e	0.635 TYP		0.025 TYP	
H	5.80	6.20	0.228	0.244
L	0.40	1.27	0.016	0.050
θ	0°	8°	0°	8°



Q'ty / Reel	Reel Size
2500pcs	13"

Refer to JEDEC NO. MO-137 AD



友順科技股份有限公司  
UNISONIC TECHNOLOGIES CO.,LTD

正式發行圖面

SCALE	mm
4:發行	0 30
SHEET 1 of 1	THIRD ANGLE PROJECTION
SEP 27 2010	文件管理 中心
ENG. Am Huang	2010/09/17
APPR. Henry Hsiao	2010/09/17

REV:A0	TITLE
PART NO:SSOP-20(150mil)	SSOP-20(150mil)
DWG NO:DIM-SSOP-20-150mil-000-A0	Package Dimensions