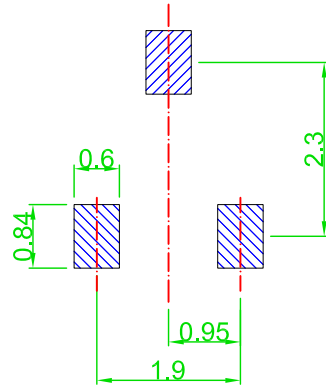
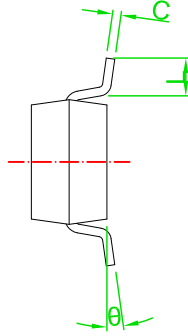
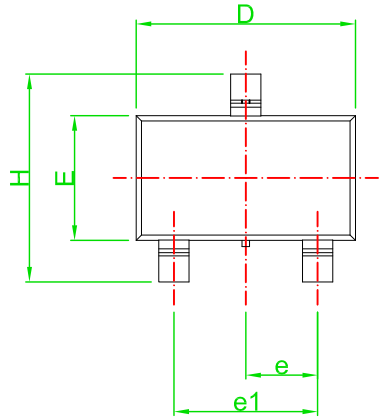
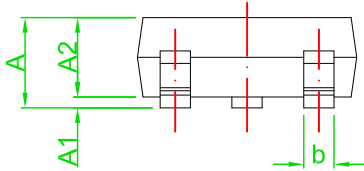


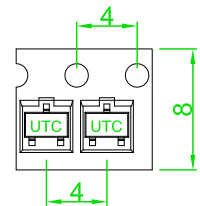
禁用RoHS / REACH/SS00259 之有害物質



Recommended Land Pattern



Symbol	Dimensions in Millimeters		Dimensions in Inches	
	Min	Max	Min	Max
A	---	1.25	---	0.049
A1	0.00	0.10	0.000	0.004
A2	1.00	1.30	0.039	0.051
b	0.35	0.50	0.014	0.020
C	0.10	0.20	0.004	0.008
D	2.80	3.10	0.110	0.122
E	1.40	1.70	0.055	0.067
e	0.95 TYP		0.037 TYP	
e1	1.90 TYP		0.075 TYP	
H	2.60	3.00	0.102	0.118
L	0.20	0.60	0.008	0.024
theta	0°	8°	0°	8°



Q'ty / Reel	Reel Size
3000pcs	7"

Refer EIAJ NO.SC-59



友順科技股份有限公司
UNISONIC TECHNOLOGIES CO.,LTD

正式發行圖面

SCALE	mm
10 : 1	發行
SHEET	FOR ISSUE
of	AUG 04 2023
ENG.	James Wu 2023/7/19
APP.	Ken Huang 2023/7/31

REV: A1
PART NO: SOT-23S
DWG NO: DIM-SOT-23S-000-A1

TITLE
SOT-23S
Package Dimensions