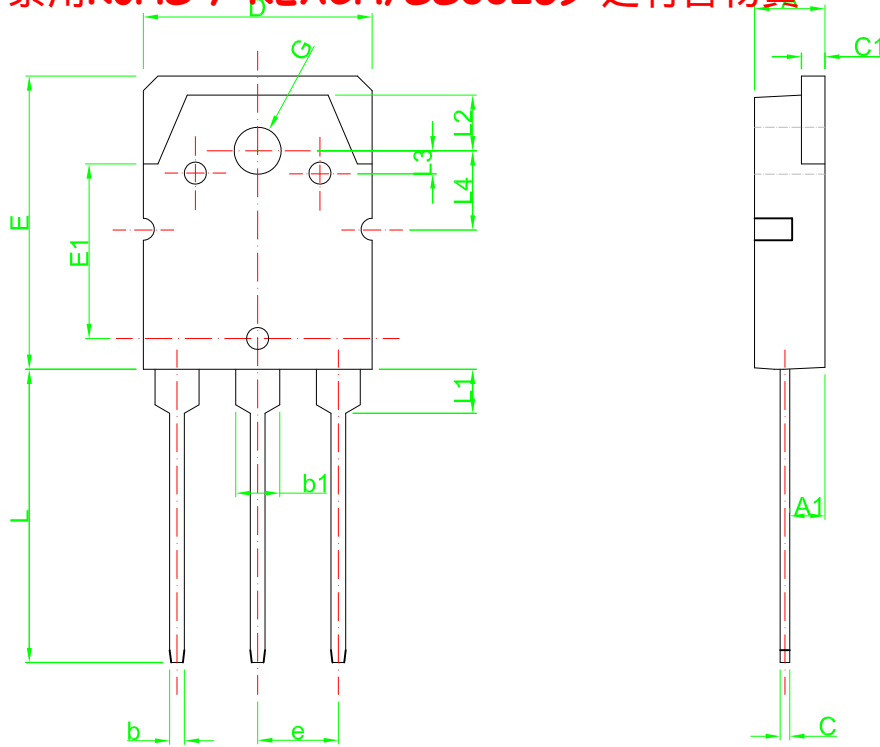


禁用RoHS / REACH/SS00259 之有害物質



Symbol	Dimensions in Millimeters		Dimensions in Inches	
	Min	Max	Min	Max
A	4.45	4.65	0.175	0.183
A1	2.70	2.90	0.106	0.114
b	0.95	1.05	0.037	0.041
b1	1.95	2.05	0.077	0.081
C	0.55	0.65	0.022	0.026
C1	1.40	1.60	0.055	0.063
D	15.40	15.85	0.606	0.624
E	19.80	20.20	0.780	0.795
E1	9.90	12.40	0.390	0.488
e	5.40	5.50	0.213	0.217
G	3.10	3.30	0.122	0.130
L	20.30	20.70	0.799	0.815
L1	2.40	2.70	0.094	0.106
L2	3.40	3.60	0.134	0.142
L3	2.40	2.60	0.094	0.102
L4	6.40	6.60	0.252	0.260



友順科技股份有限公司
UNISONIC TECHNOLOGIES CO.,LTD

REV: A1
PART NO:TO-3PB
DWG NO:DIM-TO-3PB-014-A1

TITLE
TO-3PB
Package Dimensions

正式發行圖面

SCALE	mm
2:1	0 30
SHEET	THIRD ANGLE PROJECTION
1 of 1	FOR ISSUED
ENG	James Wu 2023/03/09
APPR	Ken Huang 2023/03/09
	UTC Doc.Control Center