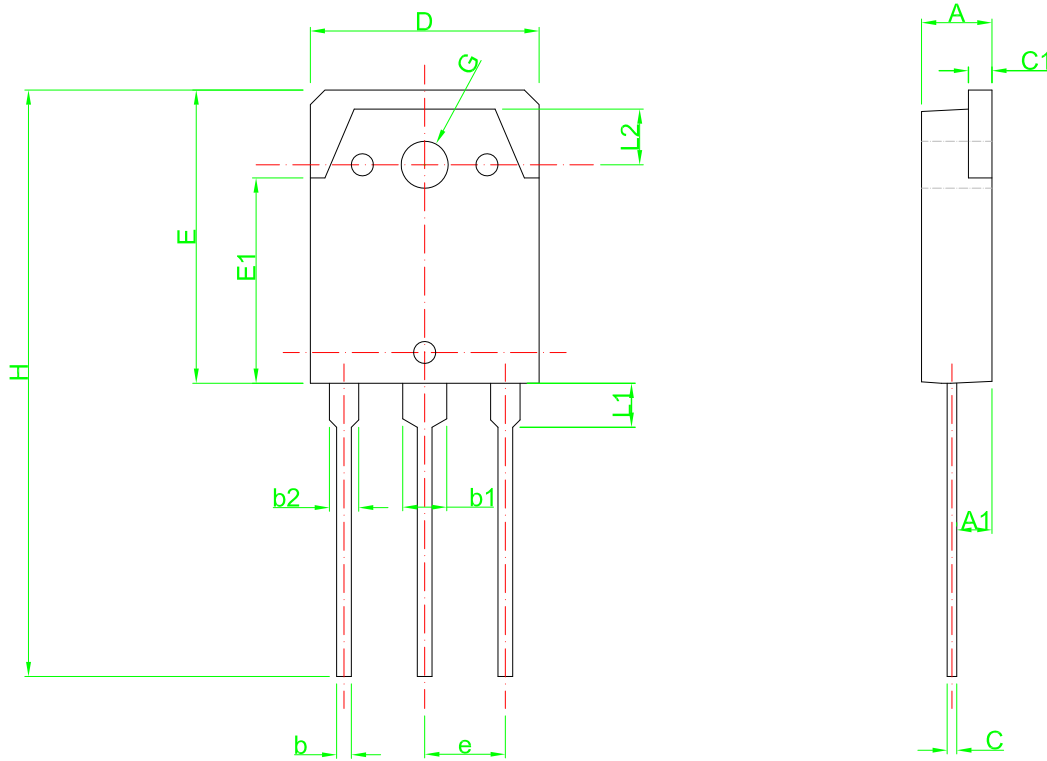


禁用RoHS / REACH/SS00259 之有害物質



Symbol	Dimensions in Millimeters		Dimensions in Inches	
	Min	Max	Min	Max
A	4.60	5.00	0.181	0.197
A1	2.20	2.60	0.087	0.102
b	0.80	1.20	0.031	0.047
b1	2.80	3.20	0.110	0.126
b2	1.80	2.20	0.071	0.087
C	0.55	0.75	0.022	0.030
C1	1.50	1.70	0.059	0.067
D	15.40	15.80	0.606	0.622
E	19.70	20.30	0.776	0.799
E1	13.70	14.10	0.539	0.555
e	5.45 TYP		0.215 TYP	
G	3.10	3.30	0.122	0.130
H	39.50	40.00	1.555	1.575
L1	2.70	3.30	0.106	0.130
L2	3.60	4.00	0.142	0.157



友順科技股份有限公司
UNISONIC TECHNOLOGIES CO.,LTD

REV: A3
PART NO:TO-3PN
DWG NO:DIM-TO-3PN-000-A3

TITLE
TO-3PN
Package Dimensions

正式發行圖面

SCALE	mm
2:1	0 30
SHEET	THIRD ANGLE PROJECTION
1 of 1	FOR ISSUE
ENG. James Wu	2023/7/27
APPR. Ken Huang	2023/8/04

文件管理中心
UTC Doc.Control Center