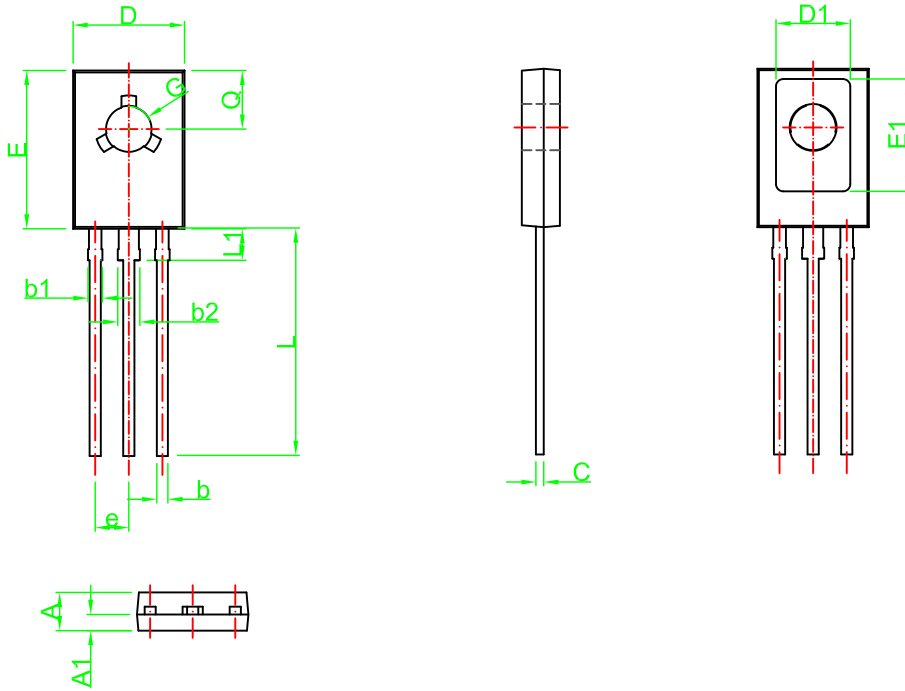


禁用RoHS / REACH/SS00259 之有害物質



Symbol	Dimensions in Millimeters		Dimensions in Inches	
	Min	Max	Min	Max
A	2.29	3.04	0.090	0.120
A1	0.890	1.65	0.035	0.065
b	0.64	0.88	0.025	0.035
b1	0.70	1.10	0.028	0.043
b2	1.15	1.65	0.045	0.065
C	0.30	0.70	0.012	0.028
D	7.12	8.38	0.280	0.330
D1	4.97	6.00	0.196	0.236
E	10.16	11.43	0.400	0.450
E1	7.30	8.30	0.287	0.327
e	2.29 TYP		0.090 TYP	
G	3.10REF		0.122REF	
Q	3.31	4.44	0.130	0.175
L	15.12	16.63	0.595	0.655
L1	---	2.54	---	0.100

Refer to JEDEC NO. TO-126



友順科技股份有限公司
UNISONIC TECHNOLOGIES CO.,LTD

正式發行圖面

SCALE	mm	
2:1	0	30
SHEET	THIRD ANGLE PROJECTION	
1 of 1	FOR ISSUE	
ENG.	Cathy Chen 2023/12/20	
APPR.	YH He 2023/12/20	
UTC Doc Control Center		

REV: A4
PART NO: TO-126
DWG NO: DIM-TO-126-000-A4

TITLE
TO-126
Package Dimensions