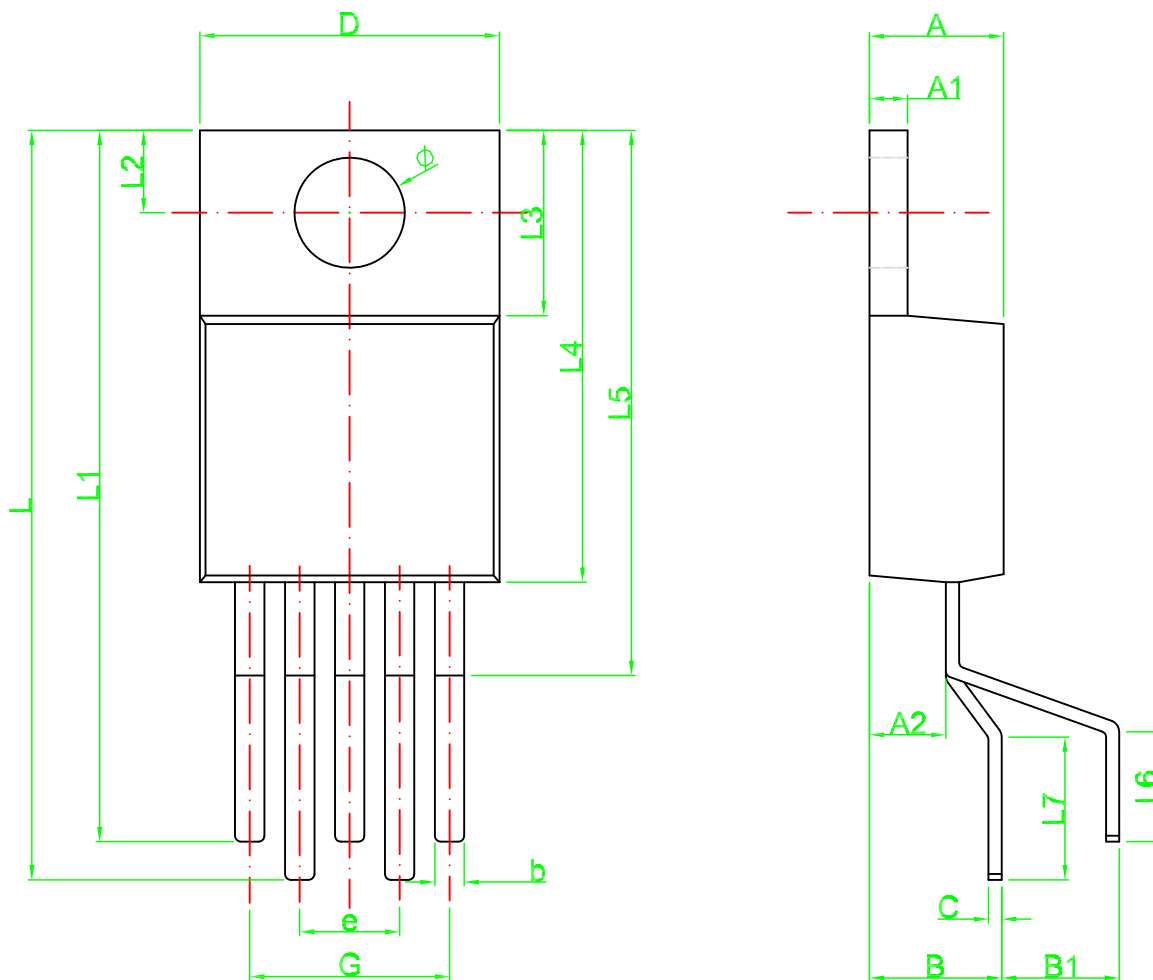


禁用RoHS / REACH/SS00259 之有害物質



Symbol	Dimensions in Millimeters		Dimensions in Inches	
	Min	Max	Min	Max
A	4.47	4.67	0.176	0.184
A1	1.17	1.37	0.046	0.054
A2	2.00	3.00	0.079	0.118
b	0.71	1.05	0.028	0.041
B	4.00	5.00	0.157	0.197
B1	3.30	4.25	0.130	0.167
C	0.31	0.55	0.012	0.022
D	10.01	10.40	0.394	0.409
e	3.40TYP		0.134TYP	
G	6.79	6.83	0.267	0.269
L	24.90	26.00	0.980	1.024
L1	23.80	25.70	0.937	1.012
L2	2.59	3.00	0.102	0.118
L3	6.00	6.60	0.236	0.260
L4	14.73	16.01	0.580	0.630
L5	18.15	18.95	0.715	0.746
L6	3.70	4.10	0.146	0.161
L7	4.80	6.80	0.189	0.268
$\phi$	3.65	3.89	0.144	0.153



友順科技股份有限公司  
UNISONIC TECHNOLOGIES CO.,LTD

正式發行圖面

SCALE	mm
4:1	0 30
SHEET	THIRD ANGLE PROJECTION
1 of 1	FOR ISSUE
ENG	Aug 13 2024
APPR.	2024/01/25
UTC Doc.Control Center	

REV: A1  
PART NO:TO-220B  
DWG NO:DIM-TO-220B-000-A1

TITLE  
**TO-220B**  
**Package Dimensions**

Aug 13 2024  
2024/01/25