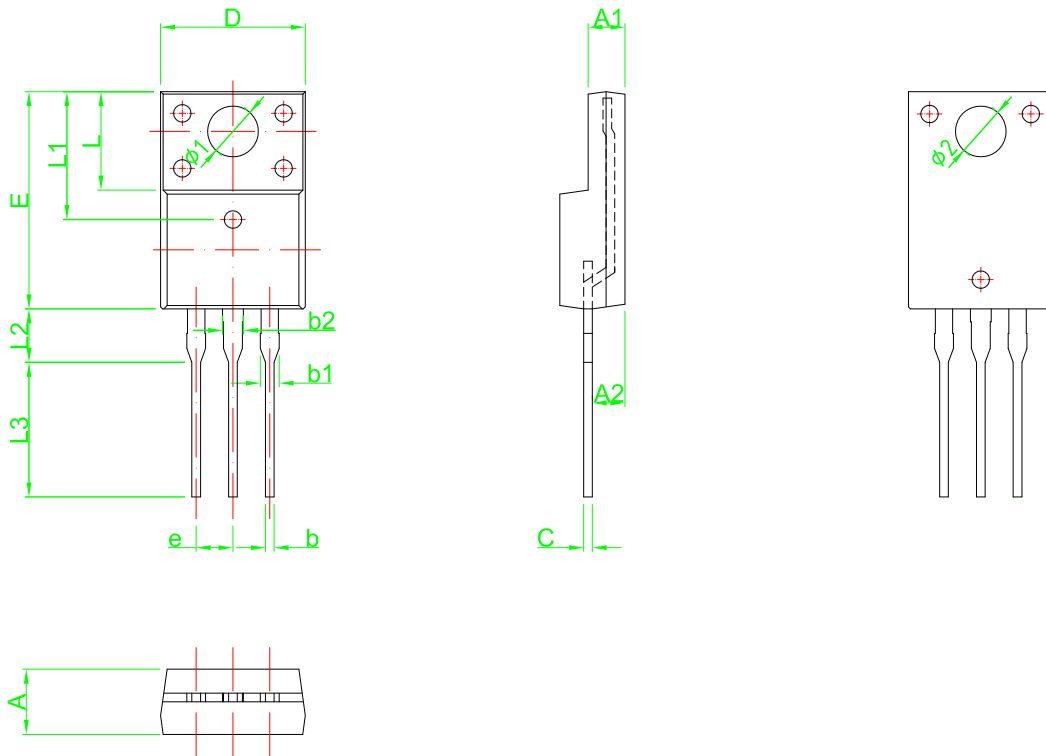


禁用RoHS / REACH/SS00259 之有害物質



Symbol	Dimensions in Millimeters		Dimensions in Inches	
	Min	Max	Min	Max
A	4.50	4.90	0.177	0.193
A1	2.34	2.74	0.092	0.108
A2	2.65	2.95	0.104	0.116
b	0.75	0.90	0.030	0.035
b1	0.98	1.26	0.039	0.050
b2	0.98	1.40	0.0386	0.055
C	0.40	0.60	0.016	0.024
D	10.70	11.30	0.421	0.445
E	15.47	16.27	0.609	0.641
e	3.95	4.55	0.156	0.179
L	6.40	7.00	0.252	0.276
L1	9.10	9.70	0.358	0.382
L2	1.70	2.30	0.067	0.091
L3	10.93	13.38	0.430	0.527
Ø1	2.98	3.38	0.117	0.133
Ø2	3.30	3.60	0.130	0.142



友順科技股份有限公司
UNISONIC TECHNOLOGIES CO.,LTD

REV: A0
PART NO:TO-220WF
DWG NO:DIM-TO-220WF-000-A0

TITLE
TO-220WF
Package Dimensions

正式發行圖面

SCALE	mm	
2.1	0	30
SHEET	THIRD ANGLE PROJECTION	
1 of 1	FOR ISSUE	
ENG.	James Wu	2023/12/08
APPR.	Ken Huang	2023/12/08
UTC Doc.Control Center		