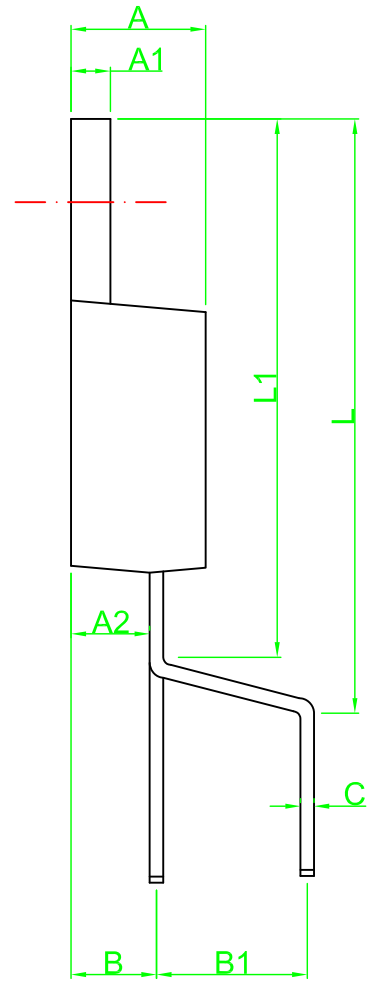
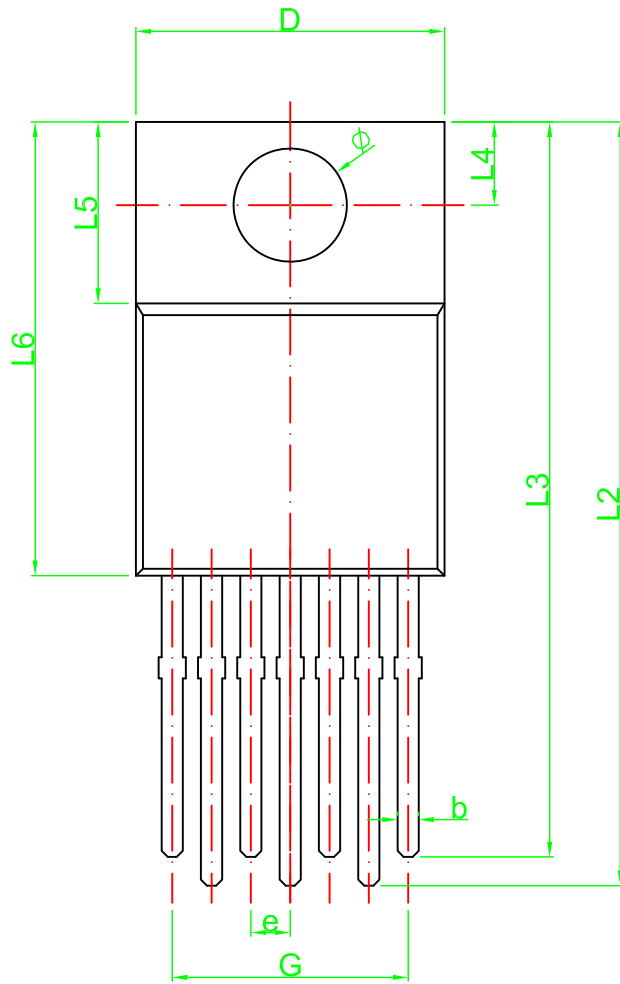


禁用RoHS / REACH/SS00259 之有害物質



Symbol	Dimensions In Millimeters		Dimensions In Inches	
	Min	Max	Min	Max
A	4.06	4.83	0.160	0.190
A1	1.14	1.4	0.045	0.055
A2	2.4	2.8	0.094	0.110
b	0.6	0.8	0.024	0.031
B	2.55	3.05	0.100	0.120
B1	4.83	5.33	0.190	0.210
C	0.35	0.55	0.014	0.022
D	10.05	10.4	0.396	0.409
e	1.27TYP		0.050TYP	
G	7.42	7.82	0.292	0.308
L	19.45	19.85	0.766	0.781
L1	17.37	17.97	0.684	0.707
L2	25.02	25.52	0.985	1.005
L3	23.99	24.59	0.944	0.968
L4	2.62	2.86	0.103	0.113
L5	5.8	6.3	0.228	0.248
L6	14.54	15.24	0.572	0.600
ø	3.65	3.85	0.144	0.152



友順科技股份有限公司  
UNISONIC TECHNOLOGIES CO.,LTD

正式發行圖面

SCALE	mm
4:1發行	0 30
SHEET FOR ISSUE	THIRD ANGLE PROJECTION
of SEP 08 2011	
ENG. 文件管理中心	Naomi Lin 2011/09/01
APPR. UTC Doc Control Center	Henry Hsiao 2011/09/01

REV: A0  
PART NO: TO-220Z7  
DWG NO: DIM-TO-220Z7-000-A0

TITLE  
**TO-220Z7**  
**Package Dimensions**