



友順科技股份有限公司

UNISONIC TECHNOLOGIES CO., LTD

產 品 變 更 通 知
PRODUCT CHANGE NOTIFICATION

PCN No.	PCN-231004	Issue Date	09 th -Nov-2022
TITLE	TO-247 新增框架供應商、變更尺寸 (TO-247 add New Lead Frame Supplier、Change dimension)		Page 1 of 3

變更主旨(Title) :

因應產能提升，TO-247 新增框架供應商、變更尺寸



Responding to increased production capacity, TO-247 add New Lead Frame Supplier、Change dimension.

變更類別(Category) :

- Design Process Raw Material Manufacturing Site
 Testing Packing/Shipping/Labeling Other _____

變更說明(Description Of Change) :

新增框架供應商

原框架	新增框架
	

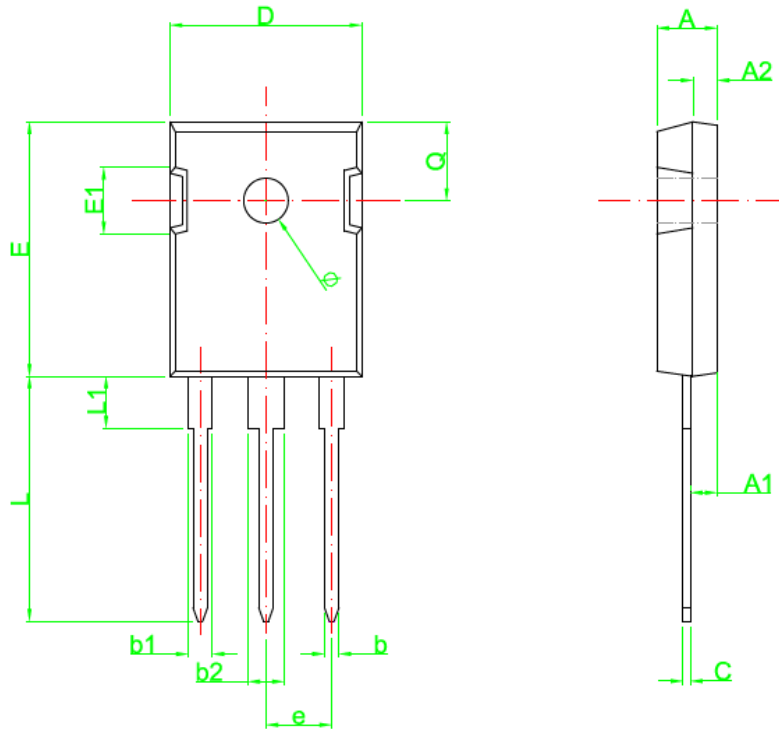


產品變更通知

PRODUCT CHANGE NOTIFICATION

PCN No.	PCN-231004	Issue Date	09 th -Nov-2022
TITLE	TO-247 新增框架供應商、變更尺寸 (TO-247 add New Lead Frame Supplier、Change dimension)	Page 2 of 3	

變更尺寸



原尺寸圖

更新尺寸圖

Symbol	Dimensions In Millimeters		Dimensions In Inches	
	Min	Max	Min	Max
A	4.70	5.31	0.185	0.209
A1	2.21	2.59	0.087	0.102
A2	1.50	2.49	0.059	0.098
b	1.15	1.25	0.045	0.049
b2	2.85	3.11	0.112	0.122
b1	1.95	2.05	0.077	0.081
C	0.38	0.89	0.015	0.035
D	15.49	16.26	0.610	0.640
E	20.77	21.46	0.818	0.845
E1	4.32	5.49	0.170	0.216
e	5.46TYP		0.215TYP	
L	19.81	20.32	0.780	0.800
L1	4.22	4.50	0.166	0.177
Q	5.38	6.20	0.212	0.244
∅	3.56	3.75	0.140	0.148

Symbol	Dimensions In Millimeters		Dimensions In Inches	
	Min	Max	Min	Max
A	4.70	5.31	0.185	0.209
A1	2.18	2.59	0.086	0.102
A2	1.50	2.49	0.059	0.098
b	1.1	1.35	0.043	0.053
b2	2.85	3.2	0.112	0.126
b1	1.9	2.2	0.075	0.087
C	0.38	0.89	0.015	0.035
D	15.49	16.26	0.610	0.640
E	20.7	21.46	0.815	0.845
E1	4.32	5.49	0.170	0.216
e	5.46TYP		0.215TYP	
L	19.62	20.32	0.772	0.800
L1	4.22	4.50	0.166	0.177
Q	5.38	6.20	0.212	0.244
∅	3.4	3.8	0.134	0.150

產 品 變 更 通 知
PRODUCT CHANGE NOTIFICATION

PCN No.	PCN-231004	Issue Date	09 th -Nov-2022
TITLE	TO-247 新增框架供應商、變更尺寸 (TO-247 add New Lead Frame Supplier、Change dimension)	Page 3 of 3	

品質驗證(Qualification And Reliability Data) :

本項變更不影響原有品質可靠性。

No change to quality and reliability in the final product.

生效日期(Effective date) :

Oct -2023

適用範圍(Applicable Products) : TO-247系列(TO-247 Series)

客戶回簽(Customer Response) :

請使用以下的確認通知回覆或以電子郵件同意認可或告知需要補充的資訊。如UTC於30日以內未收到確認通知，我們將視同 貴司同意此變更。

Please use the acknowledgement below or E-Mail to grant approval or request additional information. If UTC does not receive acknowledgement within 30 days of this notice it will be assumed that this change is acceptable.

Approved Rejected Other _____

Customer Signature: _____

友順對此變更所引起之不便表達致歉，如果對本變更有任何問題，請與我們的業務代表或經銷商聯絡。
We apologize for any inconvenience causing from this change, if you have any questions concerning this change, please contact your local sales or UTC's sales representative.

