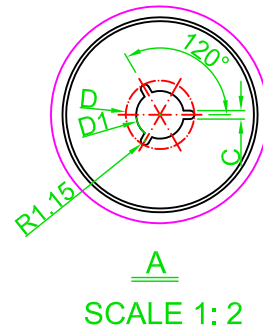
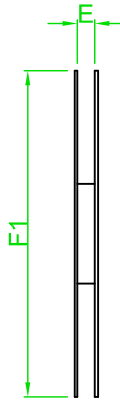
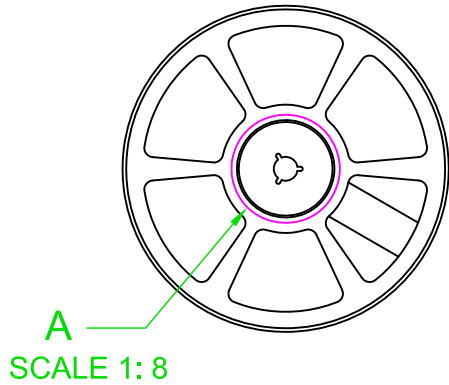
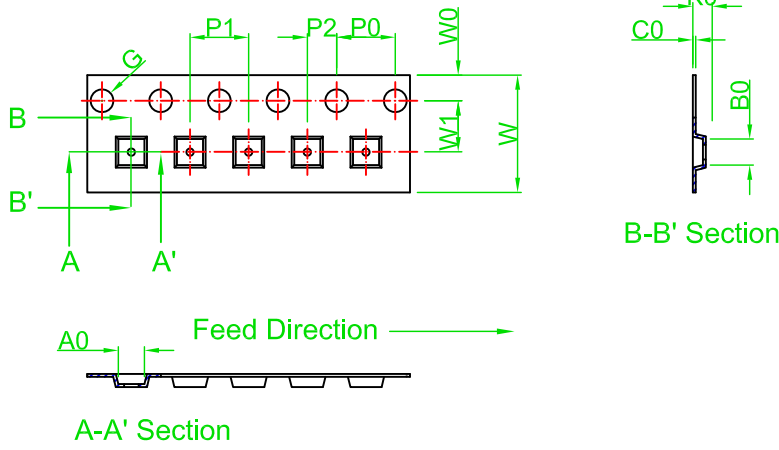
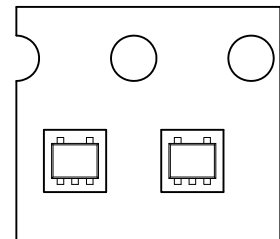


禁用RoHS / REACH/SS00259 之有害物質



Symbol	Dimensions in Millimeters		Dimensions in Inches	
	Min	Max	Min	Max
A0	1.73	1.83	0.068	0.072
B0	1.73	1.83	0.068	0.072
C0	0.15	0.25	0.006	0.010
K0	0.64	0.74	0.025	0.029
W	7.90	8.30	0.311	0.327
W0	1.65	1.85	0.065	0.073
W1	3.45	3.55	0.136	0.140
P0	3.90	4.10	0.154	0.161
P1	3.90	4.10	0.154	0.161
P2	1.95	2.05	0.077	0.081
G	1.50	1.60	0.059	0.063
C	1.50	---	0.059	---
D	20.20	---	0.795	---
D1	---	29.20	---	1.150
E	8.40	9.90	0.331	0.390
F1	176.00	180.00	6.929	7.087

SOT-553 T/R



友順科技股份有限公司
UNISONIC TECHNOLOGIES CO.,LTD

正式發行圖面

SCALE	mm
2:1	0 30
SHEET	THIRD ANGLE PROJECTION
1 of 1	FOR ISSUE
ENG.	ROBO Yu, 2023/08/22
APPR.	Ken Huang, 2023/08/22

REV: A0
PART NO: SOT-553
DWG NO: TAPING-SOT-553-000-A0

TITLE
SOT-553
TAPING

UTC Doc Control Center