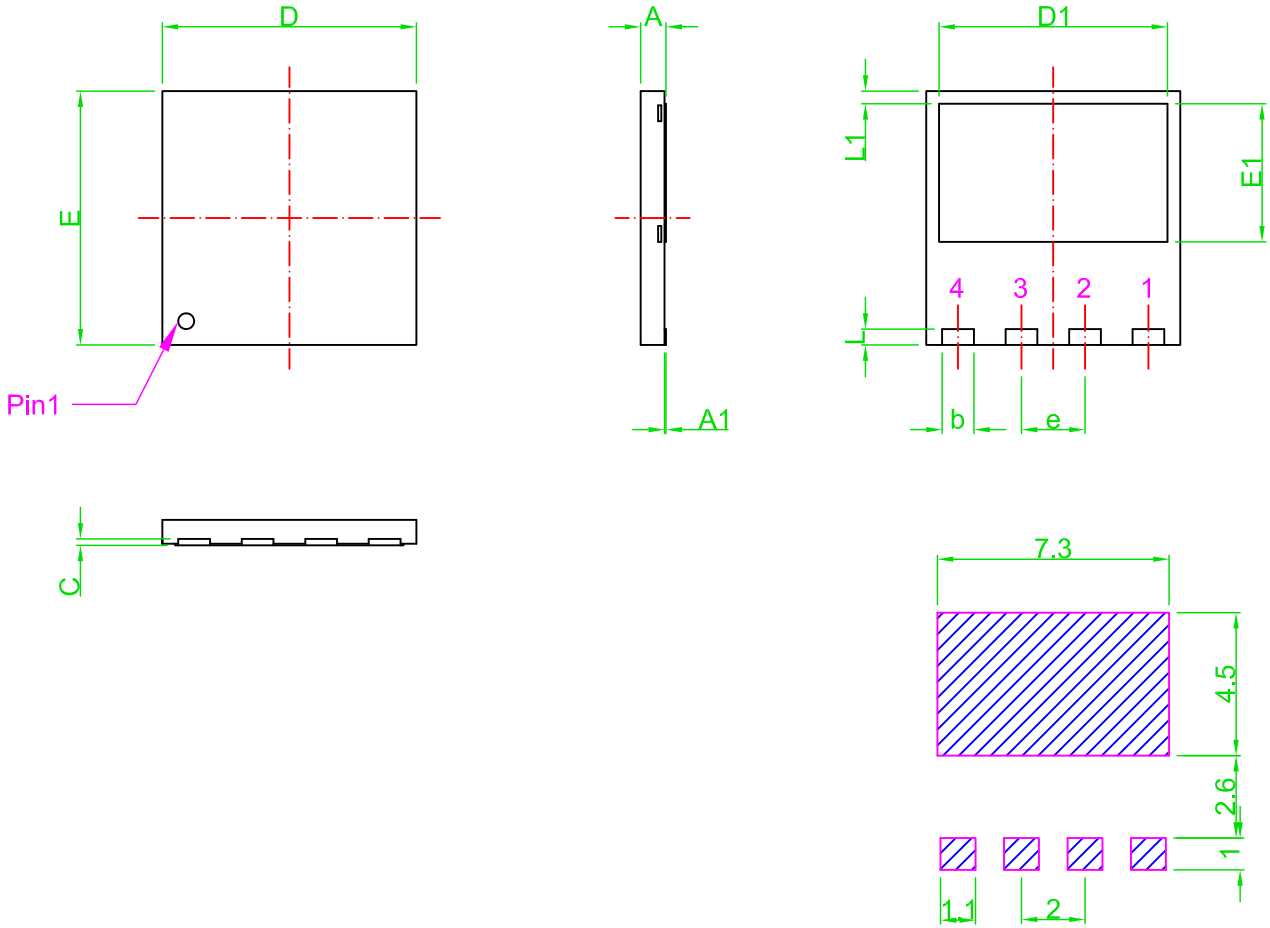


禁用RoHS / REACH/SS00259 之有害物質



Recommended Land Pattern

Symbol	Dimensions in Millimeters		Dimensions in Inches	
	Min	Max	Min	Max
A	0.900	1.100	0.035	0.043
A1	0.000	0.050	0.000	0.002
b	0.900	1.100	0.035	0.043
C	0.100	0.300	0.004	0.012
D	7.900	8.100	0.311	0.319
D1	7.100	7.300	0.280	0.287
E	7.900	8.100	0.311	0.319
E1	4.250	4.350	0.167	0.171
e	2.00 TYP		0.079 TYP	
L	0.400	0.600	0.016	0.024
L1	0.300	0.500	0.012	0.020

1.Coplanarity: 0.05mm max



友順科技股份有限公司
UNISONIC TECHNOLOGIES CO.,LTD

正式發行圖面

SCALE	發行
4 FOR ISSUE	30
SHEET	1 OF 1
ENG.	Bobo Yu
APPR.	Ken Huang

REV: A2
PART NO: X2DFN8080-4
DWG NO: DIM-X2DFN8080-4-000-A2

TITLE
X2DFN8080-4
Package Dimensions

THIRD ANGLE PROJECTION

May 09 2023

文件管理中心

UTC Doc. Control Center

2023/05/06

2023/05/08