



2N150-E4

Preliminary

Power MOSFET

**2.0A, 1500V N-CHANNEL
POWER MOSFET**

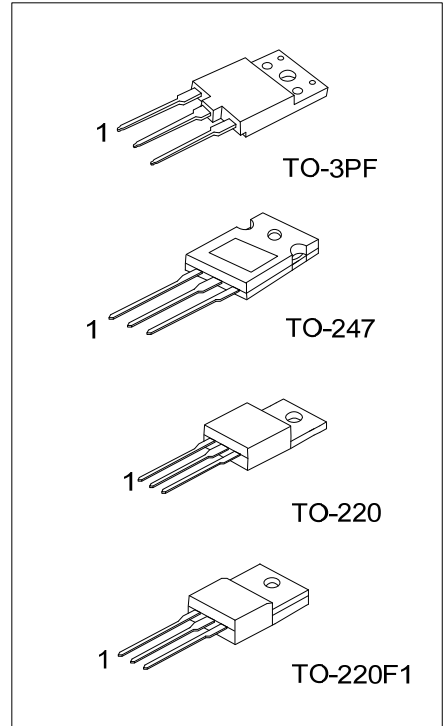
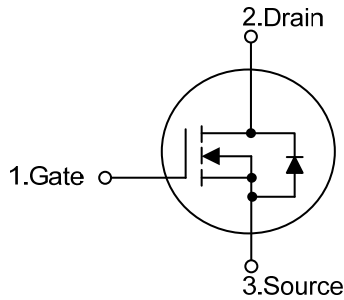
■ DESCRIPTION

The UTC **2N150-E4** provide excellent $R_{DS(ON)}$, low gate charge and operation with low gate voltages. This device is suitable for use as a load switch or in PWM applications.

■ FEATURES

- * $R_{DS(ON)} \leq 10 \Omega @ V_{GS}=10V, I_D=1.0A$
- * Low Reverse Transfer Capacitance
- * Fast Switching Capability
- * Avalanche Energy Specified
- * Improved dv/dt Capability, High Ruggedness

■ SYMBOL



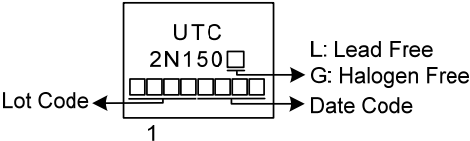
■ ORDERING INFORMATION

Ordering Number		Package	Pin Assignment			Packing
Lead Free	Halogen Free		1	2	3	
2N150L-TA3-T	2N150G-TA3-T	TO-220	G	D	S	Tube
2N150L-TF1-T	2N150G-TF1-T	TO-220F1	G	D	S	Tube
2N150L-TF2-T	2N150G-TF2-T	TO-220F2	G	D	S	Tube
2N150L-T3F-T	2N150G-T3F-T	TO-3PF	G	D	S	Tube
2N150L-T47-T	2N150G-T47-T	TO-247	G	D	S	Tube

Note: Pin Assignment: G: Gate D: Drain S: Source

<p>2N150G-TA3-T</p>	<p>(1) T: Tube (2) TA3: TO-220, TF1: TO-220F1, TF2: TO-220F2, T3F: TO-3PF, T47: TO-247 (3) G: Halogen Free and Lead Free, L: Lead Free</p>
---------------------	---

■ MARKING



■ ABSOLUTE MAXIMUM RATINGS ($T_C=25^\circ\text{C}$, unless otherwise specified)

PARAMETER		SYMBOL	RATINGS	UNIT
Drain-Source Voltage		V_{DSS}	1500	V
Gate-Source Voltage		V_{GSS}	± 30	V
Drain Current	Continuous	I_D	2	A
	Pulsed (Note 2)	I_{DM}	4	A
Avalanche Energy	Single Pulsed (Note 3)	E_{AS}	75	mJ
Peak Diode Recovery dv/dt (Note 4)		dv/dt	2.5	V/ns
Power Dissipation	TO-220	P_D	64	W
	TO-220F1/TO-220F2		16	W
	TO-247		85	W
	TO-3PF		51	W
Junction Temperature		T_J	+150	$^\circ\text{C}$
Storage Temperature		T_{STG}	-55 ~ +150	$^\circ\text{C}$

Notes: 1. Absolute maximum ratings are those values beyond which the device could be permanently damaged.

Absolute maximum ratings are stress ratings only and functional device operation is not implied.

2. Repetitive Rating: Pulse width limited by maximum junction temperature.

3. $L=30\text{mH}$, $I_{AS}=2.25\text{A}$, $V_{DD}=120\text{V}$, $R_G=25\ \Omega$, Starting $T_J = 25^\circ\text{C}$

4. $I_{SD} \leq 2.0\text{A}$, $di/dt \leq 200\text{A}/\mu\text{s}$, $V_{DD} \leq BV_{DSS}$, Starting $T_J = 25^\circ\text{C}$

■ THERMAL DATA

PARAMETER		SYMBOL	RATING	UNIT
Junction to Ambient	TO-220/TO-220F1	θ_{JA}	62.5	$^\circ\text{C/W}$
	TO-220F2			
	TO-247			
	TO-3PF			
Junction to Case	TO-220	θ_{JC}	1.95	$^\circ\text{C/W}$
	TO-220F1/TO-220F2		7.8	$^\circ\text{C/W}$
	TO-247		1.47	$^\circ\text{C/W}$
	TO-3PF		2.45	$^\circ\text{C/W}$

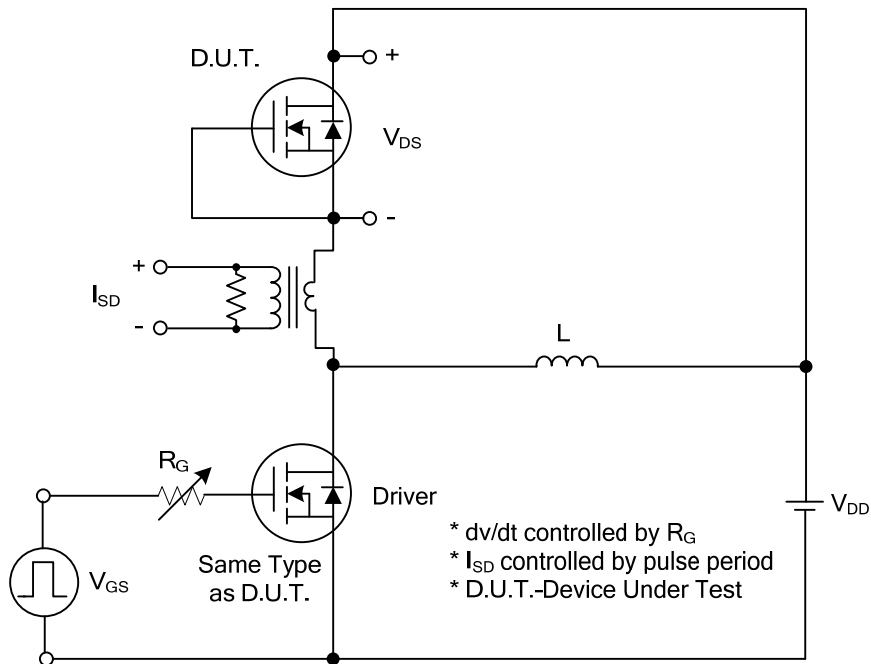
■ ELECTRICAL CHARACTERISTICS (T_J=25°C, unless otherwise specified)

PARAMETER	SYMBOL	TEST CONDITIONS	MIN	TYP	MAX	UNIT
OFF CHARACTERISTICS						
Drain-Source Breakdown Voltage	BV _{DSS}	V _{GS} =0V, I _D =250μA	1500			V
Drain-Source Leakage Current	I _{DSS}	V _{DS} =1500V, V _{GS} =0V			10	μA
Gate-Source Leakage Current	I _{GSS}	V _{GS} =±30V, V _{DS} =0V			±100	nA
ON CHARACTERISTICS						
Gate Threshold Voltage	V _{GS(TH)}	V _{DS} =V _{GS} , I _D =250μA	3.0		5.0	V
Static Drain-Source On-State Resistance	R _{DS(ON)}	V _{GS} =10V, I _D =1.0A			10	Ω
DYNAMIC CHARACTERISTICS						
Input Capacitance	C _{ISS}	V _{DS} =25V, V _{GS} =0V, f=1MHz		640		pF
Output Capacitance	C _{OSS}			64		pF
Reverse Transfer Capacitance	C _{RSS}			21		pF
SWITCHING CHARACTERISTICS						
Total Gate Charge (Note 1)	Q _G	V _{DS} =1200V, V _{GS} =10V, I _D =2.0A (Note 1, 2)		36		nC
Gate-Source Charge	Q _{GS}			10		nC
Gate-Drain Charge	Q _{GD}			15		nC
Turn-On Delay Time (Note 1)	t _{D(ON)}	V _{DD} =100V, V _{GS} =10V, I _D =2.0A, R _G =25Ω (Note 1, 2)		8.8		ns
Turn-On Rise Time	t _R			17.5		ns
Turn-Off Delay Time	t _{D(OFF)}			45		ns
Turn-Off Fall Time	t _F			55		ns
SOURCE- DRAIN DIODE RATINGS AND CHARACTERISTICS						
Maximum Continuous Drain-Source Diode Forward Current	I _S				2	A
Maximum Pulsed Drain-Source Diode Forward Current	I _{SM}				4	A
Drain-Source Diode Forward Voltage (Note 1)	V _{SD}	I _S =2.0A, V _{GS} =0V			1.4	V
Body Diode Reverse Recovery Time (Note 1)	t _{rr}	I _S =2.0A, V _{GS} =0V, dI _F /dt=100A/μs		700		nS
Body Diode Reverse Recovery Charge	Q _{rr}				5.2	

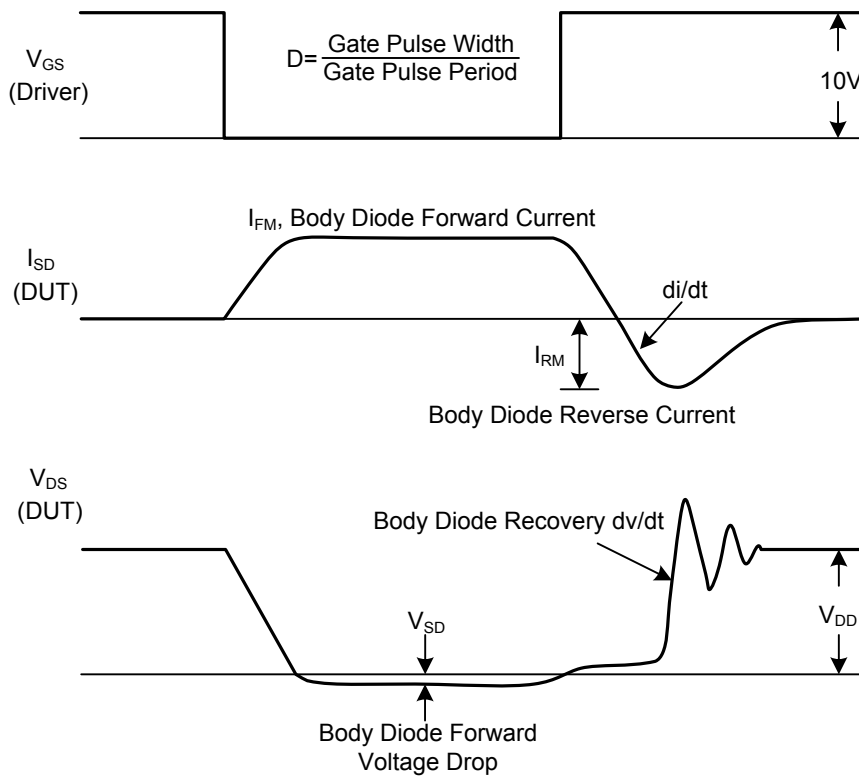
Notes: 1. Pulse Test: Pulse width ≤ 300μs, Duty cycle ≤ 2%.

2. Essentially independent of operating temperature.

■ TEST CIRCUITS AND WAVEFORMS

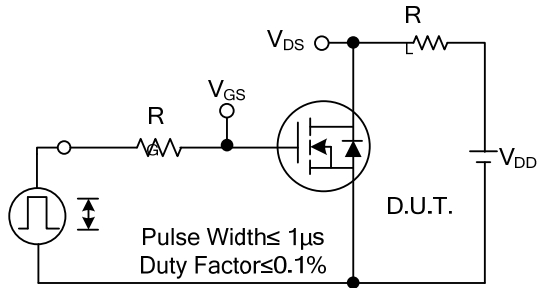


Peak Diode Recovery dv/dt Test Circuit

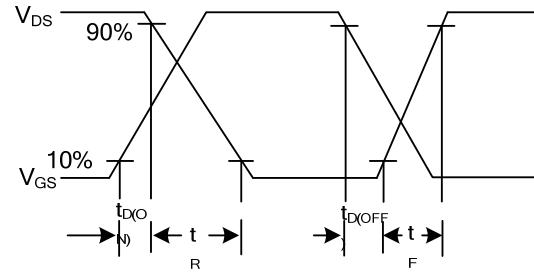


Peak Diode Recovery dv/dt Waveforms

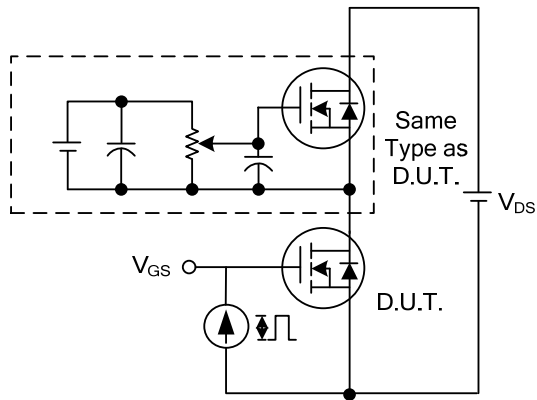
■ TEST CIRCUITS AND WAVEFORMS



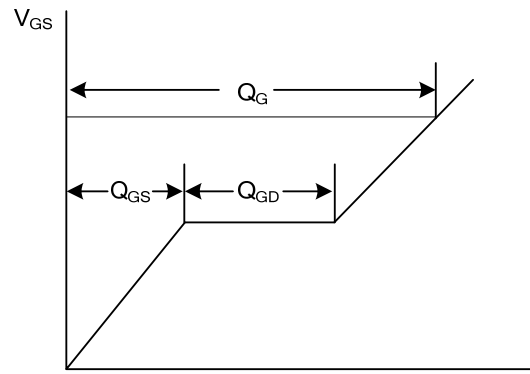
Switching Test Circuit



Switching Waveforms

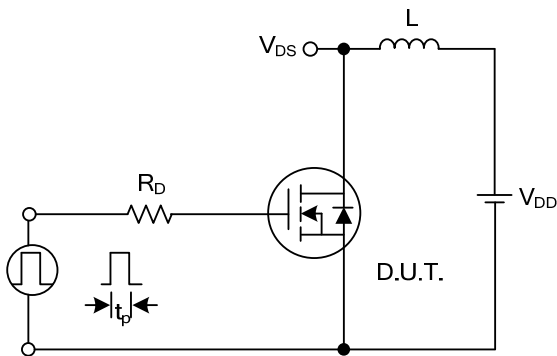


Gate Charge Test Circuit

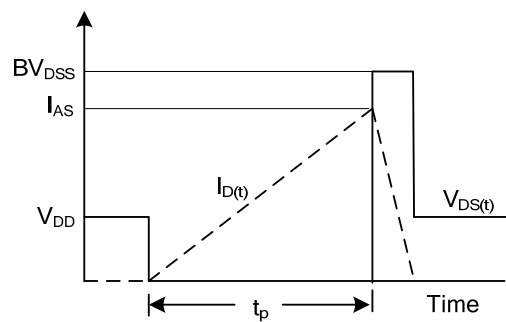


Charge

Gate Charge Waveform



Unclamped Inductive Switching Test Circuit



Unclamped Inductive Switching Waveforms

UTC assumes no responsibility for equipment failures that result from using products at values that exceed, even momentarily, rated values (such as maximum ratings, operating condition ranges, or other parameters) listed in products specifications of any and all UTC products described or contained herein. UTC products are not designed for use in life support appliances, devices or systems where malfunction of these products can be reasonably expected to result in personal injury. Reproduction in whole or in part is prohibited without the prior written consent of the copyright owner. UTC reserves the right to make changes to information published in this document, including without limitation specifications and product descriptions, at any time and without notice. This document supersedes and replaces all information supplied prior to the publication hereof.

