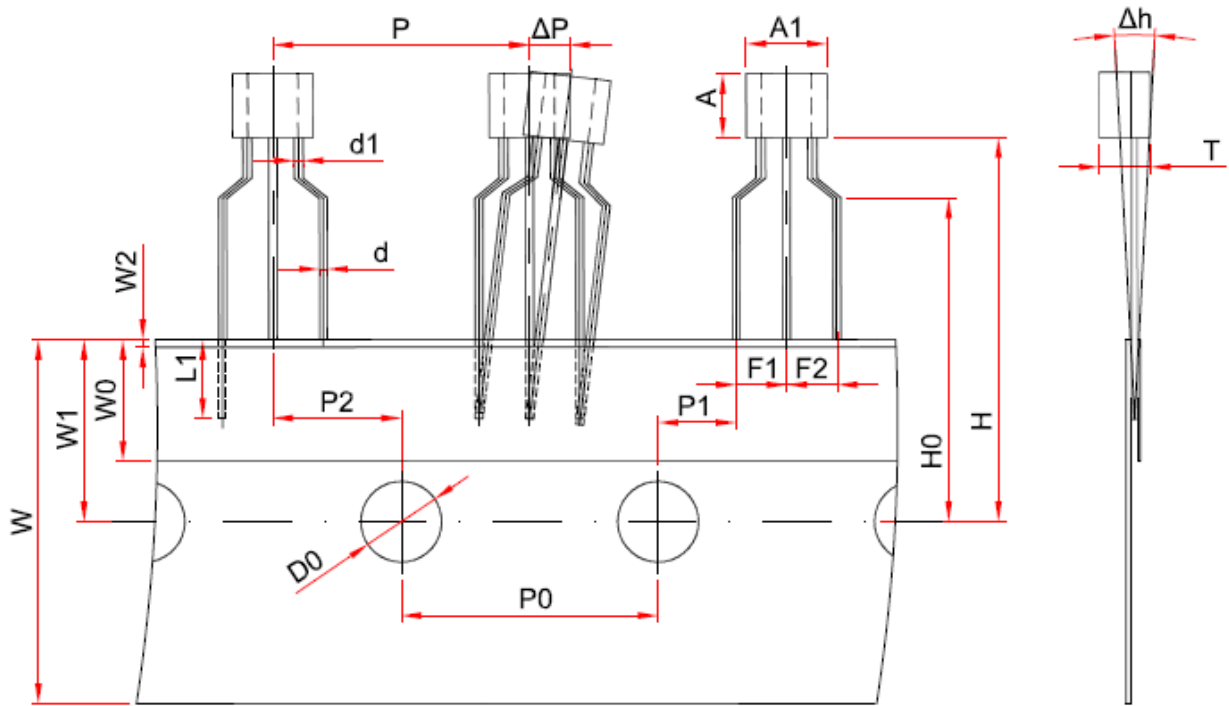


禁用RoHS / REACH/SS00259 之有害物質



Symbol	Dimensions in Millimeters		Dimensions in Inches	
	Min	Max	Min	Max
A1	3.90	4.10	0.154	0.161
A	3.05	3.25	0.120	0.128
d	0.33	0.43	0.013	0.017
d1	0.41	0.51	0.016	0.020
T	1.42	1.62	0.056	0.064
P	12.40	13.00	0.488	0.512
P0	12.50	12.90	0.492	0.508
P1	3.55	4.15	0.140	0.163
P2	6.05	6.65	0.238	0.262
F1	2.20	2.80	0.087	0.110
F2	2.20	2.80	0.087	0.110
Δh	-1.00	1.00	-0.039	0.039
W	17.50	19.00	0.689	0.748
W0	5.50	6.50	0.217	0.256
W1	8.50	9.50	0.335	0.374
W2	---	1.00	---	0.039
H	19.00	21.00	0.748	0.827
H0	15.50	16.50	0.610	0.650
L1	2.50	---	0.098	---
D0	3.80	4.20	0.150	0.165
ΔP	-1.00	1.00	-0.039	0.039



友順科技股份有限公司
UNISONIC TECHNOLOGIES CO.,LTD

正式發行圖面

SCALE	1:1	mm
SHEET	FOR ISSUE	THIRD ANGLE PROJECTION
of	JAN 14 2014	
ENG.	Henry Hsiao	2013/12/26
APPR.	Henry Hsiao	2013/12/26

REV: A0
PART NO: TO-92SP
DWG NO: TAPING BOX-TO92SP-000-A0

TITLE
TO-92SP Taping Box