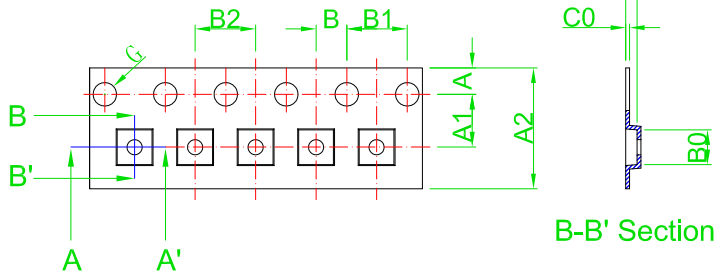
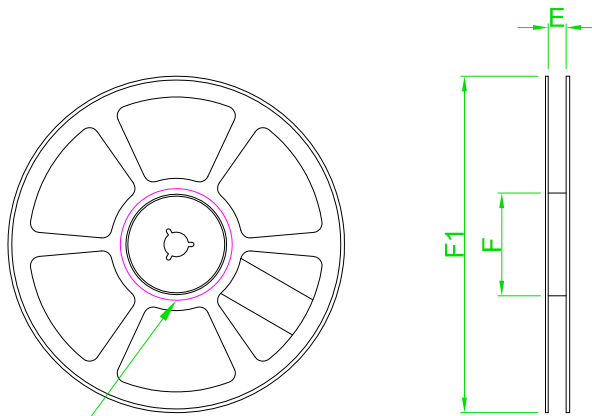
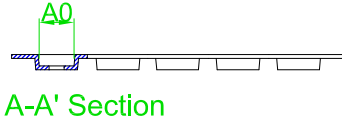


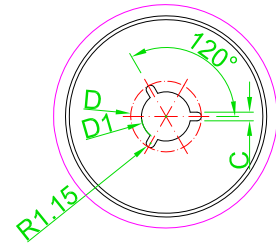
禁用RoHS / REACH/SS00259 之有害物質



Feed Direction →



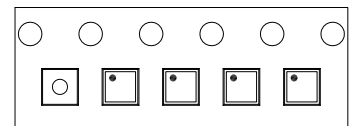
A
SCALE 1: 8



A
SCALE 1: 2

Symbol	Dimensions in Millimeters		Dimensions in Inches	
	Min	Max	Min	Max
A	1.65	1.85	0.065	0.073
A1	3.45	3.55	0.136	0.140
A2	7.90	8.30	0.311	0.327
B	1.95	2.05	0.077	0.081
B1	3.90	4.10	0.154	0.161
B2	3.90	4.10	0.154	0.161
C	1.50	3.00	0.059	0.118
D	18.30	19.10	0.720	0.752
D1	12.50	13.50	0.492	0.531
E	8.60	9.60	0.339	0.378
F	59.00	61.00	2.323	2.402
F1	177.00	183.00	6.969	7.205
G	1.50	1.60	0.059	0.063
A0	2.20	2.40	0.087	0.094
B0	2.20	2.40	0.087	0.094
C0	0.20	0.30	0.008	0.012
K0	1.05	1.15	0.041	0.045

DFN-6B(2X2)



友順科技股份有限公司
UNISONIC TECHNOLOGIES CO.,LTD

正式發行圖面

SCALE	mm
2:發	0 30
SHEET	FOR THIRD ANGLE PROJECTION
1 of 1	FOR ISSUE
of	Aug 21 2015
ENG.	Angus Chang 2015/8/17
APPR.	Ken Lin 2015/8/18

REV: A0
PART NO:DFN-6B(2X2)
DWG NO:TAPING-DFN-6B(2X2)-000-A0

TITLE
DFN-6B (2X2)
TAPING