



WIDE OPERATING VOLTAGE RANGE REGULATOR TRANSISTOR

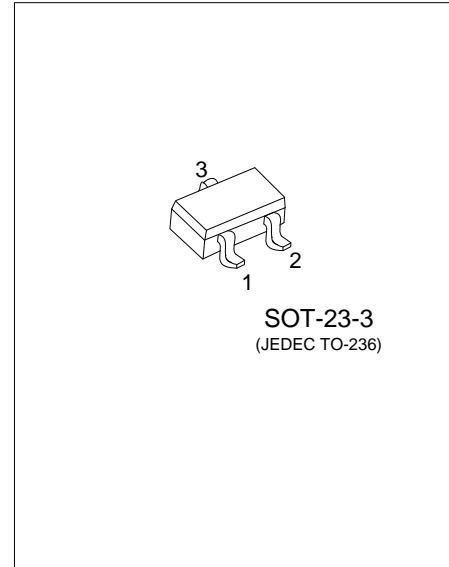
DESCRIPTION

The IC is a wide operating range regulator transistor of fixed output voltage 24V (when $V_{CC} \geq 25V$).

Internal Res is 10kohm/20kohm.

FEATURES

- * Operating voltage range: 8V ~ 80V
- * Output voltage: 24V @ 25°C & $V_{CC} \geq 25V$
- * Output voltage: about $V_{CC}-0.8V$ @ 25°C & $V_{CC} < 25V$

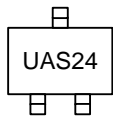


ORDERING INFORMATION

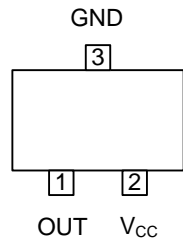
Ordering Number		Package	Packing
Lead Free	Halogen Free		
UAS24VL-AE2-R	UAS24VG-AE2-R	SOT-23-3	Tape Reel

<p>UAS24VG-AE2-R</p> <p>(1)Packing Type (2)Package Type (3)Green Package</p>	<p>(1) R: Tape Reel (2) AE2: SOT-23-3 (3) G: Halogen Free and Lead Free, L: Lead Free</p>
--	---

MARKING



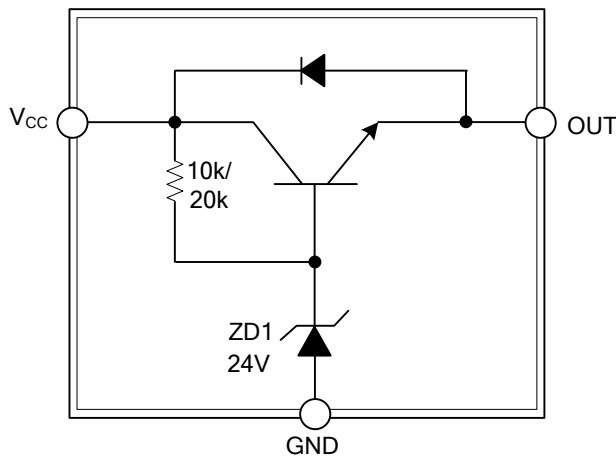
■ PIN CONFIGURATIONS



■ PIN DESCRIPTION

PIN NO.	PIN NAME	DESCRIPTION
1	OUT	Output
2	V _{cc}	Power Supply
3	GND	Ground

■ BLOCK DIAGRAM



■ ABSOLUTE MAXIMUM RATING

PARAMETER	SYMBOL	RATINGS	UNIT
Input Voltage	V _{CC}	80	V
Output Current	I _o	0.055	A
Operating Temperature	T _J	-40 ~ +150	°C
Storage Temperature	T _{STG}	-40 ~ +150	°C

Note: Absolute maximum ratings are those values beyond which the device could be permanently damaged. Absolute maximum ratings are stress ratings only and functional device operation is not implied.

■ ELECTRICAL CHARACTERISTICS (All voltage referenced to GND unless otherwise specified)

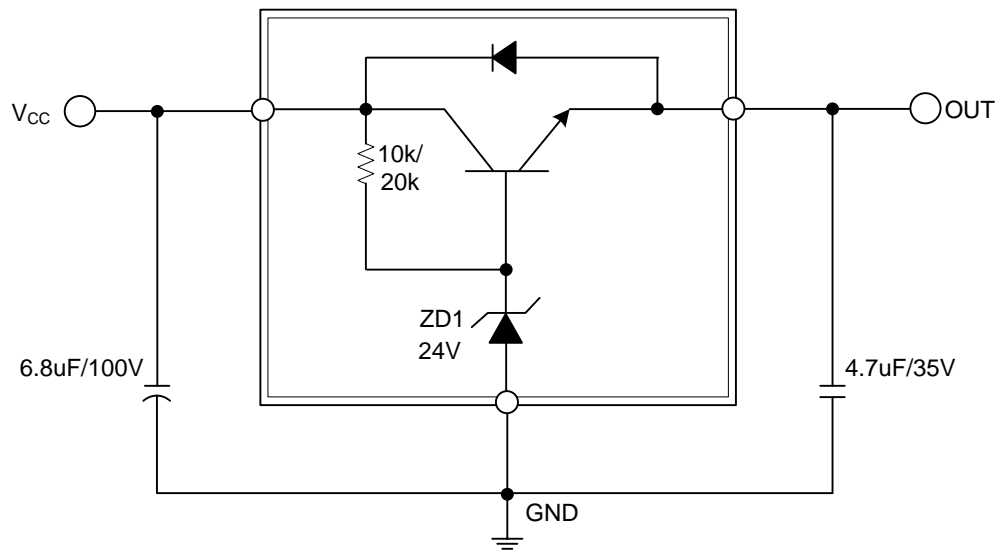
Internal Res=10kΩ

PARAMETER	SYMBOL	TEST CONDITIONS	MIN	TYP	MAX	UNIT
Power Supply Current	I _{CC}	V _{CC} =30V, I _o =0	0.3	0.6	0.825	mA
		V _{CC} =80V, I _o =0	0.28	5.6	7.7	mA
Output Voltage	V _{OUT}	V _{CC} =30V, I _{OUT} =20mA	22.8	24	25.2	V
		V _{CC} =40V, I _{OUT} =40mA	22.8	24.2	25.2	V
		V _{CC} =80V, I _{OUT} =20mA	22.8	24.5	25.2	V

Internal Res=20kΩ

PARAMETER	SYMBOL	TEST CONDITIONS	MIN	TYP	MAX	UNIT
Power Supply Current	I _{CC}	V _{CC} =30V	0.15	0.3	0.41	mA
		V _{CC} =80V	1.4	2.8	3.85	mA
Output Voltage	V _{OUT}	V _{CC} =30V, I _{OUT} =20mA	22.8	24	25.2	V
		V _{CC} =40V, I _{OUT} =40mA	22.8	24.1	25.2	V
		V _{CC} =80V, I _{OUT} =20mA	22.8	24.4	25.2	V

■ TYPICAL APPLICATION CIRCUIT



UTC assumes no responsibility for equipment failures that result from using products at values that exceed, even momentarily, rated values (such as maximum ratings, operating condition ranges, or other parameters) listed in products specifications of any and all UTC products described or contained herein. UTC products are not designed for use in life support appliances, devices or systems where malfunction of these products can be reasonably expected to result in personal injury. Reproduction in whole or in part is prohibited without the prior written consent of the copyright owner. UTC reserves the right to make changes to information published in this document, including without limitation specifications and product descriptions, at any time and without notice. This document supersedes and replaces all information supplied prior to the publication hereof.