



## U74AHCT126

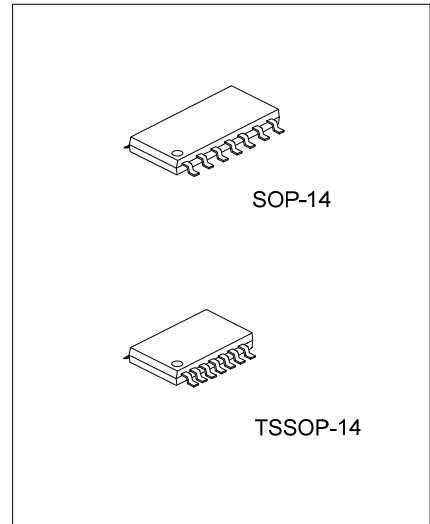
CMOS IC

### QUADRUPLE BUS BUFFER GATES WITH 3-STATE OUTPUTS

#### DESCRIPTION

The **U74AHCT126** are quadruple bus buffer gates featuring independent line drivers with 3-state outputs. When OE is low, the nY outputs are in a high-impedance state. When OE is high, the device passes noninverted data from the nA input to its nY output.

To ensure the high-impedance state during power up or power down, OE should be tied to GND through a pull-down resistor; the minimum value of the resistor is determined by the current-sourcing capability of the driver.



#### FEATURES

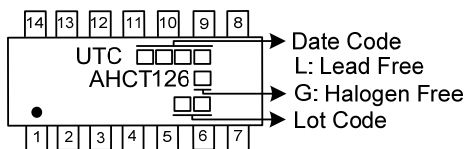
- \* TTL-Voltage compatible
- \* Max  $t_{PD}$  of 7.5 ns from A to Y at  $V_{CC} = 5V$ ,  $C_L = 50pF$
- \* Low power consumption,  $I_{CC} = 2\mu A$  (Max) at 5.5V
- \*  $\pm 8mA$  output driver at 5V

#### ORDERING INFORMATION

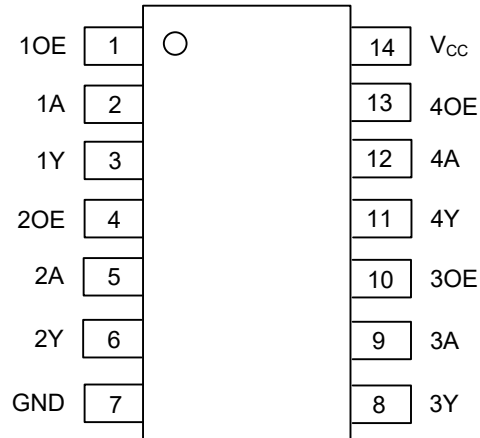
Ordering Number		Package	Packing
Lead Free	Halogen Free		
U74AHCT126L-P14-R	U74AHCT126G-P14-R	SOP-14	Tape Reel
U74AHCT126L-S14-R	U74AHCT126G-S14-R	TSSOP-14	Tape Reel

<p>U74AHCT126G-S14-R</p> <p>(1) Packing Type (2) Package Type (3) Green Package</p>	<p>(1) R: Tape Reel (2) S14: SOP-14, P14: TSSOP-14 (3) G: Halogen Free and Lead Free, L: Lead Free</p>
---	--

#### MARKING



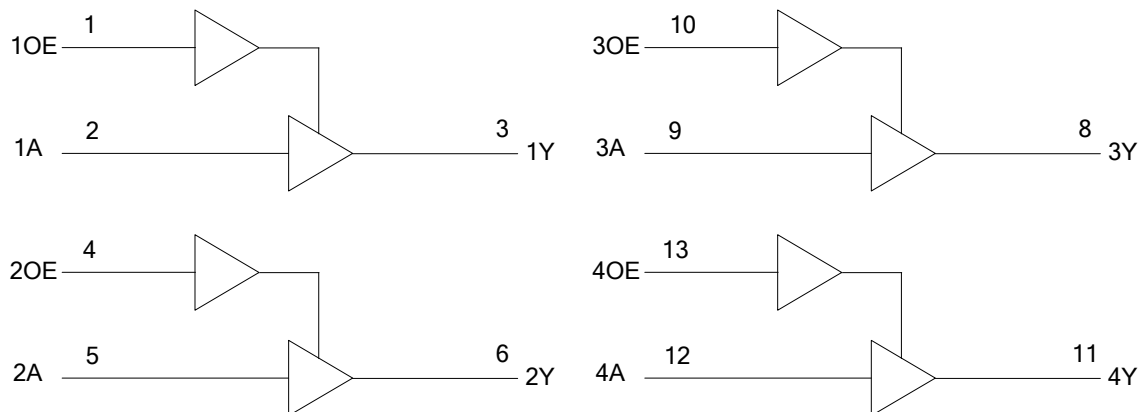
■ PIN CONFIGURATION



■ FUNCTION TABLE

INPUT		OUTPUT
OE	A	Y
H	H	H
H	L	L
L	X	Z

■ LOGIC DIAGRAM



■ ABSOLUTE MAXIMUM RATING (Unless otherwise specified)

PARAMETER	SYMBOL	RATINGS	UNIT
Supply Voltage	$V_{CC}$	-0.5 ~ 7	V
Input Voltage	$V_{IN}$	-0.5 ~ 7	V
Output Voltage	$V_{OUT}$	-0.5 ~ $V_{CC} + 0.5$	V
Input Clamp Current ( $V_{IN} < 0$ )	$I_{IK}$	-20	mA
Output Clamp Current ( $V_{OUT} < 0$ , or $V_{OUT} > V_{CC}$ )	$I_{OK}$	$\pm 20$	mA
Output Current	$I_{OUT}$	$\pm 25$	mA
$V_{CC}$ or GND Current	$I_{CC}$	$\pm 50$	mA
Storage Temperature	$T_{STG}$	-65 ~ +150	$^{\circ}C$

Notes: 1. Absolute maximum ratings are those values beyond which the device could be permanently damaged. Absolute maximum ratings are stress ratings only and functional device operation is not implied.

2. The input and output voltage ratings may be exceeded if the input and output current ratings are observed.

■ RECOMMENDED OPERATING CONDITIONS (Unless otherwise specified)

PARAMETER	SYMBOL	MIN	TYP	MAX	UNIT
Supply Voltage	$V_{CC}$	4.5		5.5	V
High-Level Input Voltage	$V_{IH}$	2			V
Low-Level Input Voltage	$V_{IL}$			0.8	V
Input Voltage	$V_{IN}$	0		5.5	V
Output Voltage	$V_{OUT}$	0		$V_{CC}$	V
High-level Output Current	$I_{OH}$			-8	$\mu A$
Low-level Output Current	$I_{OL}$			8	$\mu A$
Input Transition Rise or Fall Rate	$\Delta t / \Delta V$			20	ns/V
Operating Temperature	$T_A$	-40		+125	$^{\circ}C$

■ THERMAL DATA

PARAMETER	SYMBOL	RATINGS	UNIT
Junction to Ambient	SOP-14	80	$^{\circ}C/W$
	TSSOP-14	120	$^{\circ}C/W$

■ ELECTRICAL CHARACTERISTICS (Unless otherwise specified)

PARAMETER	SYMBOL	TEST CONDITIONS	MIN	TYP	MAX	UNIT
High-Level Output Voltage	$V_{OH}$	$I_{OH} = -50\mu A, V_{CC} = 4.5V$	4.4	4.5		V
		$I_{OH} = -8mA, V_{CC} = 4.5V$	3.94			
Low-Level Output Voltage	$V_{OL}$	$I_{OL} = 50\mu A, V_{CC} = 4.5V$			0.1	V
		$I_{OL} = 8mA, V_{CC} = 4.5V$			0.36	
Input Leakage Current (A or OE input)	$I_{I(LEAK)}$	$V_{IN} = 5.5V$ or GND, $V_{CC} = 0$ to 5.5V			$\pm 0.1$	$\mu A$
High-impedance state Current	$I_{OZ}$	$V_{OUT} = V_{CC}$ or GND, $V_{CC} = 5.5V$			$\pm 0.25$	$\mu A$
Quiescent Supply Current	$I_{CC}$	$V_{IN} = V_{CC}$ or GND, $I_{OUT} = 0$ , $V_{CC} = 5.5V$			2	$\mu A$
Additional quiescent Supply Current	$\Delta I_{CC}$	One input at 3.4V, $V_{CC} = 5.5V$ , other inputs at $V_{CC}$ or GND			1.35	mA
Input Capacitance	$C_{IN}$	$V_{IN} = V_{CC}$ or GND, $V_{CC} = 5V$		4	10	pF
Output Capacitance	$C_{OUT}$	$V_O = V_{CC}$ or GND, $V_{CC} = 5V$		15		pF

■ SWITCHING CHARACTERISTICS ( $V_{CC}=5V\pm 0.5V$ ,  $R_L=1k\Omega$ , unless otherwise specified)

PARAMETER	SYMBOL	TEST CONDITIONS	MIN	TYP	MAX	UNIT
Propagation Delay from Input A to Output Y, $t_{PD}$	$t_{PLH}$	$C_L=15pF$		3.8	5.5	ns
		$C_L=50pF$		5.3	7.5	
	$t_{PHL}$	$C_L=15pF$		3.8	5.5	ns
		$C_L=50pF$		5.3	7.5	
Propagation Delay from Input OE to Output Y, $t_{EN}$	$t_{PZH}$	$C_L=15pF$		3.6	5.1	ns
		$C_L=50pF$		5.1	7.1	
	$t_{PZL}$	$C_L=15pF$		3.6	5.1	ns
		$C_L=50pF$		5.1	7.1	
Propagation delay from input OE to output Y, $t_{DIS}$	$t_{PHZ}$	$C_L=15pF$		4.6	6.8	ns
		$C_L=50pF$		6.1	8.8	
	$t_{PLZ}$	$C_L=15pF$		4.6	6.8	ns
		$C_L=50pF$		6.1	8.8	
Skew Between any Two Outputs of the Same Package Switching in the Same Direction	$T_{SK(O)}$	$C_L=50pF$			1	ns

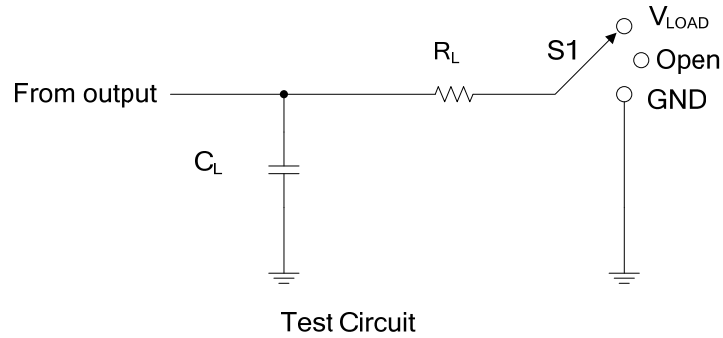
■ NOISE CHARACTERISTICS ( $T_A=25^\circ C$ , unless otherwise specified)

PARAMETER	SYMBOL	TEST CONDITIONS	MIN	TYP	MAX	UNIT
Quiet Output, Maximum Dynamic $V_{OL}$	$V_{OL(P)}$	$V_{CC}=5V$ , $C_L=50pF$			0.8	V
Quiet Output, Minimum Dynamic $V_{OL}$	$V_{OL(V)}$	$V_{CC}=5V$ , $C_L=50pF$			-0.8	V
Quiet Output, Minimum Dynamic $V_{OH}$	$V_{OH(V)}$	$V_{CC}=5V$ , $C_L=50pF$	4.4			V
High-Level Dynamic Input Voltage	$V_{IH(D)}$	$V_{CC}=5V$ , $C_L=50pF$	2			V
Low-Level Dynamic Input Voltage	$V_{IL(D)}$	$V_{CC}=5V$ , $C_L=50pF$			0.8	V

■ OPERATING CHARACTERISTICS ( $T_A=25^\circ C$ , unless otherwise specified)

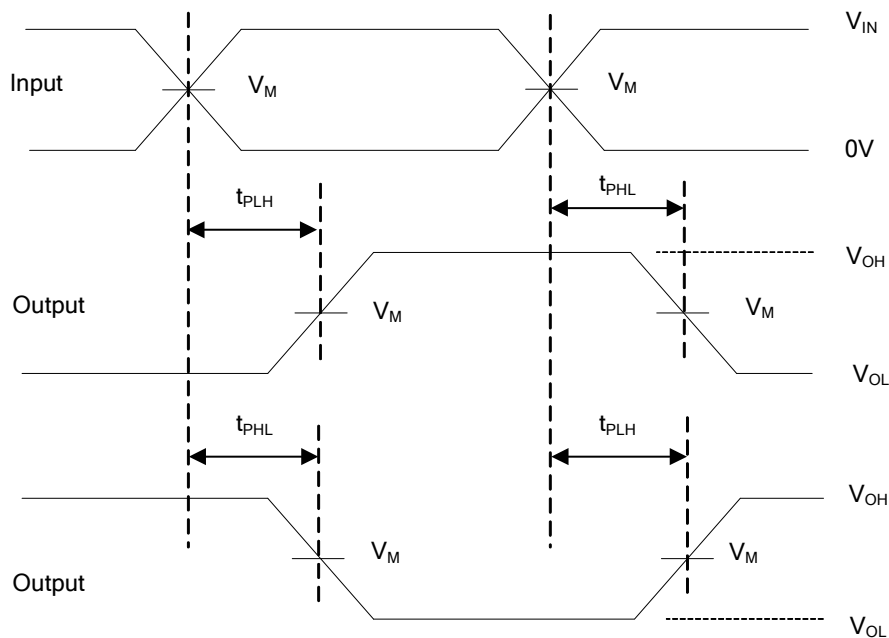
PARAMETER	SYMBOL	TEST CONDITIONS	MIN	TYP	MAX	UNIT
Power Dissipation Capacitance	$C_{PD}$	$V_{CC}=5V$ , $f=1MHz$ , No load		14		pF

■ TEST CIRCUIT AND WAVEFORMS



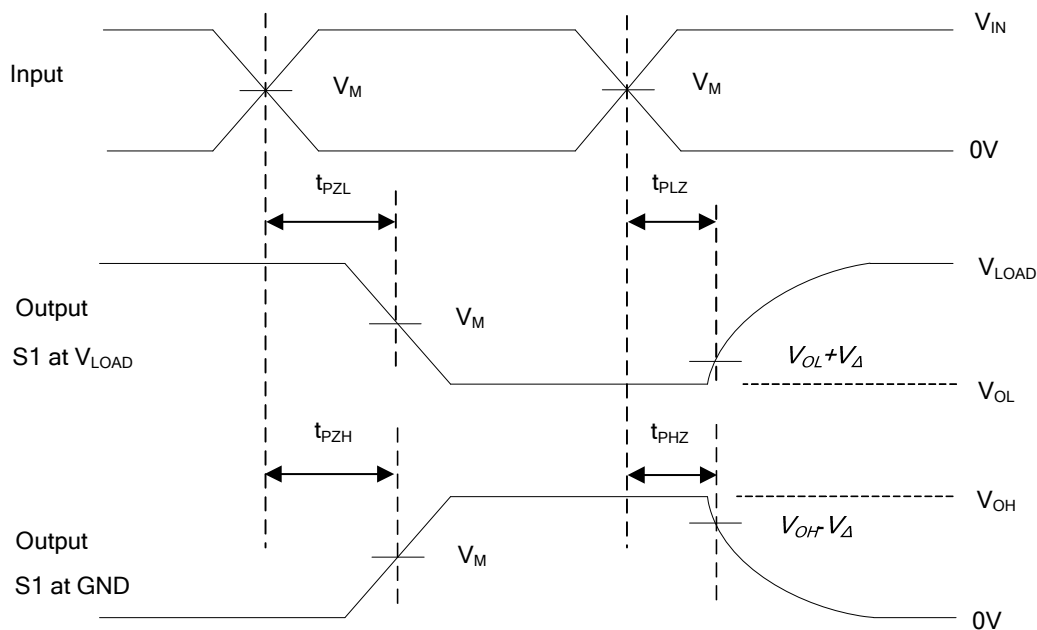
TEST	S1
$t_{PLH}/t_{PHL}$	Open
$t_{PLZ}/t_{PZL}$	$V_{LOAD}$
$t_{PHZ}/t_{PZH}$	GND

$V_{CC}$	Input		$V_M$	$V_{LOAD}$	$C_L$	$R_L$	$V_{\Delta}$
	$V_{IN}$	$t_R, t_F$					
5V±0.5V	$V_{CC}$	≤3ns	$V_{CC}/2$	$V_{CC}$	15pF	1kΩ	0.5V
					50pF		



Voltage Waveforms Propagation Delay Times

■ TEST CIRCUIT AND WAVEFORMS (Cont.)



Voltage Waveforms Enable and Disable Times

Notes: 1. C<sub>L</sub> includes probe and jig capacitance.

2. All input pulses are supplied by generators having the following characteristics: PRR ≤ 1MHz, Z<sub>O</sub> = 50Ω.

UTC assumes no responsibility for equipment failures that result from using products at values that exceed, even momentarily, rated values (such as maximum ratings, operating condition ranges, or other parameters) listed in products specifications of any and all UTC products described or contained herein. UTC products are not designed for use in life support appliances, devices or systems where malfunction of these products can be reasonably expected to result in personal injury. Reproduction in whole or in part is prohibited without the prior written consent of the copyright owner. UTC reserves the right to make changes to information published in this document, including without limitation specifications and product descriptions, at any time and without notice. This document supersedes and replaces all information supplied prior to the publication hereof.