



18N50-C

Power MOSFET

18A, 500V N-CHANNEL POWER MOSFET

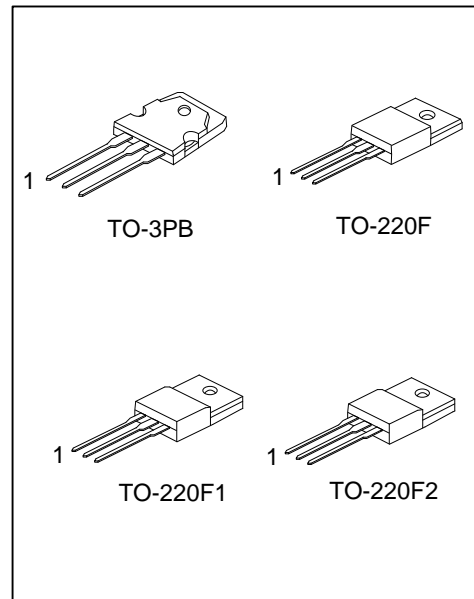
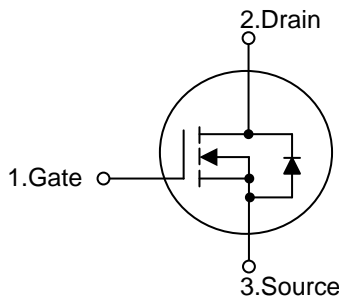
DESCRIPTION

The UTC 18N50-C provide excellent $R_{DS(ON)}$, low gate charge and operation with low gate voltages. This device is suitable for use as a load switch or in PWM applications.

FEATURES

- * $R_{DS(ON)} \leq 0.3 \Omega @ V_{GS}=10V, I_D=9.0A$
- * Fast Switching Capability
- * Avalanche Energy Specified

SYMBOL



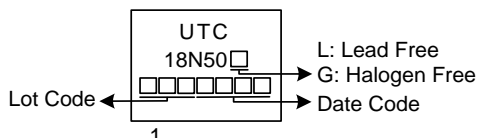
ORDERING INFORMATION

Ordering Number		Package	Pin Assignment			Packing
Lead Free	Halogen-Free		1	2	3	
18N50L-TF1-T	18N50G-TF1-T	TO-220F1	G	D	S	Tube
18N50L-TF2-T	18N50G-TF2-T	TO-220F2	G	D	S	Tube
18N50L-TF3-T	18N50G-TF3-T	TO-220F	G	D	S	Tube
18N50L-T3B-T	18N50G-T3B-T	TO-3PB	G	D	S	Tube

Note: Pin Assignment: G: Gate D: Drain S: Source

<p>18N50G-TF1-T</p>	<p>(1) T: Tube (2) TF1: TO-220F1, TF2: TO-220F2, TF3: TO-220F T3B: TO-3PB (3) G: Halogen Free and Lead Free, L: Lead Free</p>
---------------------	--

MARKING



■ **ABSOLUTE MAXIMUM RATINGS** ($T_C = 25^\circ\text{C}$, unless otherwise specified)

PARAMETER		SYMBOL	RATINGS	UNIT
Drain-Source Voltage		V_{DSS}	500	V
Gate-Source Voltage		V_{GSS}	± 30	V
Drain Current	Continuous	I_D	18	A
	Pulsed (Note 2)	I_{DM}	36	A
Avalanche Energy	Single Pulsed (Note 3)	E_{AS}	780	mJ
Peak Diode Recovery dv/dt (Note 4)		dv/dt	3.4	V/ns
Power Dissipation	TO-220/TO-220F1	P_D	42	W
	TO-220F2			
	TO-3PB		215	W
Junction Temperature		T_J	+150	$^\circ\text{C}$
Storage Temperature		T_{STG}	-55 ~ +150	$^\circ\text{C}$

Notes: 1. Absolute maximum ratings are those values beyond which the device could be permanently damaged.

Absolute maximum ratings are stress ratings only and functional device operation is not implied.

2. Repetitive Rating : Pulse width limited by maximum junction temperature.

3. $L=10\text{mH}$, $I_{AS}=12.5\text{A}$, $V_{DD}=50\text{V}$, $R_G=25\ \Omega$, Starting $T_J = 25^\circ\text{C}$

4. $I_{SD} \leq 18\text{A}$, $di/dt \leq 200\text{A}/\mu\text{s}$, $V_{DD} \leq BV_{DSS}$, Starting $T_J = 25^\circ\text{C}$

■ **THERMAL DATA**

PARAMETER		SYMBOL	RATINGS	UNIT
Junction to Ambient	TO-220/TO-220F1	θ_{JA}	62.5	$^\circ\text{C}/\text{W}$
	TO-220F2			
	TO-3PB		40	$^\circ\text{C}/\text{W}$
Junction to Case	TO-220/TO-220F1	θ_{JC}	2.97	$^\circ\text{C}/\text{W}$
	TO-220F2			
	TO-3PB		0.58	$^\circ\text{C}/\text{W}$

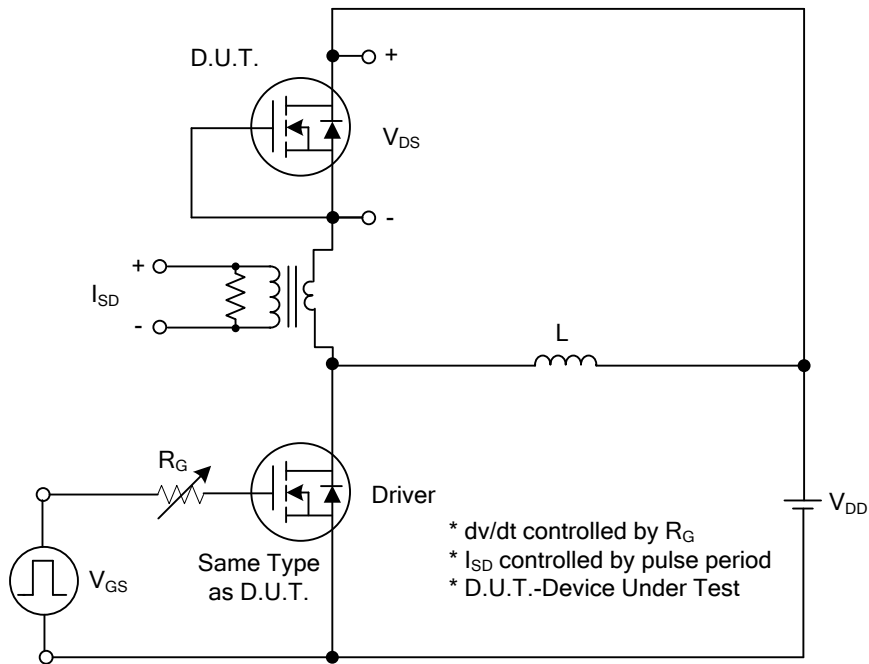
■ **ELECTRICAL CHARACTERISTICS** ($T_J = 25^\circ\text{C}$, unless otherwise specified)

PARAMETER	SYMBOL	TEST CONDITIONS	MIN	TYP	MAX	UNIT
OFF CHARACTERISTICS						
Drain-Source Breakdown Voltage	BV_{DSS}	$V_{GS}=0V, I_D=250\mu A$	500			V
Drain-Source Leakage Current	I_{DSS}	$V_{DS}=500V, V_{GS}=0V$			10	μA
Gate-Source Leakage Current	I_{GSS}	$V_{GS}=\pm 30V, V_{DS}=0V$			± 100	nA
ON CHARACTERISTICS						
Gate Threshold Voltage	$V_{GS(TH)}$	$V_{DS}=V_{GS}, I_D=250\mu A$	2.0		4.0	V
Static Drain-Source On-State Resistance	$R_{DS(ON)}$	$V_{GS}=10V, I_D=9.0A$			0.3	Ω
DYNAMIC CHARACTERISTICS						
Input Capacitance	C_{ISS}	$V_{GS}=0V, V_{DS}=25V, f=1MHz$		2700		pF
Output Capacitance	C_{OSS}			300		pF
Reverse Transfer Capacitance	C_{RSS}			30		pF
SWITCHING CHARACTERISTICS						
Total Gate Charge	Q_G	$V_{DS}=100V, V_{GS}=10V, I_D=18A$ $I_G=1mA$ (Note 1, 2)		65		nC
Gate-Source Charge	Q_{GS}			11		nC
Gate-Drain Charge	Q_{DD}			19		nC
Turn-On Delay Time	$t_{D(ON)}$	$V_{DD}=100V, V_{GS}=10V, I_D=18A,$ $R_G=25\Omega$ (Note 1, 2)		34		ns
Turn-On Rise Time	t_R			26		ns
Turn-Off Delay Time	$t_{D(OFF)}$			230		ns
Turn-Off Fall Time	t_F			50		ns
SOURCE- DRAIN DIODE RATINGS AND CHARACTERISTICS						
Maximum Continuous Drain-Source Diode Forward Current	I_S				18	A
Maximum Pulsed Drain-Source Diode Forward Current	I_{SM}				36	A
Drain-Source Diode Forward Voltage	V_{SD}	$I_S=18A, V_{GS}=0V$			1.4	V
Body Diode Reverse Recovery Time	t_{rr}	$I_S=18A, V_{GS}=0V, di_F/dt=100A/\mu s$		390		ns
Body Diode Reverse Recovery Charge	Q_{rr}				5.7	

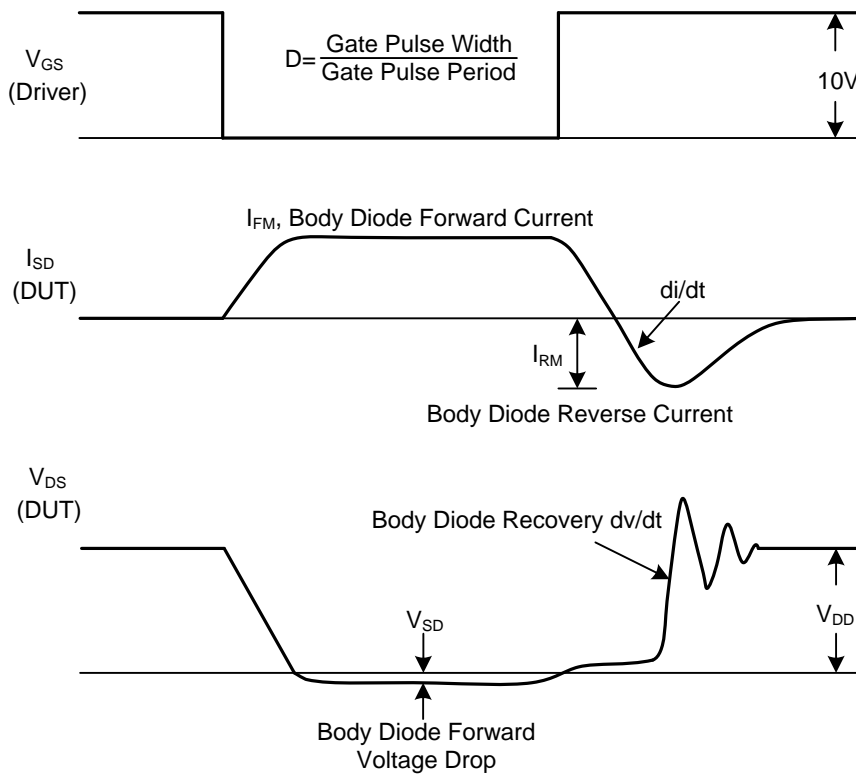
Notes: 1. Pulse Test: Pulse width $\leq 300\mu s$, Duty cycle $\leq 2\%$.

2. Essentially independent of operating temperature.

■ TEST CIRCUITS AND WAVEFORMS

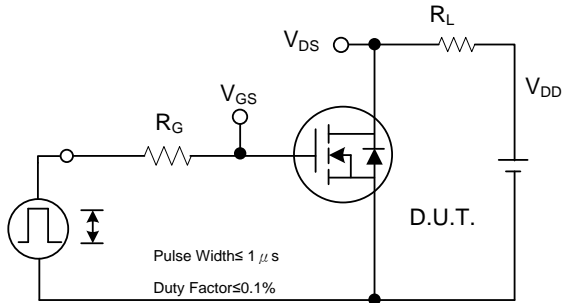


Peak Diode Recovery dv/dt Test Circuit

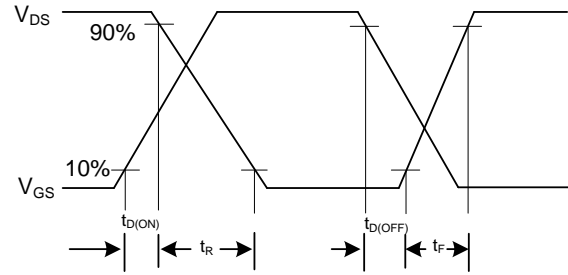


Peak Diode Recovery dv/dt Waveforms

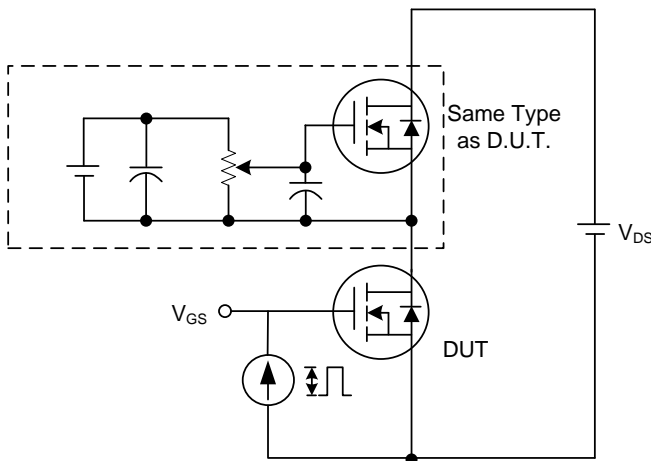
■ TEST CIRCUITS AND WAVEFORMS



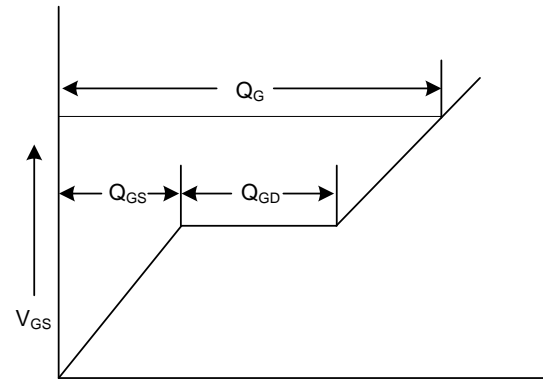
Switching Test Circuit



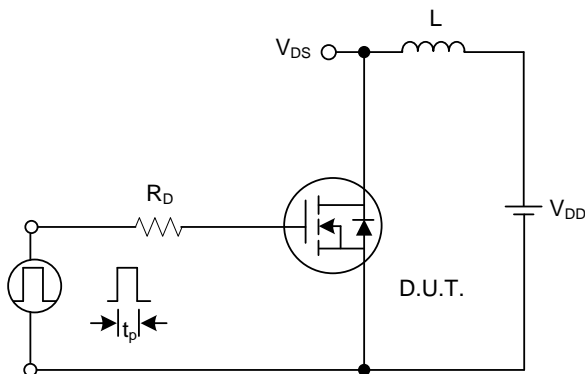
Switching Waveforms



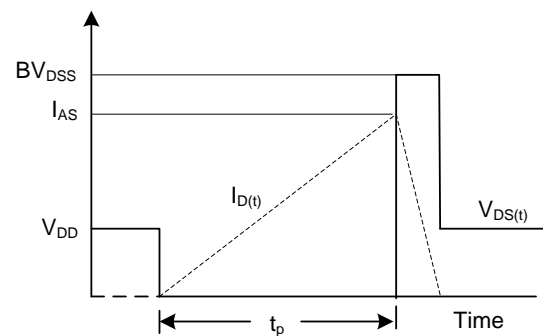
Gate Charge Test Circuit



Charge
Gate Charge Waveform

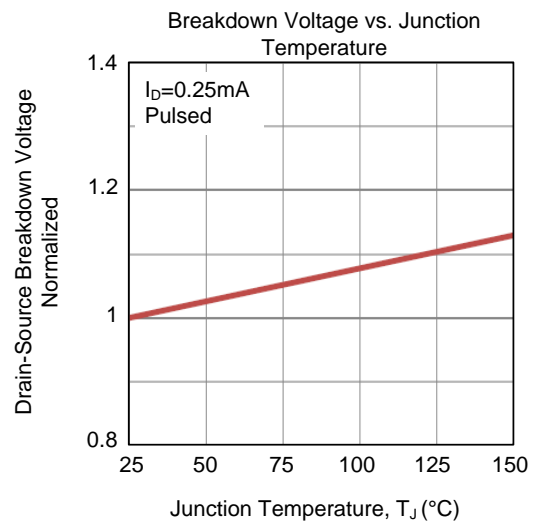
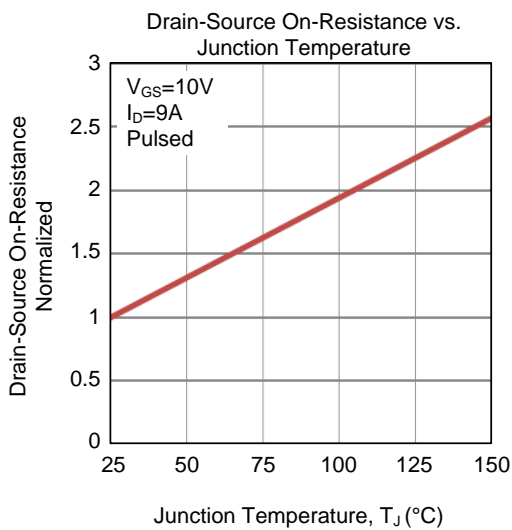
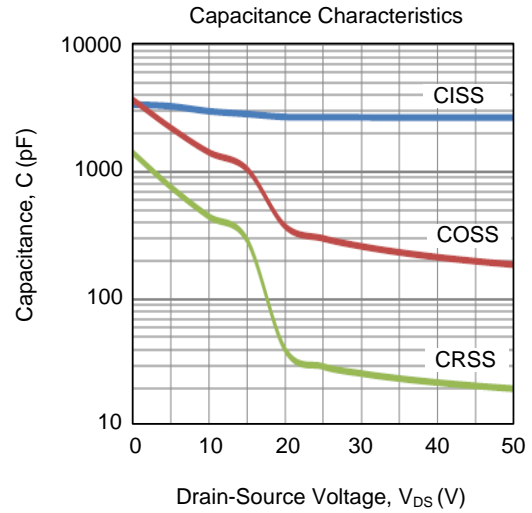
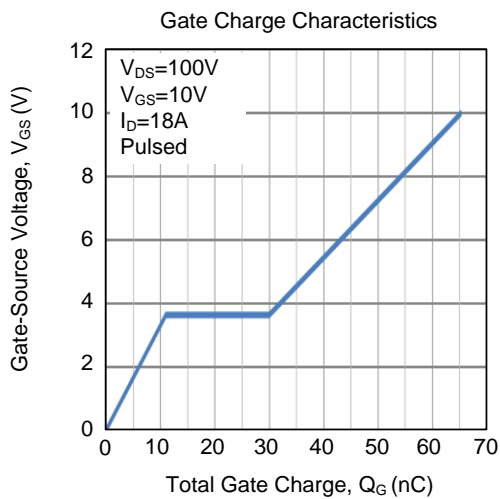
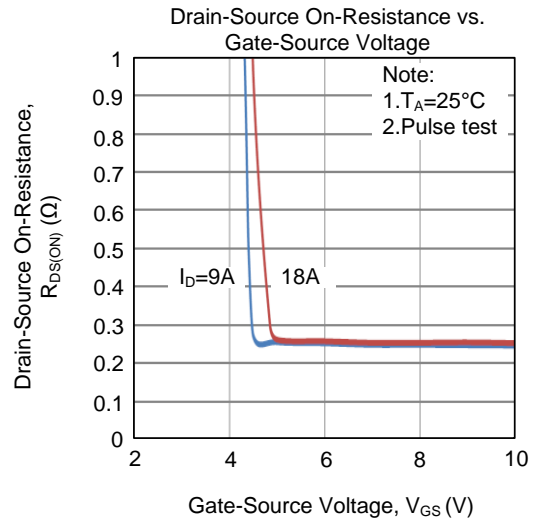
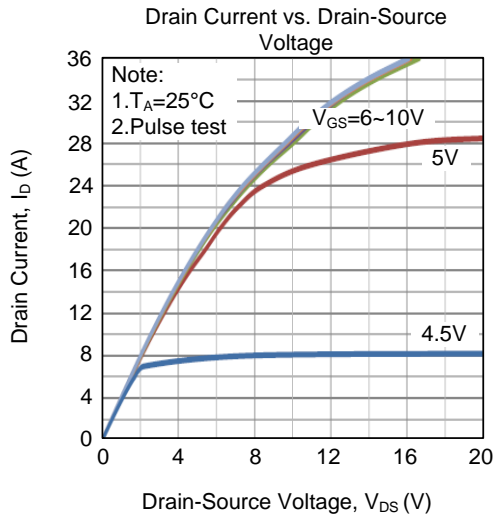


Unclamped Inductive Switching Test Circuit

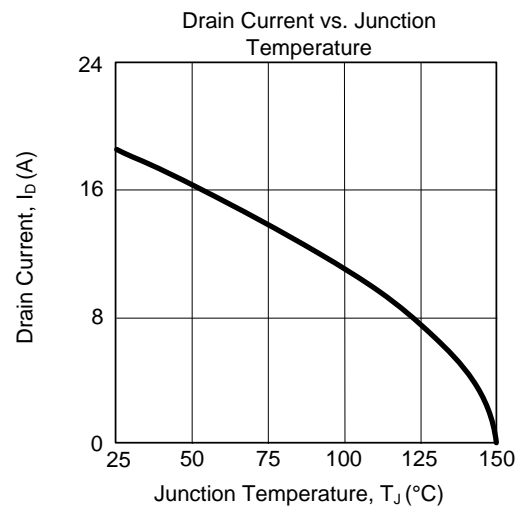
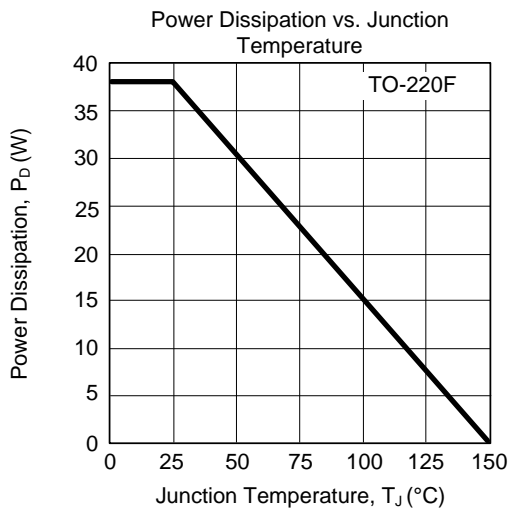
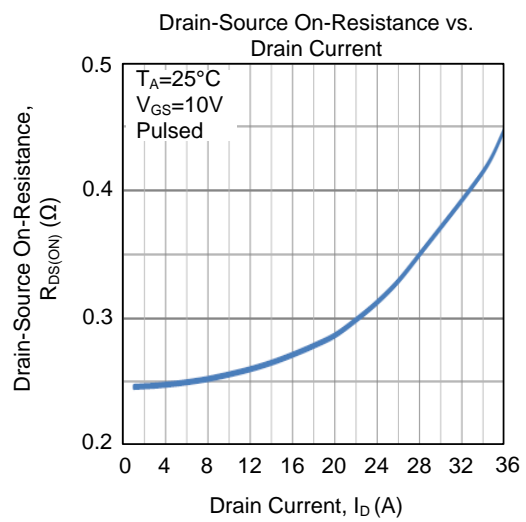
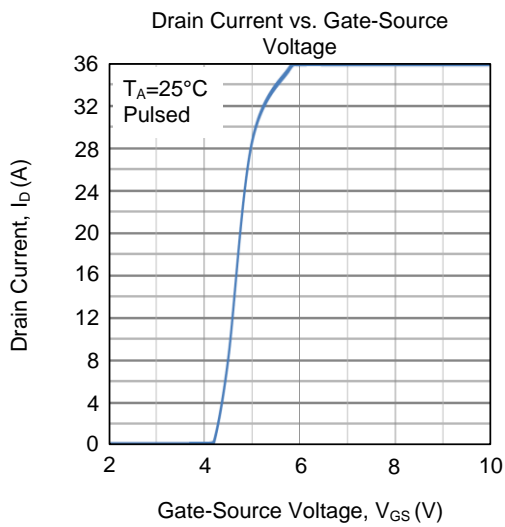
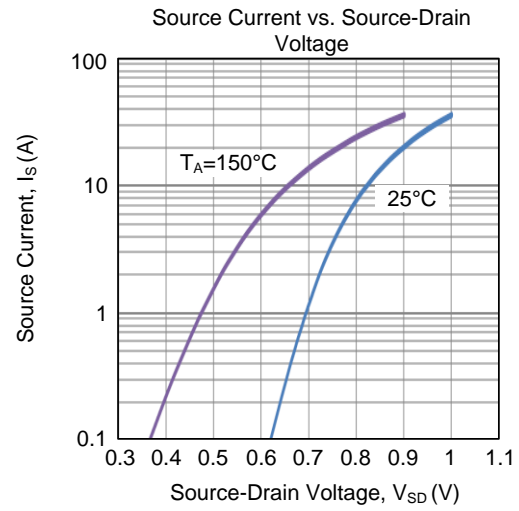
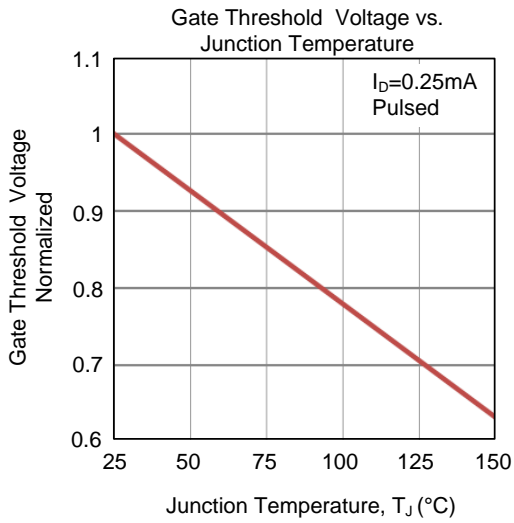


Unclamped Inductive Switching Waveforms

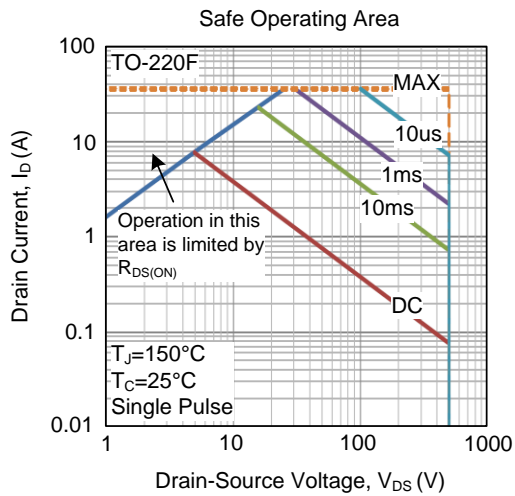
■ TYPICAL CHARACTERISTICS



■ TYPICAL CHARACTERISTICS (Cont.)



■ TYPICAL CHARACTERISTICS (Cont.)



UTC assumes no responsibility for equipment failures that result from using products at values that exceed, even momentarily, rated values (such as maximum ratings, operating condition ranges, or other parameters) listed in products specifications of any and all UTC products described or contained herein. UTC products are not designed for use in life support appliances, devices or systems where malfunction of these products can be reasonably expected to result in personal injury. Reproduction in whole or in part is prohibited without the prior written consent of the copyright owner. UTC reserves the right to make changes to information published in this document, including without limitation specifications and product descriptions, at any time and without notice. This document supersedes and replaces all information supplied prior to the publication hereof.