



SOT05C

Preliminary

TVS DIODE

SINGLE AND DUAL TVS FOR ESD / TRANSIENT PROTECTION

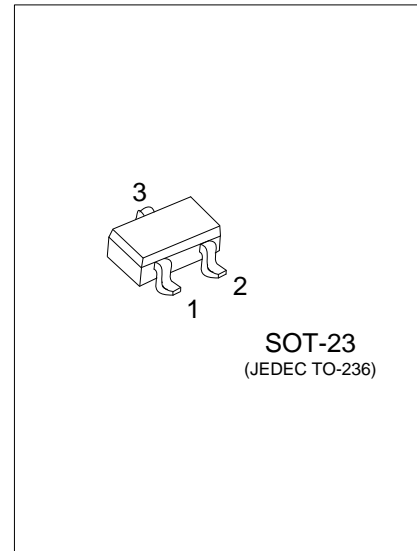
DESCRIPTION

The UTC **SOT05C** is a single and dual TVS, it uses UTC's advanced technology to provide customers with Single and Dual Transient Protector, low leakage current, etc.

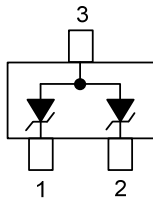
The UTC **SOT05C** is suitable for ESD and preventing Latch-Up events.

FEATURES

- * IEC61000-4-2 compliance 15kV air, 8kV contact discharge
- * Low leakage current: 5μA (Max.)



SYMBOL



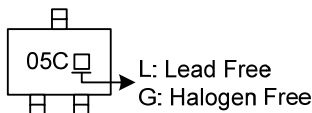
ORDERING INFORMATION

Ordering Number		Package	Pin Assignment			Packing
Lead Free	Halogen Free		1	2	3	
SOT05CL-AE3-R	SOT05CG-AE3-R	SOT-23	K	K	A	Tape Reel

Note: Pin Assignment: K: Cathode

<p>SOT05CG-AE3-R</p> <ul style="list-style-type: none"> (1) Packing Type (2) Package Type (3) Green Package 	<ul style="list-style-type: none"> (1) R: Tape Reel (2) AE3: SOT-23 (3) G: Halogen Free and Lead Free, L: Lead Free
--	--

MARKING



■ ABSOLUTE MAXIMUM RATINGS

PARAMETER	SYMBOL	RATINGS	UNIT
Peak Pulse Power (8/20 μ s Waveform)	P _{PP}	140	W
Junction Temperature	T _J	-50 ~ +150	°C
Storage Temperature	T _{STG}	-50 ~ +150	°C

Note: Absolute maximum ratings are those values beyond which the device could be permanently damaged. Absolute maximum ratings are stress ratings only and functional device operation is not implied.

■ ELECTRICAL CHARACTERISTICS (T_J=25°C, unless otherwise specified)

PARAMETER	SYMBOL	TEST CONDITIONS	MIN	TYP	MAX	UNIT
Reverse Stand-Off Voltage	V _{RWM}				5	V
Reverse Breakdown Voltage	V _{BR}	I _{BR} =1mA	6			V
Reverse Leakage Current	I _R	V _R =5V			5	μ A
Clamping Voltage (8/20 μ s)	V _C	I _{PP} =13A			10	V
Maximum Peak Pulse Current	I _{PP}	8/20 μ s Waveform			13	A
Off State Capacitance Unidirectional	C _J	0V _{DC} Bias f=1MHz			120	pF

UTC assumes no responsibility for equipment failures that result from using products at values that exceed, even momentarily, rated values (such as maximum ratings, operating condition ranges, or other parameters) listed in products specifications of any and all UTC products described or contained herein. UTC products are not designed for use in life support appliances, devices or systems where malfunction of these products can be reasonably expected to result in personal injury. Reproduction in whole or in part is prohibited without the prior written consent of the copyright owner. UTC reserves the right to make changes to information published in this document, including without limitation specifications and product descriptions, at any time and without notice. This document supersedes and replaces all information supplied prior to the publication hereof.