



UTT28N10

POWER MOSFET

28A, 100V N-CHANNEL POWER MOSFET

DESCRIPTION

The UTC **UTT28N10** is a N-channel mode power MOSFET using UTC's advanced technology to provide customers with a minimum on-state resistance, low gate charge and high switching speed.

The UTC **UTT28N10** is suitable for high voltage synchronous rectifier and DC/DC converters, etc.

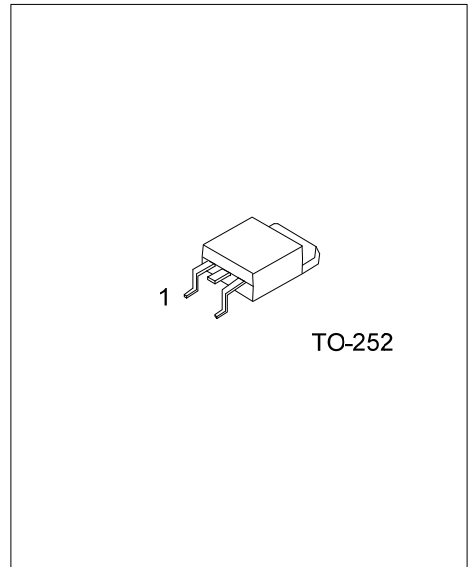
FEATURES

* $R_{DS(ON)} \leq 60m\Omega @ V_{GS}=10V, I_D=14A$

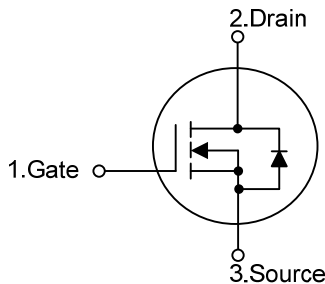
$R_{DS(ON)} \leq 80m\Omega @ V_{GS}=10V, I_D=14A$

* High Switching Speed

* High Cell Density Trench Technology



SYMBOL



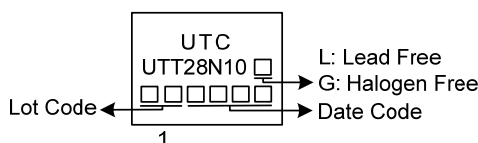
ORDERING INFORMATION

Ordering Number		Package	Pin Assignment			Packing
Lead Free	Halogen Free		1	2	3	
UTT28N10L-TN3-R	UTT28N10G-TN3-R	TO-252	G	D	S	Tape Reel

Note: Pin Assignment: G: Gate D: Drain S: Source

<p>UTT28N10G-TN3-R</p> <p>(1) Packing Type</p> <p>(2) Package Type</p> <p>(3) Green Package</p>	<p>(1) R: Tape Reel</p> <p>(2) TN3: TO-252</p> <p>(3) G: Halogen Free and Lead Free, L: Lead Free</p>
---	---

MARKING



■ ABSOLUTE MAXIMUM RATING ($T_C=25^{\circ}\text{C}$, unless otherwise specified)

PARAMETER	SYMBOL	RATINGS	UNIT
Drain-Source Voltage	V_{DSS}	100	V
Gate-Source Voltage	V_{GSS}	± 20	V
Drain Current	Continuous	I_D	28
	Pulsed (Note 2)	I_{DM}	56
Avalanche Energy (Note 3)	Single Pulsed (Note 3)	E_{AS}	120
Peak Diode Recovery dv/dt (Note 4)	dv/dt	4.5	V/nS
Power Dissipation	P_D	41.7	W
Junction Temperature	T_J	+150	$^{\circ}\text{C}$
Storage Temperature Range	T_{STG}	-55 ~ +150	$^{\circ}\text{C}$

Notes: 1. Absolute maximum ratings are those values beyond which the device could be permanently damaged.

Absolute maximum ratings are stress ratings only and functional device operation is not implied.

2. Repetitive Rating: Pulse width limited by maximum junction temperature

3. $L=10\text{mH}$, $I_{AS}=4.9\text{A}$, $V_{DD}=25\text{V}$, $R_G = 25\Omega$, Starting $T_J = 25^{\circ}\text{C}$

4. $I_{SD} \leq 28\text{A}$, $di/dt \leq 100\text{A}/\mu\text{s}$, $V_{DD} \leq V_{(BR)DSS}$, $T_J \leq 25^{\circ}\text{C}$

■ THERMAL CHARACTERISTICS

PARAMETER	SYMBOL	RATINGS	UNIT
Junction to Ambient	θ_{JA}	110	$^{\circ}\text{C}/\text{W}$
Junction to Case	θ_{JC}	2.99 (Note)	$^{\circ}\text{C}/\text{W}$

Note: Device mounted on FR-4 substrate PC board, 2oz copper, with 1inch square copper plate.

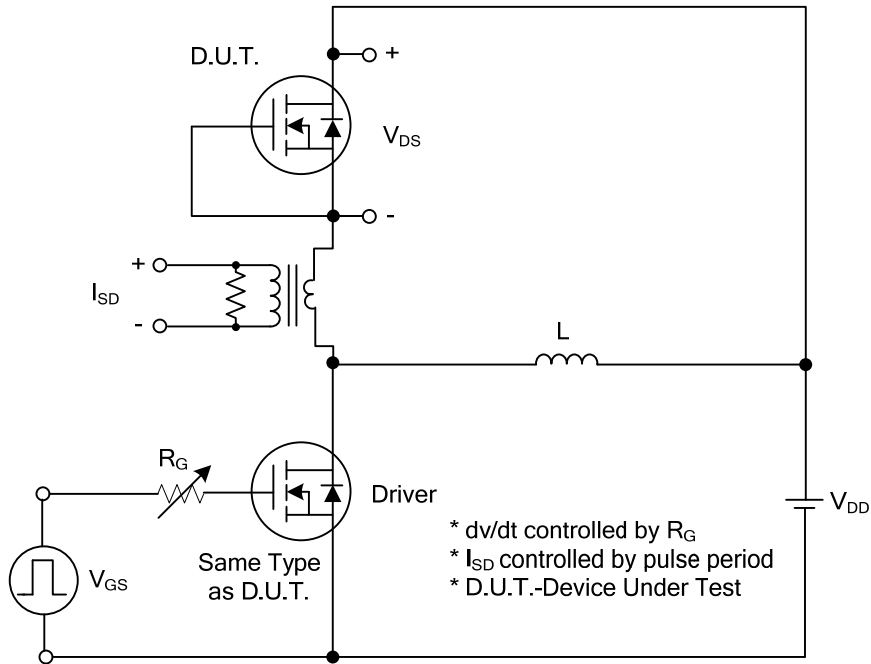
■ ELECTRICAL CHARACTERISTICS ($T_J = 25^{\circ}\text{C}$, unless otherwise specified)

PARAMETER	SYMBOL	TEST CONDITIONS	MIN	TYP	MAX	UNIT
OFF CHARACTERISTICS						
Drain-Source Breakdown Voltage	BV_{DSS}	$I_D=250\mu\text{A}$, $V_{GS}=0\text{V}$	100			V
Drain-Source Leakage Current	I_{DSS}	$V_{DS}=100\text{V}$, $V_{GS}=0\text{V}$			10	μA
Gate-Source Leakage Current	I_{GSS}	Forward			+100	nA
		Reverse			-100	nA
ON CHARACTERISTICS						
Gate Threshold Voltage	$V_{GS(TH)}$	$V_{DS}=V_{GS}$, $I_D=250\mu\text{A}$	1.0		3.0	V
Static Drain-Source On-State Resistance	$R_{DS(ON)}$	$V_{GS}=10\text{V}$, $I_D=14\text{A}$			60	m Ω
		$V_{GS}=4.5\text{V}$, $I_D=14\text{A}$			80	m Ω
DYNAMIC PARAMETERS						
Input Capacitance	C_{ISS}	$V_{GS}=0\text{V}$, $V_{DS}=25\text{V}$, $f=1.0\text{MHz}$		2250		pF
Output Capacitance	C_{OSS}			115		pF
Reverse Transfer Capacitance	C_{RSS}			90		pF
SWITCHING PARAMETERS						
Total Gate Charge (Note 1)	Q_G	$V_{DS}=50\text{V}$, $V_{GS}=10\text{V}$, $I_D=1.3\text{A}$ $I_G=1\text{mA}$ (Note 1, 2)		92		nC
Gate to Source Charge	Q_{GS}			9.5		nC
Gate to Drain Charge	Q_{GD}			13		nC
Turn-on Delay Time (Note 1)	$t_{D(ON)}$	$V_{DS}=30\text{V}$, $V_{GS}=10\text{V}$, $I_D=0.5\text{A}$, $R_G=25\Omega$ (Note 1, 2)		58		ns
Rise Time	t_R			50		ns
Turn-off Delay Time	$t_{D(OFF)}$			600		ns
Fall-Time	t_F			100		ns
SOURCE- DRAIN DIODE RATINGS AND CHARACTERISTICS						
Maximum Body-Diode Continuous Current	I_S				28	A
Maximum Body-Diode Pulsed Current	I_{SM}				56	A
Drain-Source Diode Forward Voltage (Note 1)	V_{SD}	$I_S=28\text{A}$, $V_{GS}=0\text{V}$			1.4	V
Reverse Recovery Time (Note 1)	t_{rr}	$I_S=28\text{A}$, $V_{GS}=0\text{V}$,		86		nS
Reverse Recovery Charge	Q_{rr}	$di/dt=100\text{A}/\mu\text{s}$		210		nC

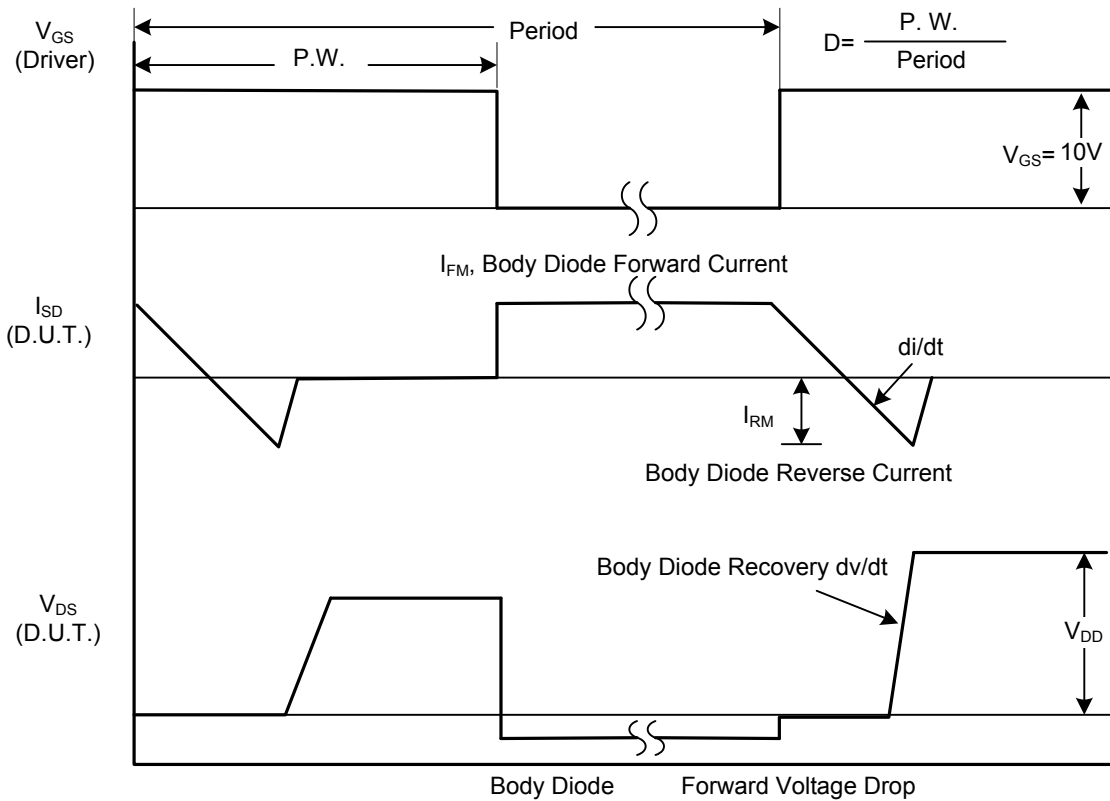
Notes: 1. Pulse Test : Pulse width $\leq 300\mu\text{s}$, Duty cycle $\leq 2\%$.

2. Essentially independent of operating temperature.

TEST CIRCUITS AND WAVEFORMS

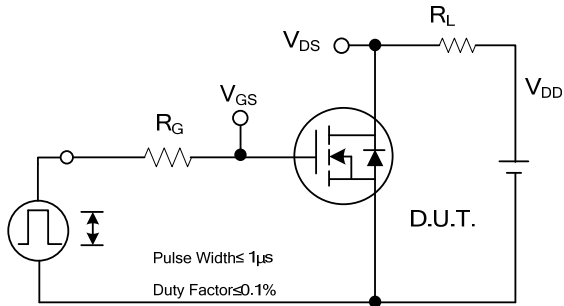


Peak Diode Recovery dv/dt Test Circuit

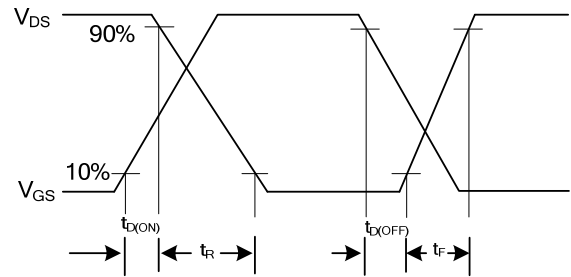


Peak Diode Recovery dv/dt Waveforms

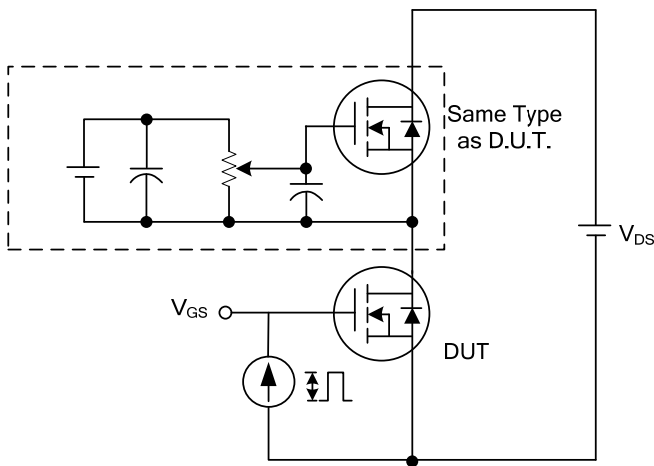
TEST CIRCUITS AND WAVEFORMS



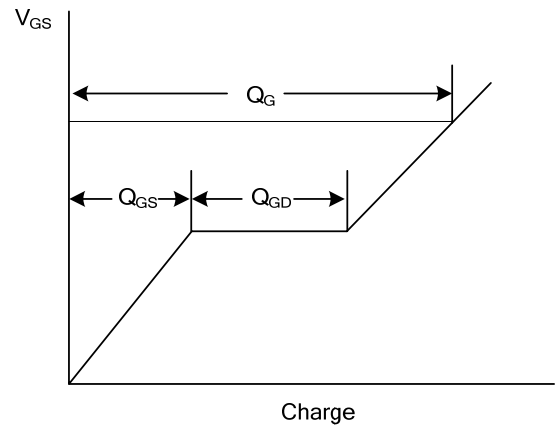
Switching Test Circuit



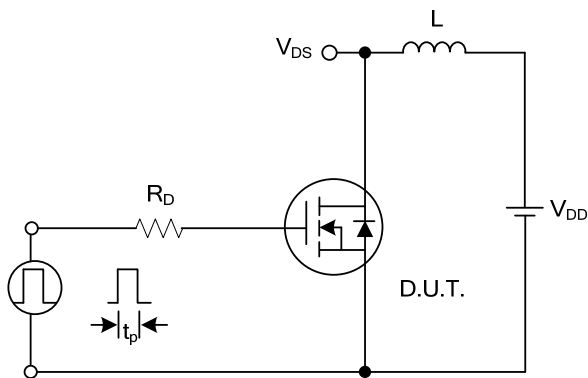
Switching Waveforms



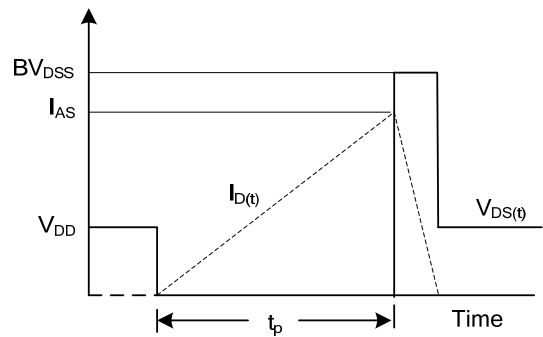
Gate Charge Test Circuit



Gate Charge Waveform

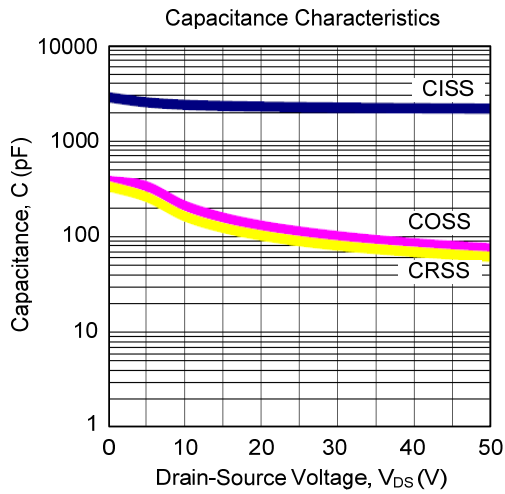


Unclamped Inductive Switching Test Circuit



Unclamped Inductive Switching Waveforms

■ TYPICAL CHARACTERISTICS



UTC assumes no responsibility for equipment failures that result from using products at values that exceed, even momentarily, rated values (such as maximum ratings, operating condition ranges, or other parameters) listed in products specifications of any and all UTC products described or contained herein. UTC products are not designed for use in life support appliances, devices or systems where malfunction of these products can be reasonably expected to result in personal injury. Reproduction in whole or in part is prohibited without the prior written consent of the copyright owner. UTC reserves the right to make changes to information published in this document, including without limitation specifications and product descriptions, at any time and without notice. This document supersedes and replaces all information supplied prior to the publication hereof.