



9N70-TC

Power MOSFET

9A, 700V N-CHANNEL POWER MOSFET

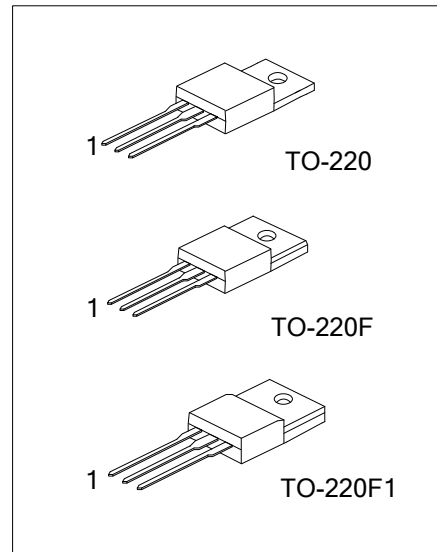
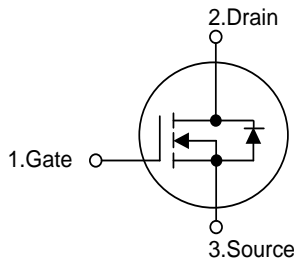
DESCRIPTION

The UTC **9N70-TC** is a high voltage power MOSFET designed to have better characteristics, such as fast switching time, low gate charge, low on-state resistance and high rugged avalanche characteristics. This power MOSFET is usually used in high speed switching applications of switching power supplies and adaptors.

FEATURES

- * $R_{DS(ON)} \leq 1.25 \Omega @ V_{GS}=10V, I_D=4.5A$
- * Fast switching capability
- * Avalanche energy tested
- * Improved dv/dt capability, high ruggedness

SYMBOL



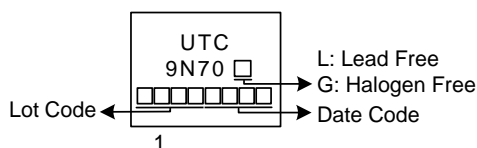
ORDERING INFORMATION

Ordering Number		Package	Pin Assignment			Packing
Lead Free	Halogen Free		1	2	3	
9N70L-TA3-T	9N70G-TA3-T	TO-220	G	D	S	Tube
9N70L-TF1-T	9N70G-TF1-T	TO-220F1	G	D	S	Tube
9N70L-TF3-T	9N70G-TF3-T	TO-220F	G	D	S	Tube

Note: Pin Assignment: G: Gate D: Drain S: Source

<p>9N70G-TA3-T</p> <p>(1) Packing Type</p> <p>(2) Package Type</p> <p>(3) Green Package</p>	<p>(1) T: Tube</p> <p>(2) TA3: TO-220, TF1: TO-220F1, TF3: TO-220F</p> <p>(3) G: Halogen Free and Lead Free, L: Lead Free</p>
---	---

MARKING



■ **ABSOLUTE MAXIMUM RATINGS** ($T_C = 25^\circ\text{C}$, unless otherwise specified)

PARAMETER	SYMBOL	RATINGS	UNIT	
Drain-Source Voltage	V_{DSS}	700	V	
Gate-Source Voltage	V_{GSS}	± 30	V	
Continuous Drain Current	I_D	9	A	
Pulsed Drain Current (Note 2)	I_{DM}	18	A	
Avalanche Energy	Single Pulsed (Note 3)	E_{AS}	122	mJ
Peak Diode Recovery dv/dt (Note 4)	dv/dt	3.88	V/ns	
Power Dissipation	TO-220	P_D	150	W
	TO-220F/TO-220F1		35	W
Junction Temperature	T_J	+150	$^\circ\text{C}$	
Storage Temperature	T_{STG}	-55 ~ +150	$^\circ\text{C}$	

Notes: 1. Absolute maximum ratings are those values beyond which the device could be permanently damaged.

Absolute maximum ratings are stress ratings only and functional device operation is not implied.

2. Repetitive Rating: Pulse width limited by maximum junction temperature.

3. $L = 10\text{mH}$, $I_{AS} = 4.94\text{A}$, $V_{DD} = 50\text{V}$, $R_G = 25\ \Omega$, Starting $T_J = 25^\circ\text{C}$

4. $I_{SD} \leq 9.0\text{A}$, $di/dt \leq 200\text{A}/\mu\text{s}$, $V_{DD} \leq BV_{DSS}$, Starting $T_J = 25^\circ\text{C}$

■ **THERMAL DATA**

PARAMETER	SYMBOL	RATINGS	UNIT	
Junction to Ambient	θ_{JA}	62.5	$^\circ\text{C}/\text{W}$	
Junction to Case	TO-220	θ_{JC}	0.83	$^\circ\text{C}/\text{W}$
	TO-220F/TO-220F1		3.57	$^\circ\text{C}/\text{W}$

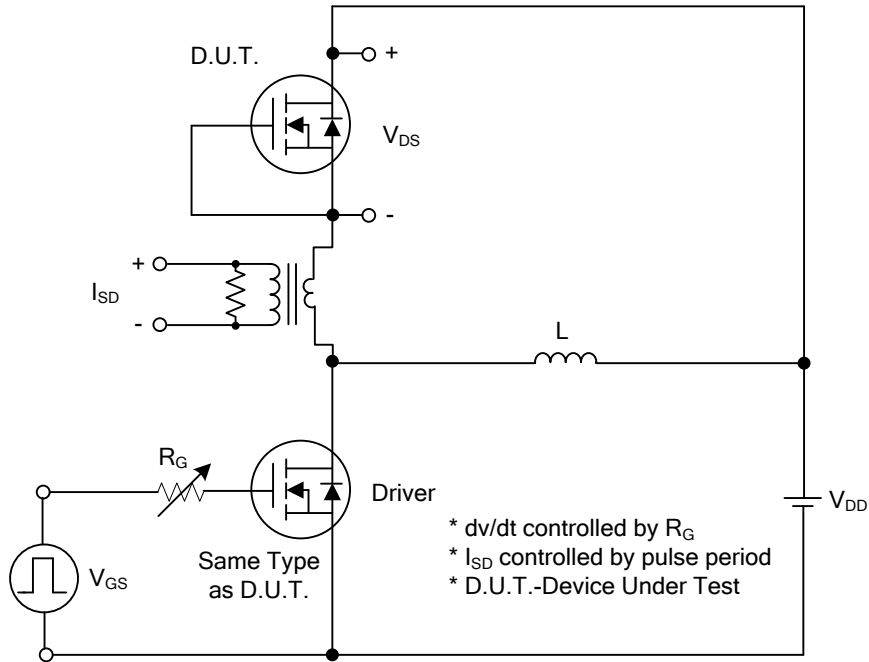
ELECTRICAL CHARACTERISTICS ($T_J=25^{\circ}\text{C}$, unless otherwise specified)

PARAMETER	SYMBOL	TEST CONDITIONS	MIN	TYP	MAX	UNIT
OFF CHARACTERISTICS						
Drain-Source Breakdown Voltage	BV_{DSS}	$V_{GS} = 0V, I_D = 250\mu A$	700			V
Drain-Source Leakage Current	I_{DSS}	$V_{DS} = 700V, V_{GS} = 0V$			10	μA
Gate- Source Leakage Current	Forward	I_{GSS}			100	nA
	Reverse					
		$V_{GS} = -30V, V_{DS} = 0V$			-100	nA
ON CHARACTERISTICS						
Gate Threshold Voltage	$V_{GS(TH)}$	$V_{DS} = V_{GS}, I_D = 250\mu A$	2.0		4.0	V
Static Drain-Source On-State Resistance	$R_{DS(ON)}$	$V_{GS} = 10V, I_D = 4.5A$		1.08	1.25	Ω
DYNAMIC CHARACTERISTICS						
Input Capacitance	C_{ISS}	$V_{DS}=25V, V_{GS}=0V, f=1.0\text{ MHz}$		1410		pF
Output Capacitance	C_{OSS}			114		pF
Reverse Transfer Capacitance	C_{RSS}			4		pF
SWITCHING CHARACTERISTICS						
Total Gate Charge (Note 1)	Q_G	$V_{DS}=100V, V_{GS}=10V, I_D=9.0A,$ $I_D=1\text{ mA (Note 1, 2)}$		27		nC
Gate-Source Charge	Q_{GS}			8.4		nC
Gate-Drain Charge	Q_{GD}			2.6		nC
Turn-On Delay Time (Note 1)	$t_{D(ON)}$	$V_{DD}=100V, V_{GS}=10V, I_D=9.0A,$ $R_G=25\Omega$ (Note 1, 2)		21		ns
Turn-On Rise Time	t_R			16.9		ns
Turn-Off Delay Time	$t_{D(OFF)}$			62		ns
Turn-Off Fall Time	t_F			32		ns
DRAIN-SOURCE DIODE CHARACTERISTICS AND MAXIMUM RATINGS						
Maximum Continuous Drain-Source Diode Forward Current	I_S				9	A
Maximum Pulsed Drain-Source Diode Forward Current	I_{SM}				18	A
Drain-Source Diode Forward Voltage	V_{SD}	$I_S=9.0A, V_{GS}=0V$			1.4	V
Body Diode Reverse Recovery Time	t_{rr}	$I_S=9.0A, V_{GS}=0V$ di/dt=100A/ μs		352		ns
Body Diode Reverse Recovery Charge	Q_{rr}			4.4		μC

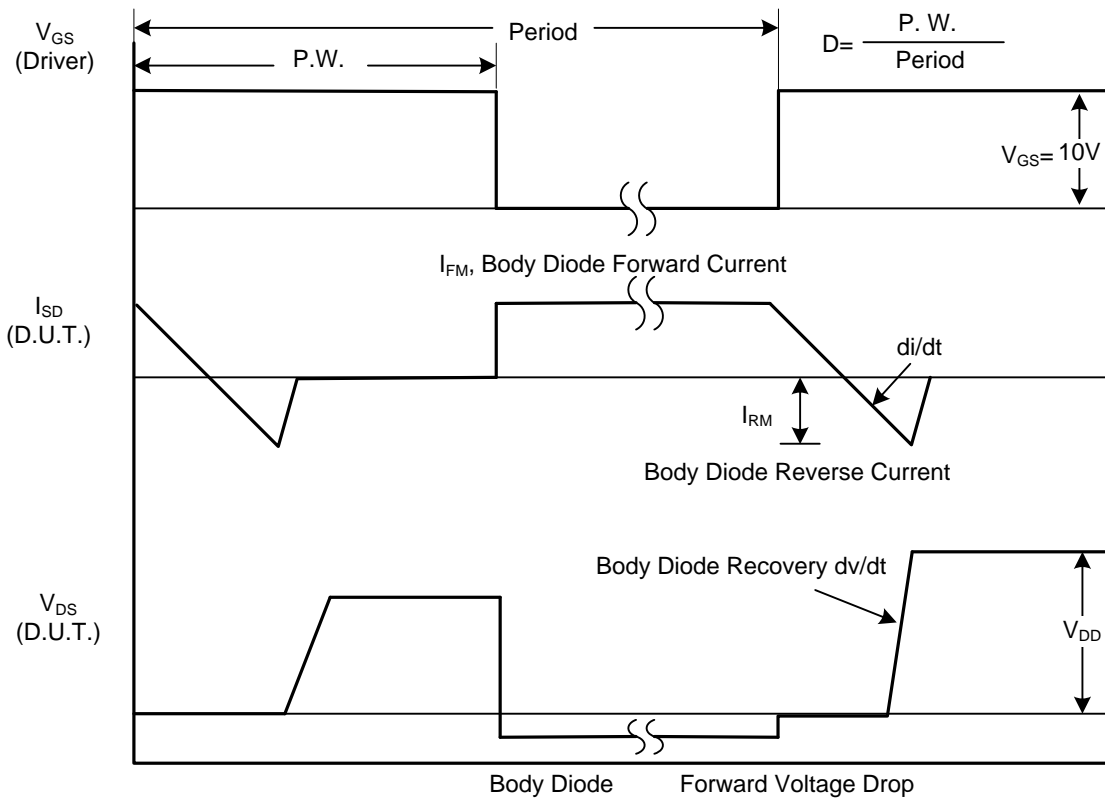
Notes: 1. Pulse Test: Pulse width $\leq 300\mu s$, Duty cycle $\leq 2\%$.

2. Essentially independent of operating temperature.

■ TEST CIRCUITS AND WAVEFORMS

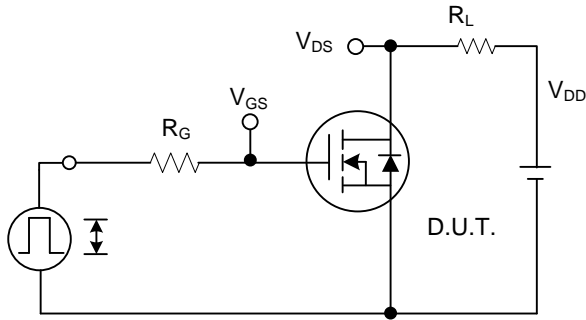


Peak Diode Recovery dv/dt Test Circuit

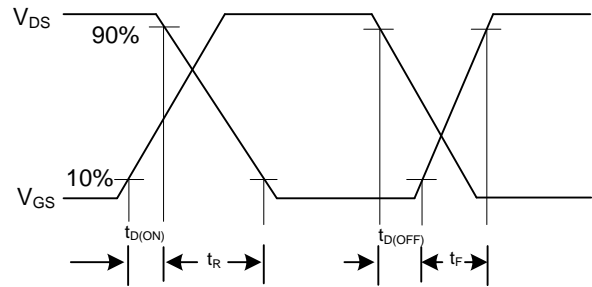


Peak Diode Recovery dv/dt Waveforms

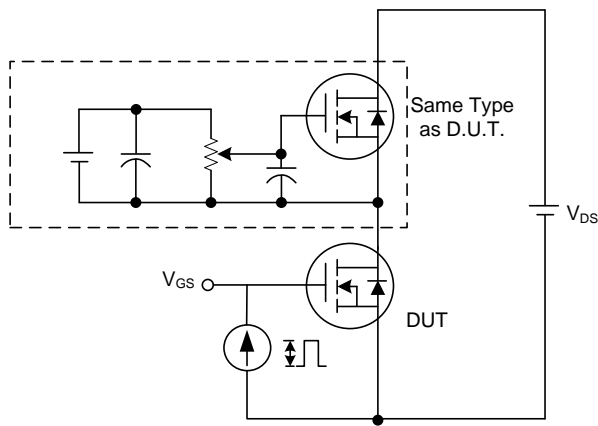
TEST CIRCUITS AND WAVEFORMS



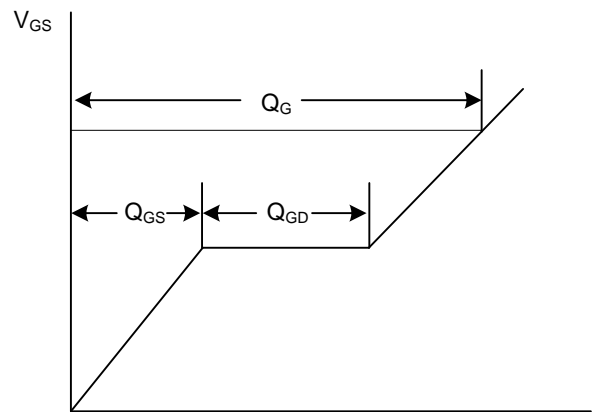
Switching Test Circuit



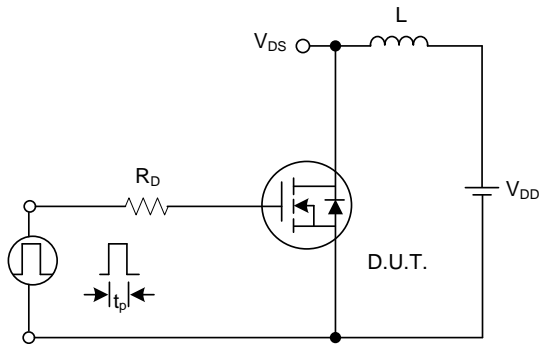
Switching Waveforms



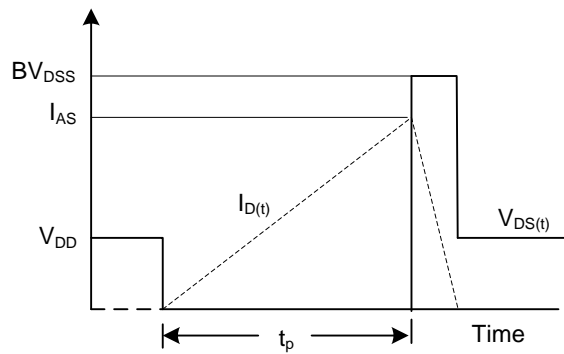
Gate Charge Test Circuit



Gate Charge Waveform

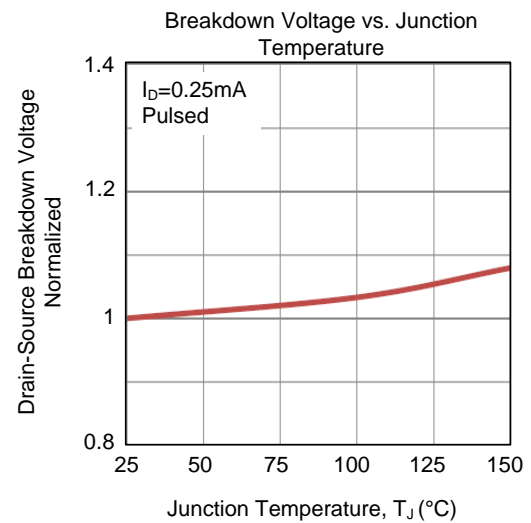
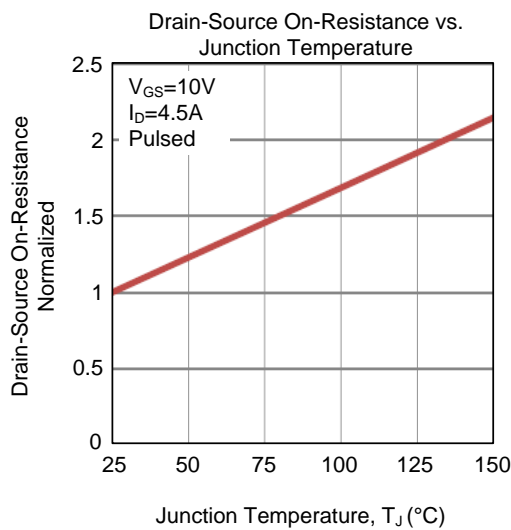
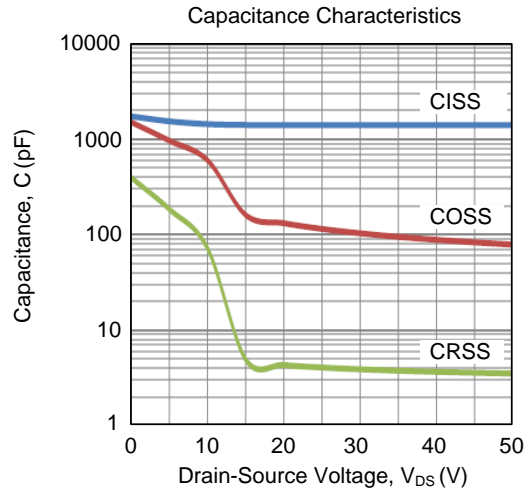
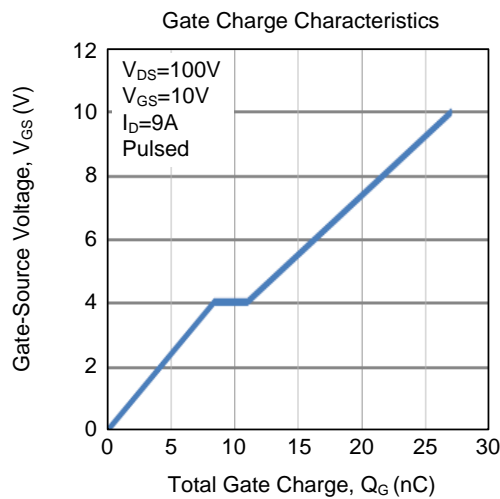
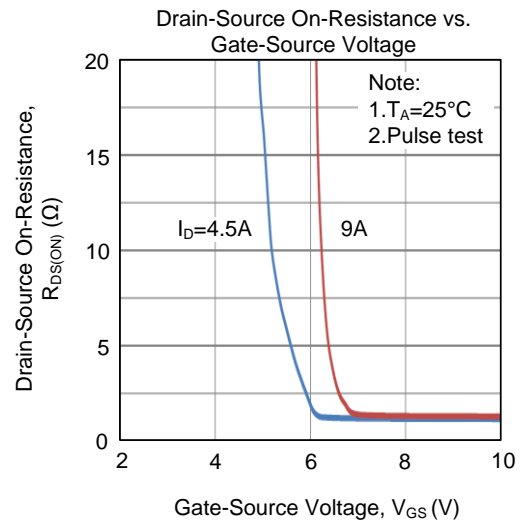
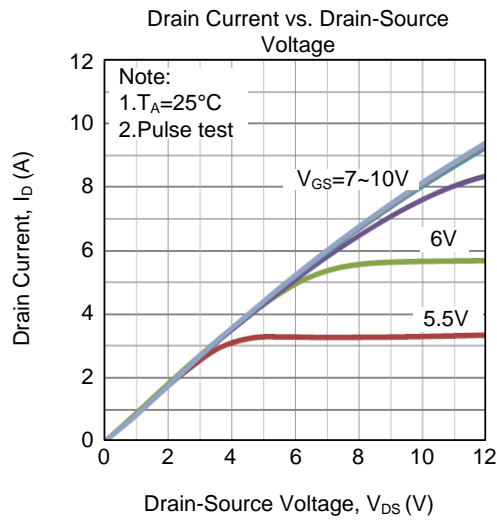


Unclamped Inductive Switching Test Circuit



Unclamped Inductive Switching Waveforms

TYPICAL CHARACTERISTICS



■ TYPICAL CHARACTERISTICS (Cont.)

