



L16B45B

Advance

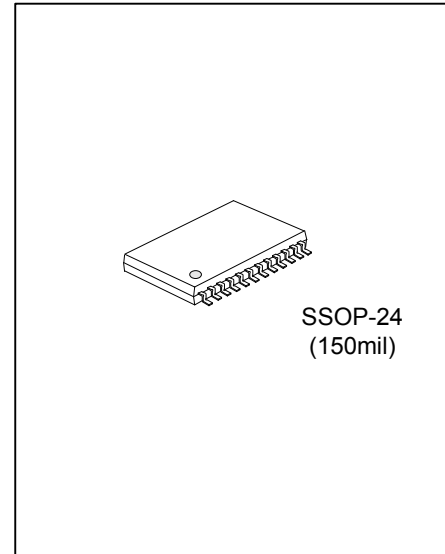
CMOS IC

16-BIT CONSTANT CURRENT LED SINK DRIVER

DESCRIPTION

The UTC **L16B45B** is designed for LED displays. UTC **L16B45B** contains a serial buffer and data latches which convert serial input data into parallel output format. at UTC **L16B45B** output stage, sixteen regulated current ports are designed to provide uniform and constant current sinks for driving LEDs within a large range of V_F variations.

UTC **L16B45B** provides users with great flexibility and device performance while using UTC **L16B45B** in their system design for LED display applications, e.g. LED panels. Users may adjust the output current from 0.6mA to 45mA through an external resistor, R-EXT, which gives users flexibility in controlling the light intensity of LEDs. UTC **L16B45B** guarantees to endure maximum 11V at the output port. The high clock frequency, 35MHz, also satisfies the system requirements of high volume data transmission.



FEATURES

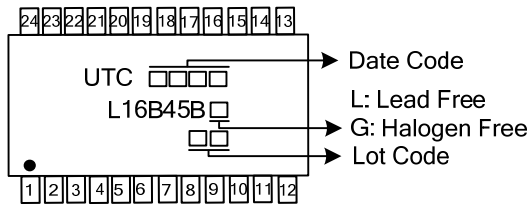
- * 16 constant-current output channels
- * Constant output current invariant to load voltage change:
 - Constant output current range:
 - 0.6~45mA @ $V_{DD}=5V$
 - 0.6~35mA @ $V_{DD}=3.3V$
- * Output current adjusted through an external resistor
- * Fast response of output current, \overline{OE} : 20ns @ $V_{DD}=3.3V$
- * Schmitt trigger input
- * 3.3V, 5V supply voltage

ORDERING INFORMATION

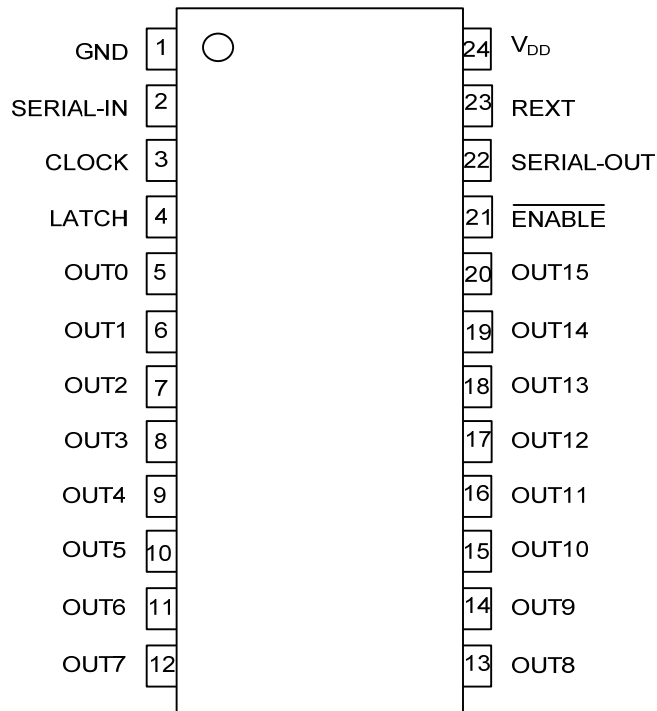
Ordering Number		Package	Packing
Lead Free	Halogen Free		
L16B45BL-R24-R	L16B45BG-R24-R	SSOP-24	Tape Reel

<p>L16B45BG-R24-R</p> <ul style="list-style-type: none"> (1) Packing Type (2) Package Type (3) Green Package 	<ul style="list-style-type: none"> (1) R: Tape Reel (2) R24: SSOP-24 (3) G: Halogen Free and Lead Free, L: Lead Free
---	---

MARKING



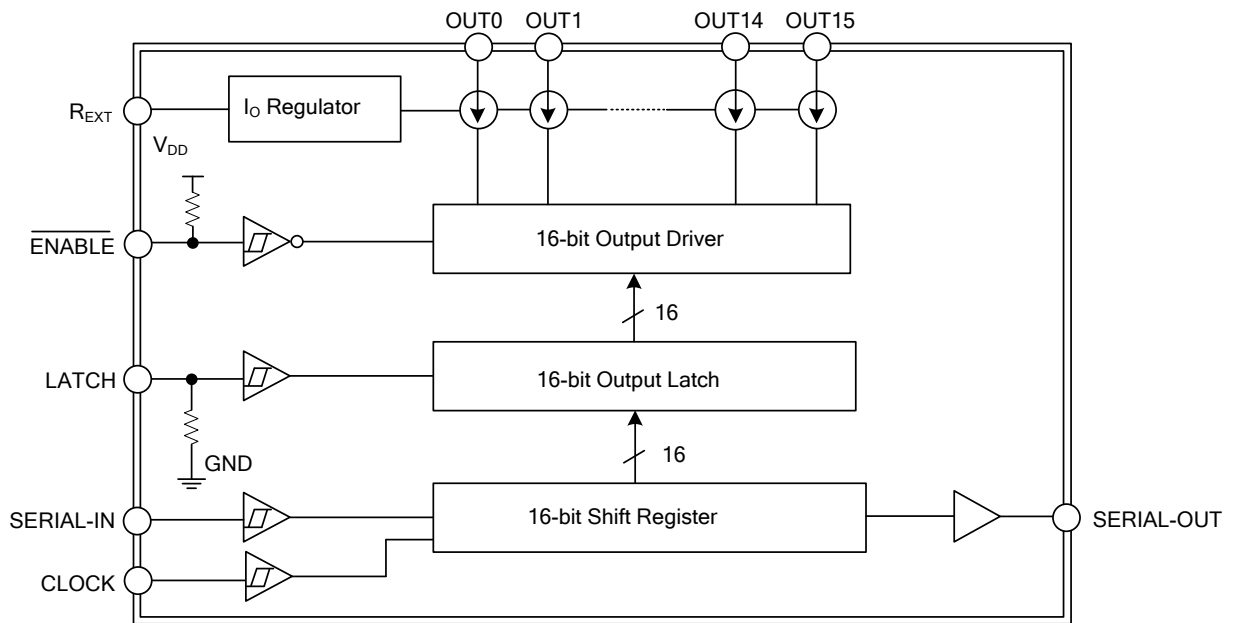
PIN CONFIGURATION



PIN DESCRIPTION

PIN NO.	PIN NAME	DESCRIPTION
1	GND	Ground terminal for control logic and current sink
2	SERIAL-IN	Serial-data input to the shift register
3	CLOCK	Clock input terminal for data shift on rising edge
4	LATCH	Data strobe input terminal Serial data is transferred to the output latch when LE is high. The data is latched when LE goes low.
5~20	OUT0~15	Constant current output terminals
21	$\overline{\text{ENABLE}}$	Output enable terminal When (active) low, the output drivers are enabled; when high, all output drivers are turned OFF (blanked).
22	SERIAL-OUT	Serial-data output to the following SDI of next driver IC
23	R _{EXT}	Input terminal used to connect an external resistor for setting up output current for all output channels
24	V _{DD}	3.5V/5V supply voltage terminal

■ BLOCK DIAGRAM



■ ABSOLUTE MAXIMUM RATING

PARAMETER	SYMBOL	RATINGS	UNIT
Supply Voltage	V_{DD}	0~7.0	V
Input Voltage	V_{IN}	-0.4 ~ $V_{DD}+0.4$	V
Output Current	I_{OUT}	45	mA
Output Voltage	V_{OUT}	-0.5 ~ +11	V
Clock Frequency	F_{CLK}	35	MHz
GND Terminal Current	I_{GND}	720	mA
Power Dissipation ($T_A=25^\circ\text{C}$)	P_D	0.9	W
Storage Temperature	T_{STG}	-55 ~ +150	$^\circ\text{C}$

Note: Absolute maximum ratings are those values beyond which the device could be permanently damaged. Absolute maximum ratings are stress ratings only and functional device operation is not implied.

■ DC ELECTRICAL CHARACTERISTICS ($V_{DD}=5.0\text{V}$, $T_A=25^\circ\text{C}$)

PARAMETER	SYMBOL	TEST CONDITIONS	MIN	TYP	MAX	UNIT
Input Voltage	"H" Level	V_{IH}	$0.7 \times V_{DD}$		V_{DD}	V
	"L" Level	V_{IL}	GND		$0.3 \times V_{DD}$	
Output Leakage Current	I_{OH}	$V_{OH}=9\text{V}$			0.2	μA
Output Voltage (S-OUT)	V_{OL}	$I_{OL}=1.0\text{mA}$			0.4	V
	V_{OH}	$I_{OH}=-1.0\text{mA}$	4.6			
Output Current (Bit to Bit)	I_{OL1}	$V_{OUT}=1\text{V}$, $R_{EXT}=910\Omega$		± 2		%
	I_{OL2}	$V_{OUT}=1\text{V}$, $R_{EXT}=420\Omega$		± 2		
Output Current (chip to chip)	I_{OL3}	$V_{OUT}=1\text{V}$, $R_{EXT}=910\Omega$		± 4		%
	I_{OL4}	$V_{OUT}=1\text{V}$, $R_{EXT}=420\Omega$		± 4		
Output Current vs. Supply Voltage Regulation	$\%V_{DD}$	$R_{EXT}=420\Omega$, $T_A=-40\sim 85^\circ\text{C}$		± 1		$\%/V$
Output Current vs. Output Voltage Regulation	$\%V_{DS}$	$R_{EXT}=420\Omega$, $T_A=-40\sim 85^\circ\text{C}$		± 0.1		$\%/V$
Pull-Up Resistor	$R_{IN (up)}$			500		$\text{K}\Omega$
Pull-Down Resistor	$R_{IN (down)}$			500		$\text{K}\Omega$
Supply Current	"OFF"	$I_{DD (off) 1}$	$R_{EXT}=\text{OPEN}$, $\text{OUT}0\sim 15=\text{off}$	5	8	mA
		$I_{DD (off) 2}$	$R_{EXT}=420\Omega$, $\text{OUT}0\sim 15=\text{off}$	10	15	
	"ON"	$I_{DD (on) 1}$	$R_{EXT}=420\Omega$, $\text{OUT}0\sim 15=\text{on}$	10	15	

■ DC ELECTRICAL CHARACTERISTICS ($V_{DD}=3.3V$, $T_A=25^{\circ}C$)

PARAMETER		SYMBOL	TEST CONDITIONS	MIN	TYP	MAX	UNIT
Input Voltage	"H" Level	V_{IH}		$0.7 \times V_{DD}$		V_{DD}	V
	"L" Level	V_{IL}		GND		$0.3 \times V_{DD}$	
Output Leakage Current		I_{OH}	$V_{OH}=9V$			0.2	μA
Output Voltage (S-OUT)		V_{OL}	$I_{OL}=1.0mA$			0.5	V
		V_{OH}	$I_{OH}=-1.0mA$	2.8			
Output Current (Bit to Bit)		I_{OL1}	$V_{OUT}=1V$, $R_{EXT}=2720\Omega$		± 2		%
		I_{OL2}	$V_{OUT}=1V$, $R_{EXT}=910\Omega$		± 2		
Output Current (chip to chip)		I_{OL3}	$V_{OUT}=1V$, $R_{EXT}=2720\Omega$		± 4		%
		I_{OL4}	$V_{OUT}=1V$, $R_{EXT}=910\Omega$		± 4		
Output Current vs. Supply Voltage Regulation		$\%V_{DD}$	$R_{EXT}=910\Omega$, $T_A=-40\sim 85^{\circ}C$		± 1		$\%/V$
Output Current vs. Output Voltage Regulation		$\%V_{DS}$	$R_{EXT}=910\Omega$, $T_A=-40\sim 85^{\circ}C$		± 0.1		$\%/V$
Pull-Up Resistor		$R_{IN (up)}$			500		K Ω
Pull-Down Resistor		$R_{IN (down)}$			500		K Ω
Supply Current		"OFF"	$I_{DD (off) 1}$	$R_{EXT}=OPEN$, $OUT0\sim 15=off$	4	6	mA
			$I_{DD (off) 2}$	$R_{EXT}=910\Omega$, $OUT0\sim 15=off$	6	10	
		"ON"	$I_{DD (on) 1}$	$R_{EXT}=910\Omega$, $OUT0\sim 15=on$	6	10	

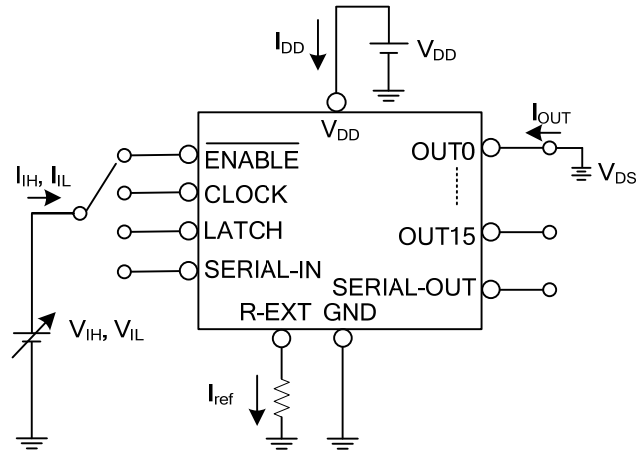
■ SWITCHING CHARACTERISTICS ($V_{DD}=5V$, $T_A=25^{\circ}C$)

PARAMETER		SYMBOL	TEST CONDITIONS	MIN	TYP	MAX	UNIT	
Propagation Delay Time ("L" to "H")	CLOCK-OUT0	t_{pLH}	$V_{DD}=5V$, $V_{IH}=V_{DD}$ $V_{IL}=GND$, $R_{EXT}=1K\Omega$ $V_L=4.5V$, $R_L=150\Omega$ $C_L=10pF$		20		ns	
	LATCH-OUT0				20			
	ENABLE-OUT0				20			
	CLOCK-SERIAL_OUT				10			
Propagation Delay Time ("H" to "L")	CLOCK-OUT0	t_{pHL}				30		ns
	LATCH-OUT0					30		
	ENABLE-OUT0					30		
	CLOCK-SERIAL_OUT					10		
Setup Time for SDI		t_{setup}				5		ns
Hold Time for SDI		t_{hold}				8		ns
Setup Time for LE		$t_{setup (L)}$			15		ns	
Hold Time for LE		$t_{hold (L)}$			10		ns	
Propagation Delay Time	Group1-Group2	t_{GD1}			2		ns	
	Group1-Group3	t_{GD2}			4		ns	
	Group1-Group4	t_{GD3}			6		ns	
Pulse Width	CLOCK	t_{wCLK}			15		ns	
	LATCH	t_{wLATCH}			15		ns	
	ENABLE	t_{wEN}			20		ns	
Output Rise Time of I_{OUT}		t_{or}			10		ns	
Output Fall Time of I_{OUT}		t_{of}			10		ns	

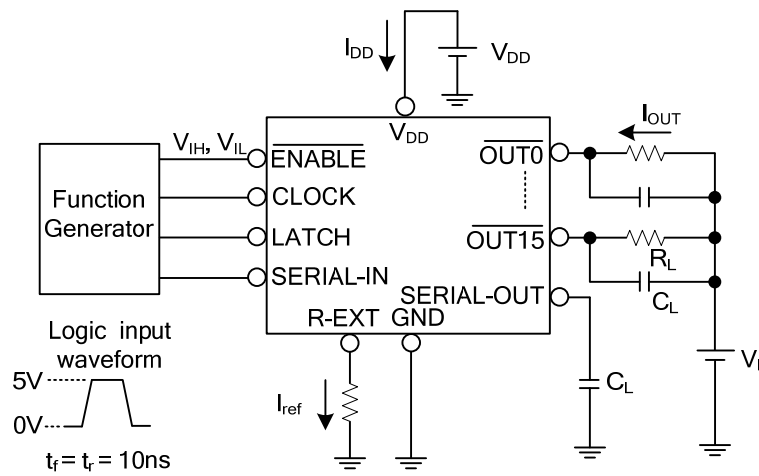
■ SWITCHING CHARACTERISTICS ($V_{DD}=3.3V$, $T_A=25^\circ C$)

PARAMETER		SYMBOL	TEST CONDITIONS	MIN	TYP	MAX	UNIT	
Propagation Delay Time ("L" to "H")	CLOCK-OUT0	t_{pLH}	$V_{DD}=3.3V$, $V_{IH}=V_{DD}$, $V_{IL}=GND$, $R_{EXT}=1K\Omega$, $V_L=3V$, $R_L=100\Omega$, $C_L=10pF$		20		ns	
	LATCH-OUT0				20			
	ENABLE-OUT0				20			
	CLOCK-SERIAL_OUT				10			
Propagation Delay Time ("H" to "L")	CLOCK-OUT0	t_{pHL}			30		ns	
	LATCH-OUT0				30			
	ENABLE-OUT0				30			
	CLOCK-SERIAL_OUT				10			
Setup Time for SDI		t_{setup}			5			ns
Hold Time for SDI		t_{hold}			8			ns
Setup Time for LE		$t_{setup(L)}$			15			ns
Hold Time for LE		$t_{hold(L)}$			15			ns
Propagation Delay Time	Group1-Group2	t_{GD1}		2			ns	
	Group1-Group3	t_{GD2}		4			ns	
	Group1-Group4	t_{GD3}		6			ns	
Pulse Width	CLOCK	t_{WCLK}		20			ns	
	LATCH	t_{WLATCH}		20			ns	
	ENABLE	t_{WEN}		40			ns	
Output Rise Time of I_{OUT}		t_{or}		20			ns	
Output Fall Time of I_{OUT}		t_{of}		20			ns	

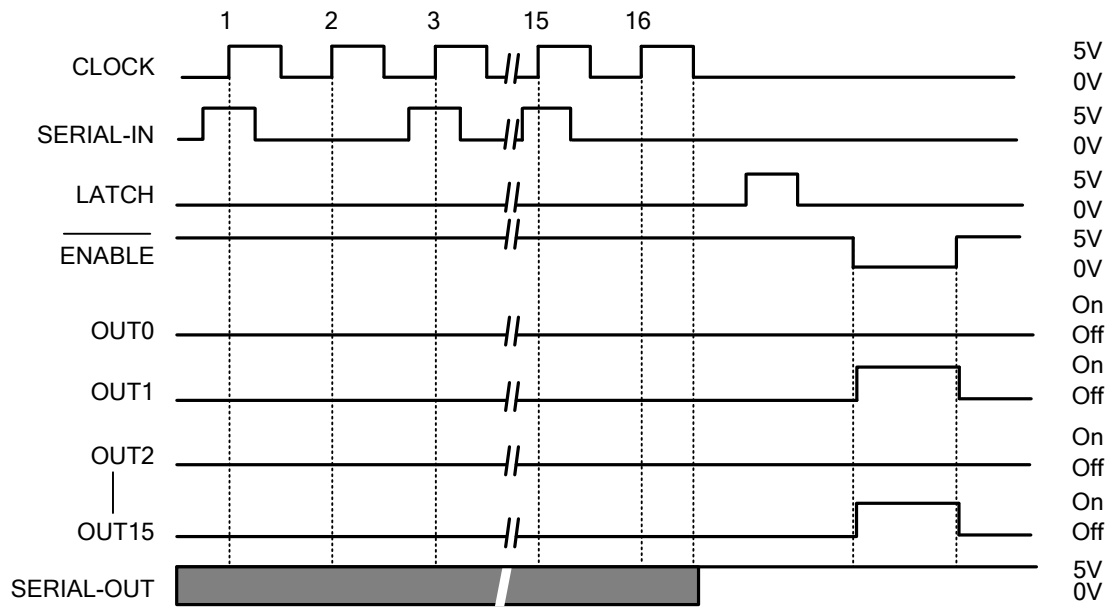
■ TEST CIRCUIT FOR DC ELECTRICAL CHARACTERISTICS



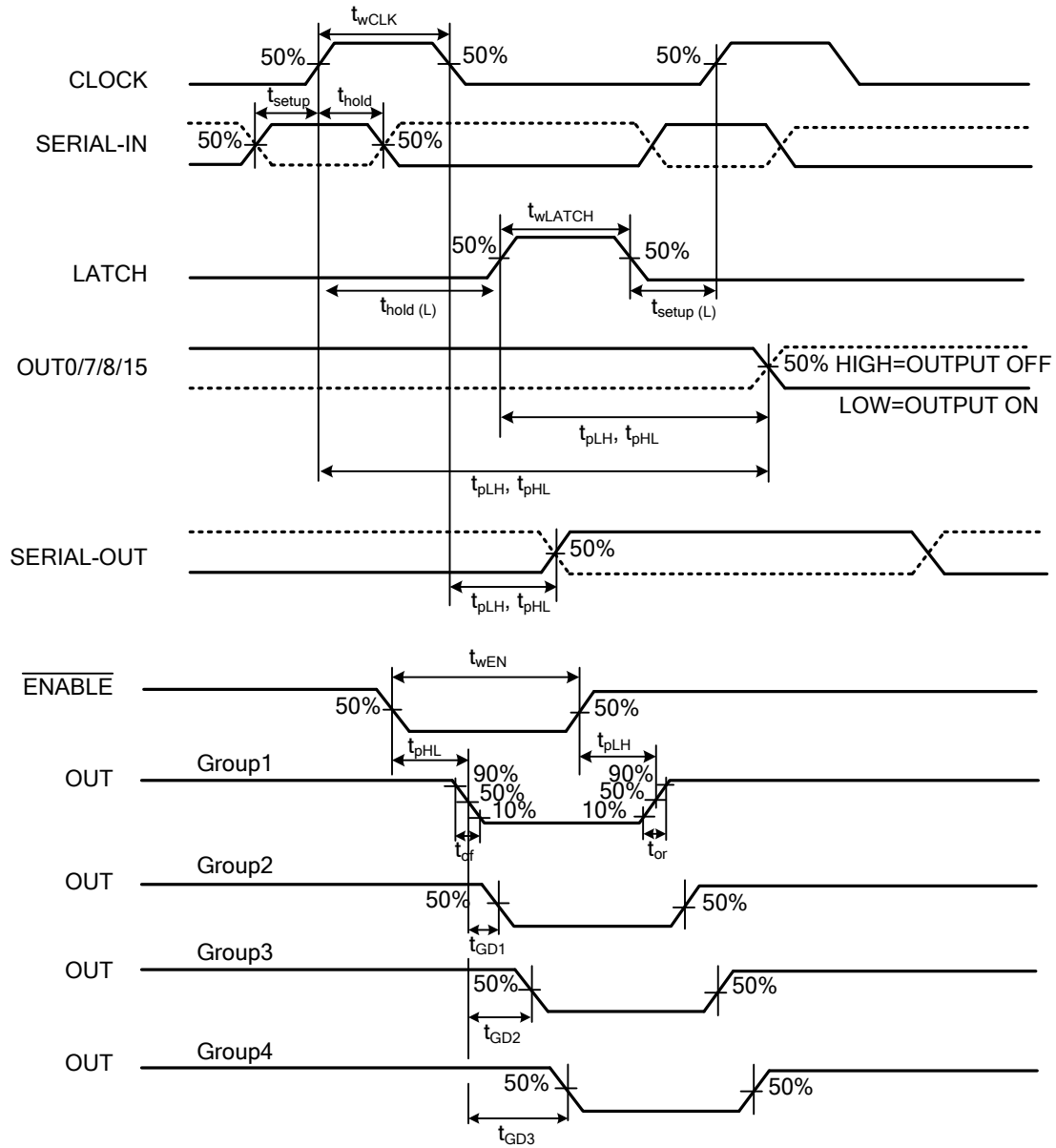
■ TEST CIRCUIT FOR SWITCHING ELECTRICAL CHARACTERISTICS



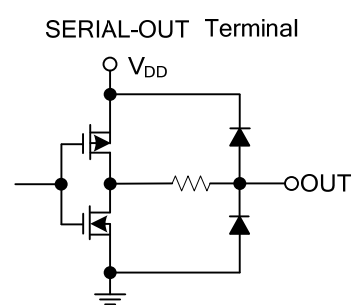
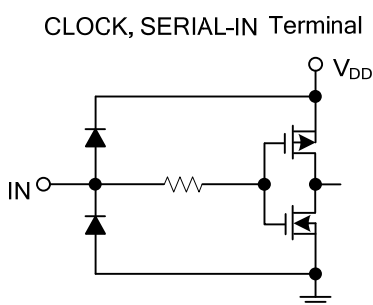
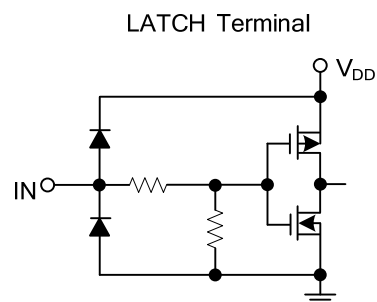
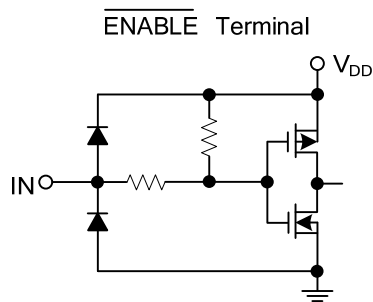
■ TIMING DIAGRAM



■ TIMING WAVEFORM



■ EQUIVALENT CIRCUITS OF INPUTS AND OUTPUTS



UTC assumes no responsibility for equipment failures that result from using products at values that exceed, even momentarily, rated values (such as maximum ratings, operating condition ranges, or other parameters) listed in products specifications of any and all UTC products described or contained herein. UTC products are not designed for use in life support appliances, devices or systems where malfunction of these products can be reasonably expected to result in personal injury. Reproduction in whole or in part is prohibited without the prior written consent of the copyright owner. UTC reserves the right to make changes to information published in this document, including without limitation specifications and product descriptions, at any time and without notice. This document supersedes and replaces all information supplied prior to the publication hereof.