

## 8NM70

### Power MOSFET

## 8A, 700V N-CHANNEL SUPER-JUNCTION MOSFET

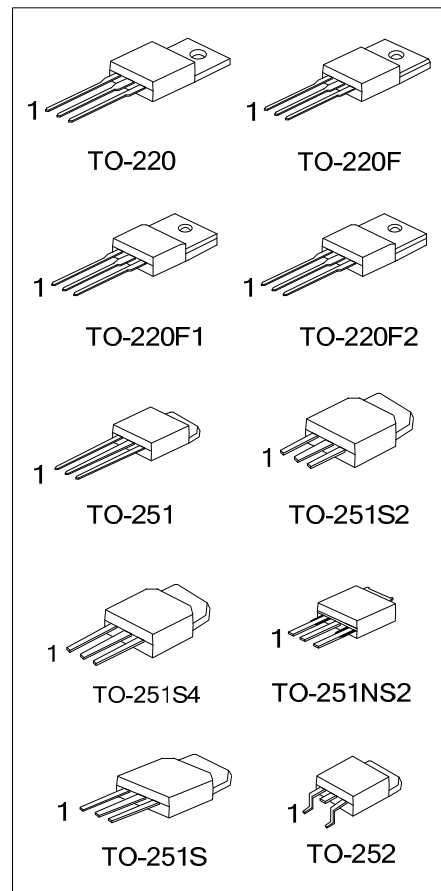
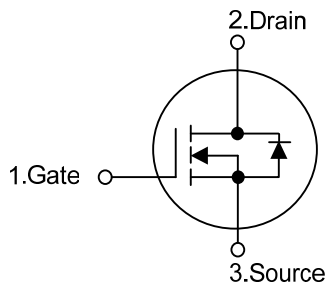
### DESCRIPTION

The **UTC 8NM70** is a Super Junction MOSFET Structure and is designed to have better characteristics, such as fast switching time, low gate charge, low on-state resistance and a high rugged avalanche characteristics. This power MOSFET is usually used at AC-DC converters for power applications.

### FEATURES

- \*  $R_{DS(ON)} \leq 0.85 \Omega @ V_{GS}=10V, I_D=4.0A$
- \* Fast Switching Capability
- \* Avalanche Energy Tested
- \* Improved dv/dt Capability, High Ruggedness

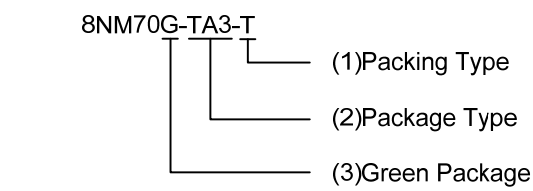
### SYMBOL



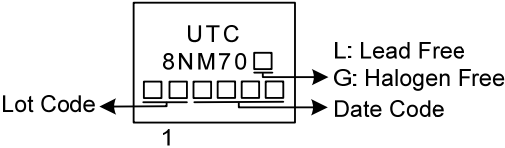
### ORDERING INFORMATION

Ordering Number		Package	Pin Assignment			Packing
Lead Free	Halogen Free		1	2	3	
8NM70L-TA3-T	8NM70G-TA3-T	TO-220	G	D	S	Tube
8NM70L-TF1-T	8NM70G-TF1-T	TO-220F1	G	D	S	Tube
8NM70L-TF2-T	8NM70G-TF2-T	TO-220F2	G	D	S	Tube
8NM70L-TF3-T	8NM70G-TF3-T	TO-220F	G	D	S	Tube
8NM70L-TM3-T	8NM70G-TM3-T	TO-251	G	D	S	Tube
8NM70L-TMS-T	8NM70G-TMS-T	TO-251S	G	D	S	Tube
8NM70L-TMS2-T	8NM70G-TMS2-T	TO-251S2	G	D	S	Tube
8NM70L-TMS4-T	8NM70G-TMS4-T	TO-251S4	G	D	S	Tube
8NM70L-TMN2-T	8NM70G-TMN2-T	TO-251NS2	G	D	S	Tube
8NM70L-TN3-R	8NM70G-TN3-R	TO-252	G	D	S	Tape Reel

Note: Pin Assignment: G: Gate D: Drain S: Source

<p>8NM70G-TA3-T</p> 	<p>(1) T: Tube, R: Tape Reel</p> <p>(2) TA3: TO-220, TF3: TO-220F, TF1: TO-220F1, TF2: TO-220F2, TM3: TO-251, TMS: TO-251S, TMS2: TO-251S2, TMS4: TO-251S4, TN3: TO-252</p> <p>(3) G: Halogen Free and Lead Free, L: Lead Free</p>
---	--

MARKING



■ ABSOLUTE MAXIMUM RATINGS ( $T_C = 25^\circ\text{C}$ , unless otherwise specified)

PARAMETER		SYMBOL	RATINGS	UNIT
Drain-Source Voltage		$V_{DSS}$	700	V
Gate-Source Voltage		$V_{GSS}$	$\pm 30$	V
Drain Current	Continuous	$I_D$	8	A
	Pulsed (Note 2)	$I_{DM}$	16	A
Avalanche Energy	Single Pulsed (Note 3)	$E_{AS}$	200	mJ
Peak Diode Recovery dv/dt (Note 4)		dv/dt	2.3	V/ns
Power Dissipation	TO-220	$P_D$	78	W
	TO-220F/TO-220F1 TO-220F2		29	W
	TO-251/TO-251S TO-251S2/TO-251S4 TO-251NS2/TO-252		56	W
Junction Temperature		$T_J$	+150	$^\circ\text{C}$
Storage Temperature		$T_{STG}$	-55 ~ +150	$^\circ\text{C}$

Notes: 1. Absolute maximum ratings are those values beyond which the device could be permanently damaged.

Absolute maximum ratings are stress ratings only and functional device operation is not implied.

2. Repetitive Rating: Pulse width limited by maximum junction temperature.

3.  $L=100\text{mH}$ ,  $I_{AS}=2.0\text{A}$ ,  $V_{DD}=50\text{V}$ ,  $R_G=25\ \Omega$ , Starting  $T_J = 25^\circ\text{C}$

4.  $I_{SD}\leq 8.0\text{A}$ ,  $di/dt\leq 200\text{A}/\mu\text{s}$ ,  $V_{DD}\leq BV_{DSS}$ , Starting  $T_J = 25^\circ\text{C}$

■ THERMAL DATA

PARAMETER		SYMBOL	RATING	UNIT
Junction to Ambient	TO-220/TO-220F TO-220F1/TO-220F2	$\theta_{JA}$	62.5	$^\circ\text{C}/\text{W}$
	TO-251/TO-251S TO-251S2/TO-251S4 TO-251NS2/TO-252		110	$^\circ\text{C}/\text{W}$
Junction to Case	TO-220	$\theta_{JC}$	1.6	$^\circ\text{C}/\text{W}$
	TO-220F/TO-220F1 TO-220F2		4.31	$^\circ\text{C}/\text{W}$
	TO-251/TO-251S TO-251S2/TO-251S4 TO-251NS2/TO-252		2.19	$^\circ\text{C}/\text{W}$

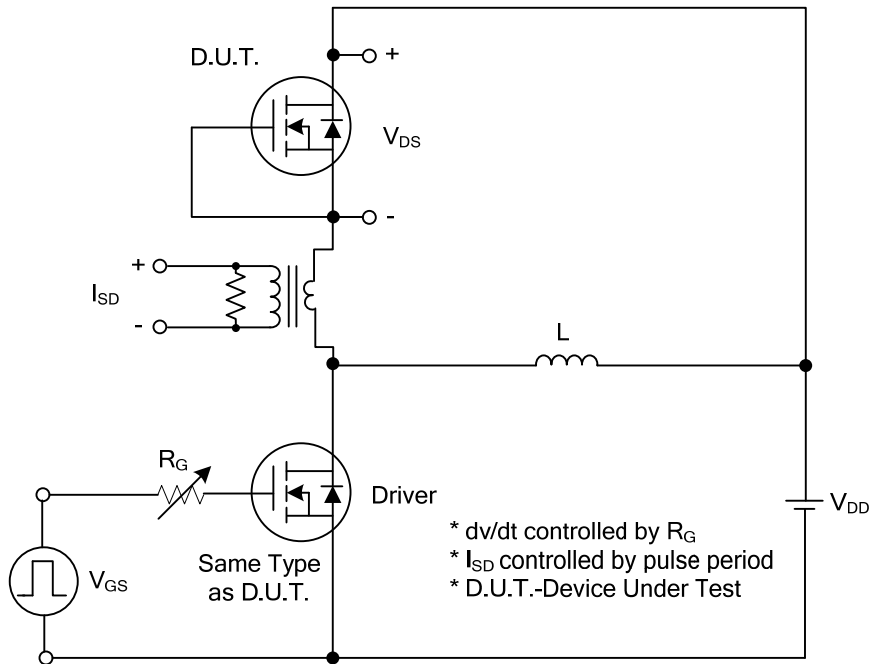
■ ELECTRICAL CHARACTERISTICS ( $T_J=25^\circ\text{C}$ , unless otherwise specified)

PARAMETER		SYMBOL	TEST CONDITIONS	MIN	TYP	MAX	UNIT
<b>OFF CHARACTERISTICS</b>							
Drain-Source Breakdown Voltage		$BV_{DSS}$	$V_{GS} = 0V, I_D = 250\mu A$	700			V
Drain-Source Leakage Current		$I_{DSS}$	$V_{DS} = 700V, V_{GS} = 0V$			10	$\mu A$
Gate- Source Leakage Current	Forward	$I_{GSS}$	$V_{GS} = 30V, V_{DS} = 0V$			100	nA
	Reverse		$V_{GS} = -30V, V_{DS} = 0V$			-100	nA
<b>ON CHARACTERISTICS</b>							
Gate Threshold Voltage		$V_{GS(TH)}$	$V_{DS} = V_{GS}, I_D = 250\mu A$	2.5		4.5	V
Static Drain-Source On-State Resistance		$R_{DS(ON)}$	$V_{GS} = 10V, I_D = 4.0A$			0.85	$\Omega$
<b>DYNAMIC CHARACTERISTICS</b>							
Input Capacitance		$C_{ISS}$	$V_{GS}=0V, V_{DS}=25V, f=1.0\text{ MHz}$		460		pF
Output Capacitance		$C_{OSS}$			330		pF
Reverse Transfer Capacitance		$C_{RSS}$			27		pF
<b>SWITCHING CHARACTERISTICS</b>							
Total Gate Charge (Note 1)		$Q_G$	$V_{DS}=560V, V_{GS}=10V, I_D=8.0A, I_G=1mA$ (Note 1, 2)		22		nC
Gate to Source Charge		$Q_{GS}$			6		nC
Gate to Drain Charge		$Q_{GD}$			8		nC
Turn-ON Delay Time (Note 1)		$t_{D(ON)}$	$V_{DD}=100V, V_{GS}=10V, I_D=8.0A, R_G=25\Omega$ (Note 1, 2)		9		ns
Rise Time		$t_R$			20		ns
Turn-OFF Delay Time		$t_{D(OFF)}$			50		ns
Fall-Time		$t_F$			37		ns
<b>SOURCE- DRAIN DIODE RATINGS AND CHARACTERISTICS</b>							
Maximum Body-Diode Continuous Current		$I_S$				8	A
Maximum Body-Diode Pulsed Current		$I_{SM}$				16	A
Drain-Source Diode Forward Voltage (Note 1)		$V_{SD}$	$I_S=8.0A, V_{GS}=0V$			1.4	V
Body Diode Reverse Recovery Time (Note 1)		$t_{rr}$	$I_S=8.0A, V_{GS}=0V,$		310		ns
Body Diode Reverse Recovery Charge		$Q_{rr}$	$di_f/dt=100A/\mu s$		7.3		$\mu C$

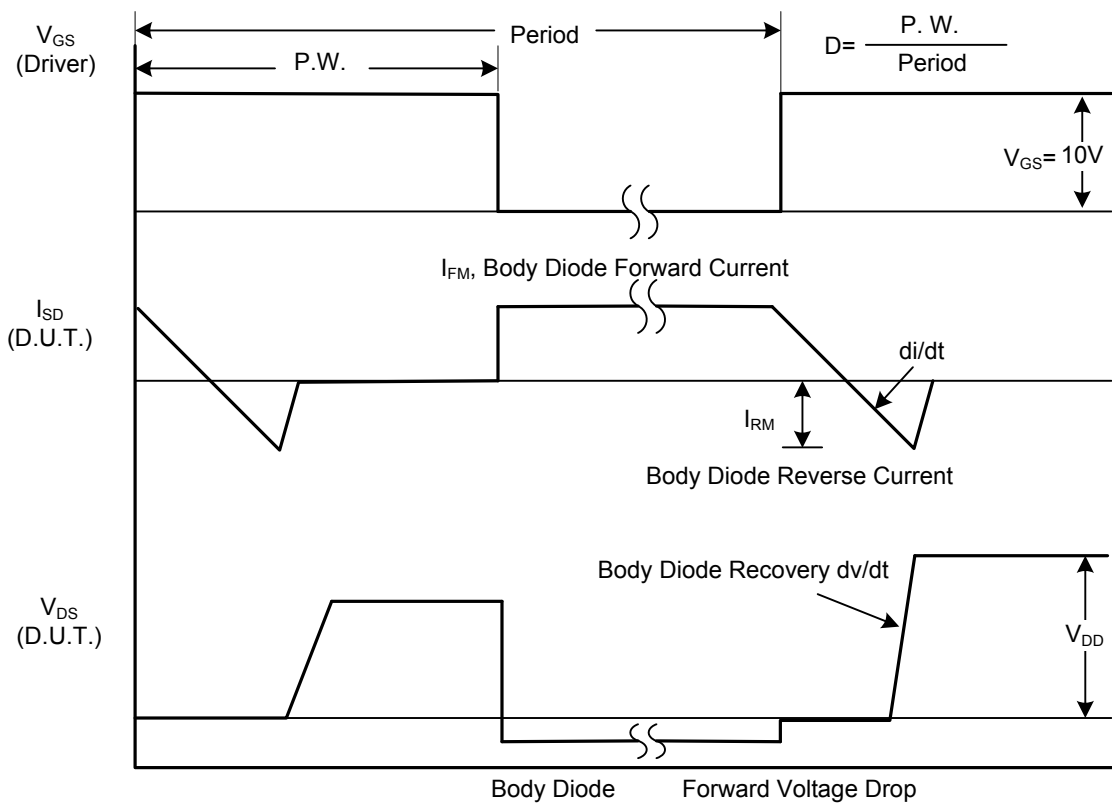
Notes: 1. Pulse Test: Pulse width  $\leq 300\mu s$ , Duty cycle  $\leq 2\%$ .

2. Essentially independent of operating temperature.

■ TEST CIRCUITS AND WAVEFORMS

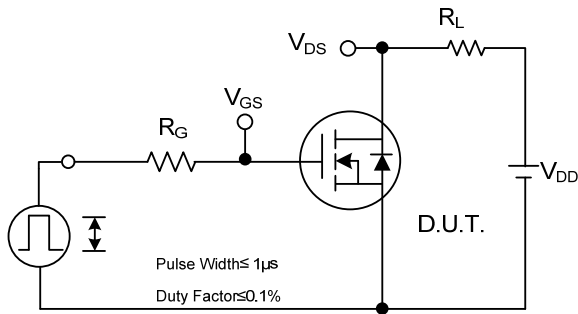


Peak Diode Recovery dv/dt Test Circuit

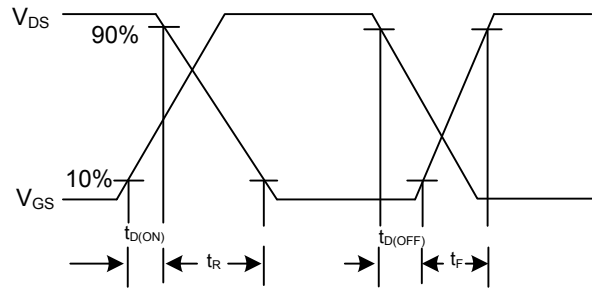


Peak Diode Recovery dv/dt Waveforms

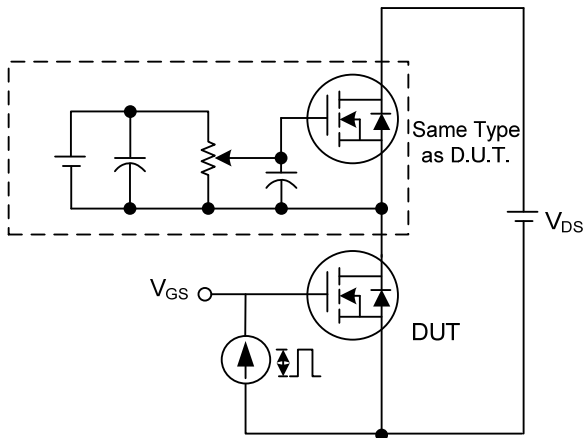
■ TEST CIRCUITS AND WAVEFORMS



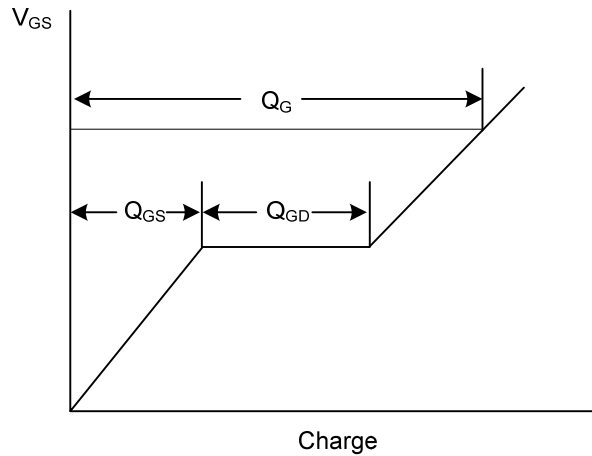
Switching Test Circuit



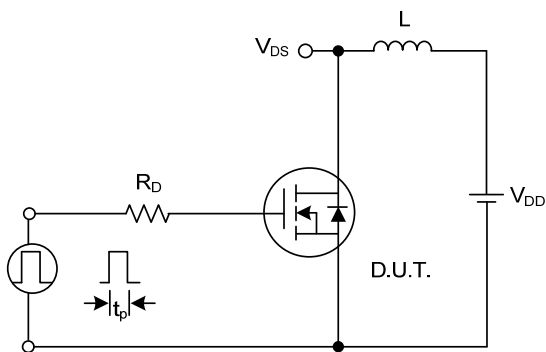
Switching Waveforms



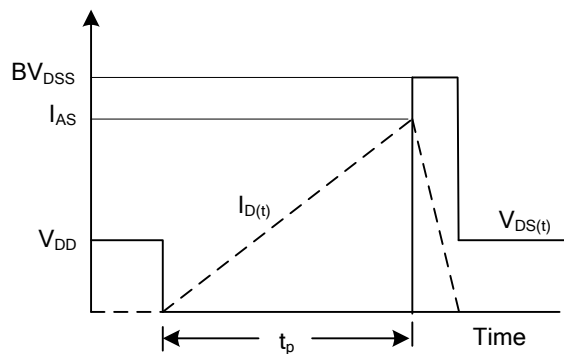
Gate Charge Test Circuit



Gate Charge Waveform

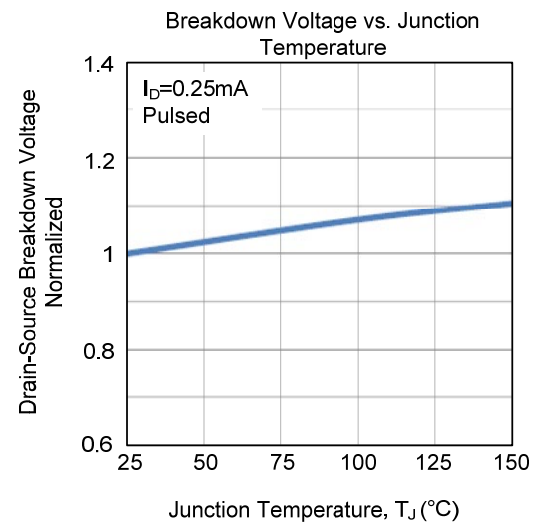
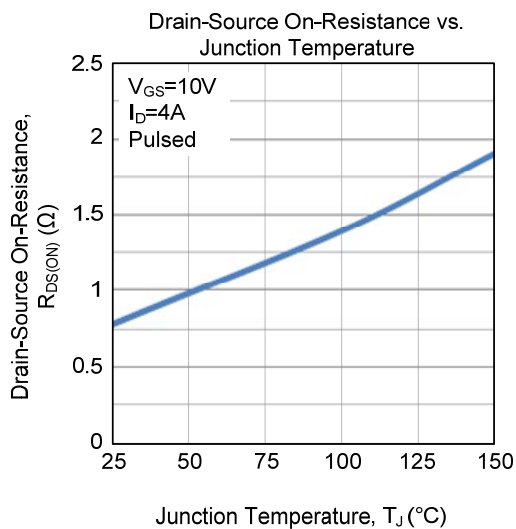
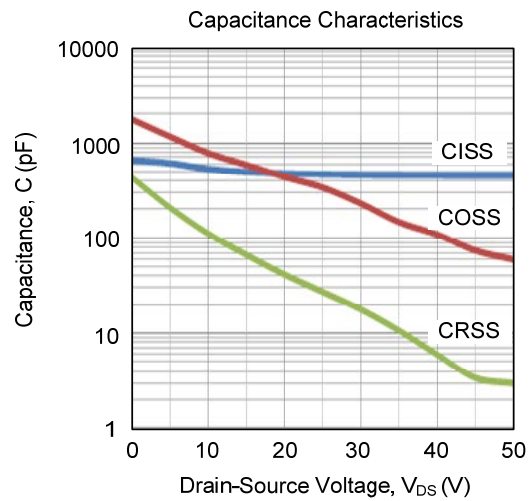
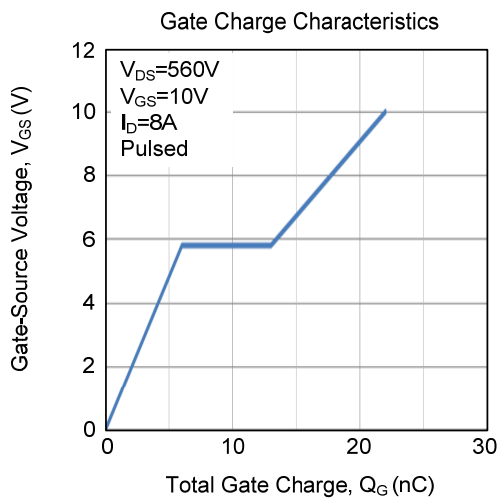
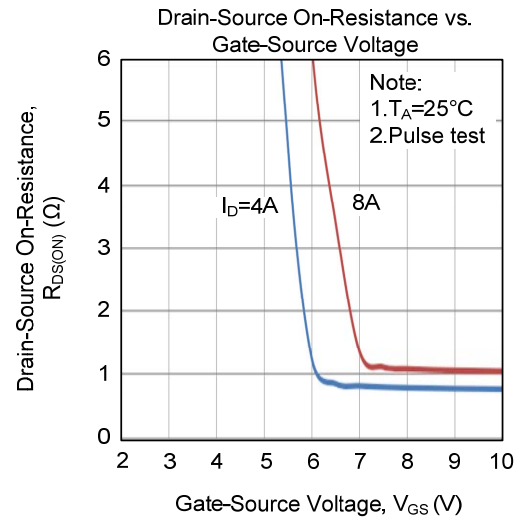
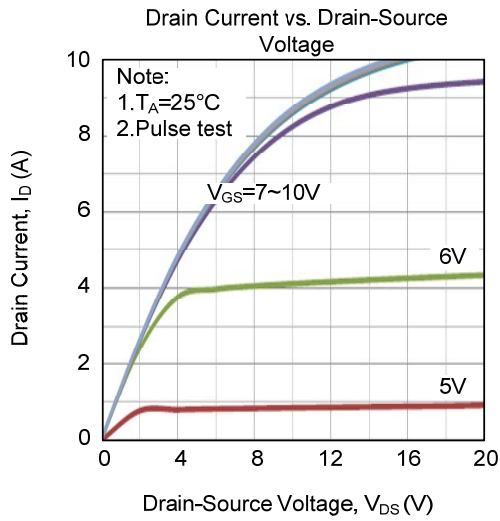


Unclamped Inductive Switching Test Circuit

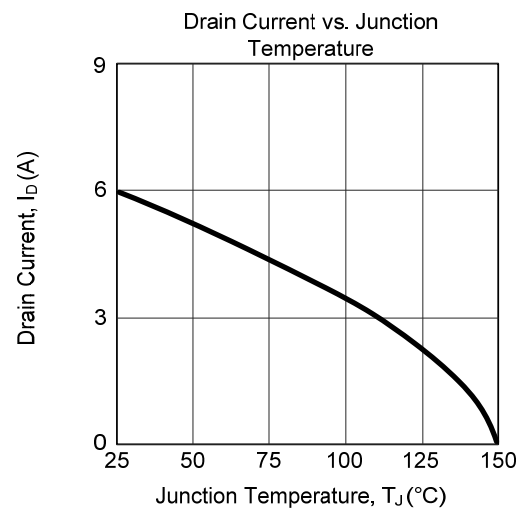
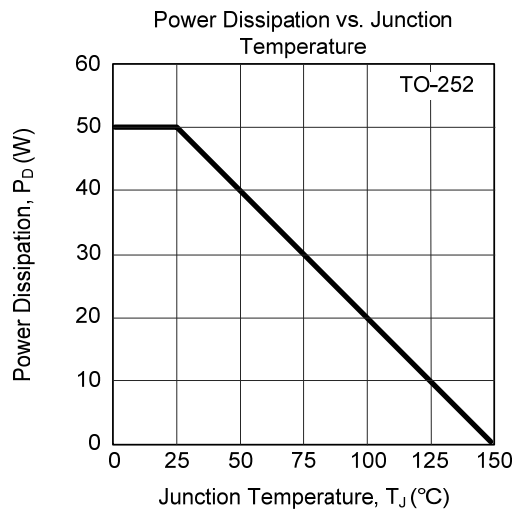
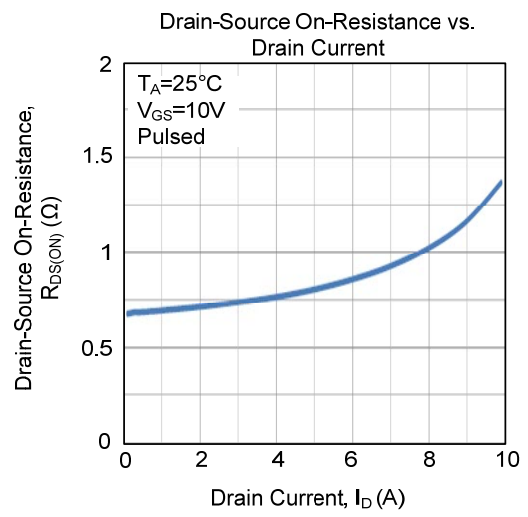
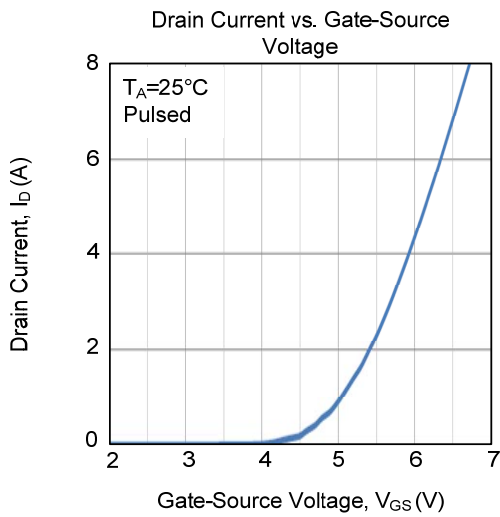
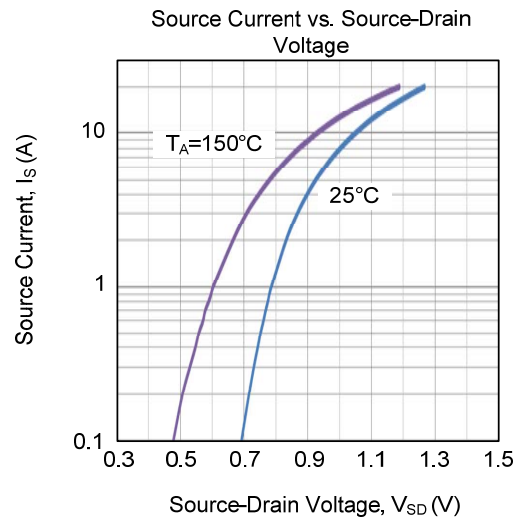
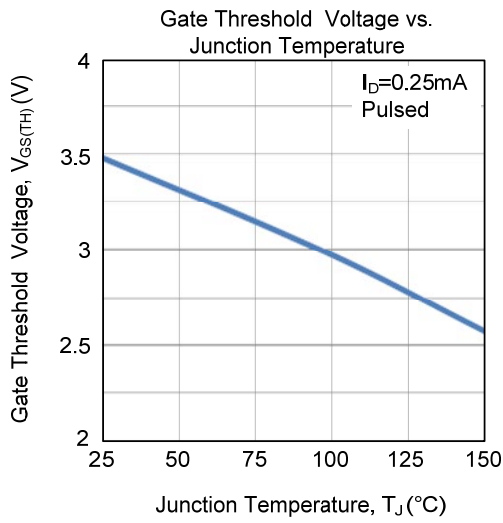


Unclamped Inductive Switching Waveforms

## TYPICAL CHARACTERISTICS

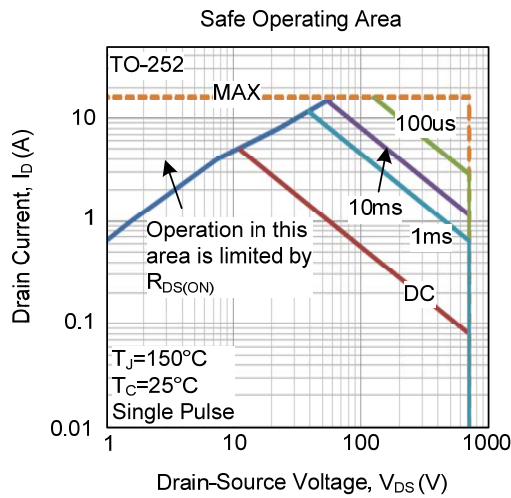


■ TYPICAL CHARACTERISTICS (Cont.)





■ TYPICAL CHARACTERISTICS (Cont.)



UTC assumes no responsibility for equipment failures that result from using products at values that exceed, even momentarily, rated values (such as maximum ratings, operating condition ranges, or other parameters) listed in products specifications of any and all UTC products described or contained herein. UTC products are not designed for use in life support appliances, devices or systems where malfunction of these products can be reasonably expected to result in personal injury. Reproduction in whole or in part is prohibited without the prior written consent of the copyright owner. UTC reserves the right to make changes to information published in this document, including without limitation specifications and product descriptions, at any time and without notice. This document supersedes and replaces all information supplied prior to the publication hereof.