

12NM80

Power MOSFET

12A, 800V N-CHANNEL SUPER-JUNCTION MOSFET

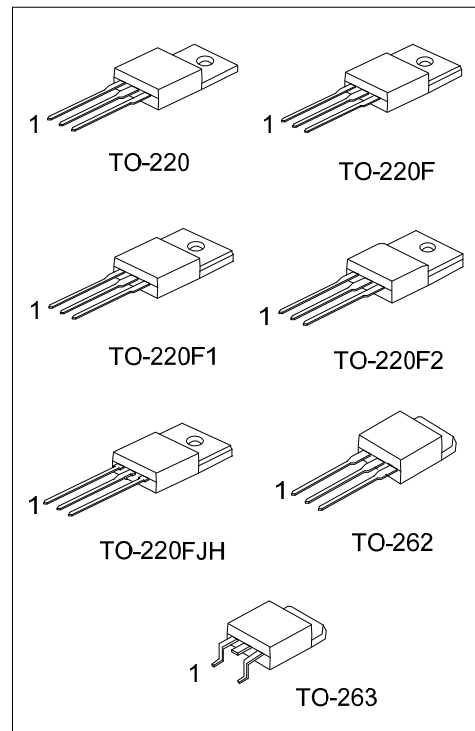
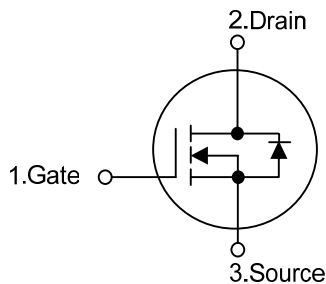
DESCRIPTION

The **UTC 12NM80** is a Super Junction MOSFET Structure and is designed to have better characteristics, such as fast switching time, low gate charge, low on-state resistance and a high rugged avalanche characteristics. This power MOSFET is usually used at AC-DC converters for power applications.

FEATURES

- * $R_{DS(ON)} \leq 0.42 \Omega @ V_{GS}=10V, I_D=6.0A$
- * Fast switching capability
- * Avalanche energy tested
- * Improved dv/dt capability, high ruggedness

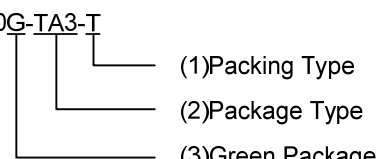
SYMBOL



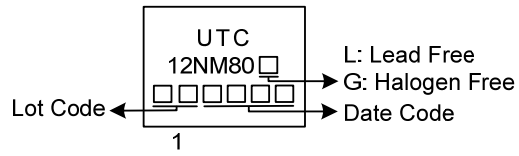
ORDERING INFORMATION

Ordering Number		Package	Pin Assignment			Packing
Lead Free	Halogen Free		1	2	3	
12NM80L-TA3-T	12NM80G-TA3-T	TO-220	G	D	S	Tube
12NM80L-TF1-T	12NM80G-TF1-T	TO-220F1	G	D	S	Tube
12NM80L-TF2-T	12NM80G-TF2-T	TO-220F2	G	D	S	Tube
12NM80L-TF3-T	12NM80G-TF3-T	TO-220F	G	D	S	Tube
12NM80L-TFJH-T	12NM80G-TFJH-T	TO-220FJH	G	D	S	Tube
12NM80L-T2Q-T	12NM80G-T2Q-T	TO-262	G	D	S	Tube
12NM80L-TQ2-T	12NM80G-TQ2-T	TO-263	G	D	S	Tube
12NM80L-TQ2-R	12NM80G-TQ2-R	TO-263	G	D	S	Tape Reel

Note: Pin Assignment: G: Gate D: Drain S: Source

<p>12NM80G-TA3-T</p>  <p>(1)Packing Type (2)Package Type (3)Green Package</p>	<p>(1) T: Tube, R: Tape Reel (2) TA3: TO-220, TF1: TO-220F1, TF2: TO-220F2 TF3: TO-220F, TFJH: TO-220FJH, T2Q: TO-262, TQ2: TO-263 (3) G: Halogen Free and Lead Free, L: Lead Free</p>
--	--

■ MARKING



■ ABSOLUTE MAXIMUM RATINGS ($T_C = 25^\circ\text{C}$, unless otherwise specified)

PARAMETER		SYMBOL	RATINGS	UNIT
Drain-Source Voltage		V_{DSS}	800	V
Gate-Source Voltage		V_{GSS}	± 30	V
Drain Current	Continuous	I_D	12	A
	Pulsed (Note 2)	I_{DM}	24	A
Avalanche Current (Note 2)		I_{AR}	3.5	A
Avalanche Energy	Single Pulsed (Note 3)	E_{AS}	140	mJ
Peak Diode Recovery dv/dt (Note 4)		dv/dt	3.64	V/ns
Power Dissipation	TO-220/TO-262	P_D	86	W
	TO-263			
	TO-220F/TO-220F1		30	W
	TO-220F2/TO-220FJH			
Junction Temperature		T_J	+150	$^\circ\text{C}$
Storage Temperature		T_{STG}	-55 ~ +150	$^\circ\text{C}$

Notes: 1. Absolute maximum ratings are those values beyond which the device could be permanently damaged.

Absolute maximum ratings are stress ratings only and functional device operation is not implied.

2. Repetitive Rating: Pulse width limited by maximum junction temperature.

3. $L=10\text{mH}$, $I_{AS}=5.3\text{A}$, $V_{DD}=50\text{V}$, $R_G=25\Omega$, Starting $T_J = 25^\circ\text{C}$

4. $I_{SD} \leq 12\text{A}$, $di/dt \leq 200\text{A}/\mu\text{s}$, $V_{DD} \leq BV_{DSS}$, Starting $T_J = 25^\circ\text{C}$

■ THERMAL DATA

PARAMETER		SYMBOL	RATING	UNIT
Junction to Ambient		θ_{JA}	62.5	$^\circ\text{C}/\text{W}$
Junction to Case	TO-220/TO-262	θ_{JC}	1.45	$^\circ\text{C}/\text{W}$
	TO-263			
	TO-220F/TO-220F1		4.17	$^\circ\text{C}/\text{W}$
	TO-220F2/TO-220FJH			

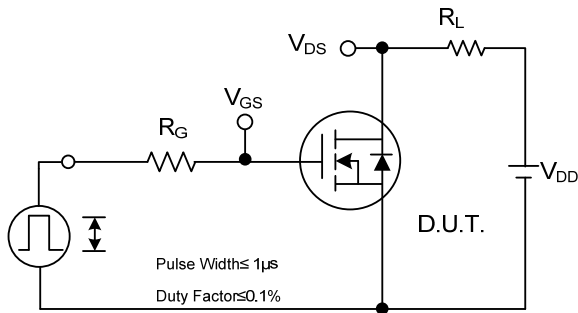
■ ELECTRICAL CHARACTERISTICS ($T_J=25^\circ\text{C}$, unless otherwise specified)

PARAMETER	SYMBOL	TEST CONDITIONS	MIN	TYP	MAX	UNIT
OFF CHARACTERISTICS						
Drain-Source Breakdown Voltage	BV_{DSS}	$V_{GS} = 0V, I_D = 250\mu A$	800			V
Drain-Source Leakage Current	I_{DSS}	$V_{DS} = 800V, V_{GS} = 0V$			10	μA
Gate-Source Leakage Current	I_{GSS}	$V_{GS} = 30V, V_{DS} = 0V$			100	nA
		$V_{GS} = -30V, V_{DS} = 0V$			-100	nA
ON CHARACTERISTICS						
Gate Threshold Voltage	$V_{GS(TH)}$	$V_{DS} = V_{GS}, I_D = 250\mu A$	2.5		4.5	V
Static Drain-Source On-State Resistance	$R_{DS(ON)}$	$V_{GS} = 10V, I_D = 6.0A$			0.42	Ω
DYNAMIC CHARACTERISTICS						
Input Capacitance	C_{ISS}	$V_{GS}=0V, V_{DS}=25V, f=1.0MHz$		1255		pF
Output Capacitance	C_{OSS}			550		pF
Reverse Transfer Capacitance	C_{RSS}			21		pF
SWITCHING CHARACTERISTICS						
Total Gate Charge (Note 1)	Q_G	$V_{DS}=640V, V_{GS}=10V, I_D=12A, I_G=1mA$ (Note 1,2)		50		nC
Gate to Source Charge	Q_{GS}			8		nC
Gate to Drain Charge	Q_{GD}			18		nC
Turn-ON Delay Time (Note 1)	$t_{D(ON)}$	$V_{DD}=100V, V_{GS}=10V, I_D=12A, R_G=25\Omega$, (Note 1,2)		18		nS
Rise Time	t_R			24		nS
Turn-OFF Delay Time	$t_{D(OFF)}$			170		nS
Fall-Time	t_F			75		nS
SOURCE- DRAIN DIODE RATINGS AND CHARACTERISTICS						
Maximum Body-Diode Continuous Current	I_S				12	A
Maximum Body-Diode Pulsed Current	I_{SM}				24	A
Drain-Source Diode Forward Voltage (Note 1)	V_{SD}	$I_S=12A, V_{GS}=0V$			1.4	V
Body Diode Reverse Recovery Time (Note 1)	t_{rr}	$I_S=12A, V_{GS}=0V$		465		nS
Body Diode Reverse Recovery Charge	Q_{rr}	$dI_F/dt=100A/\mu s$		8.4		μC

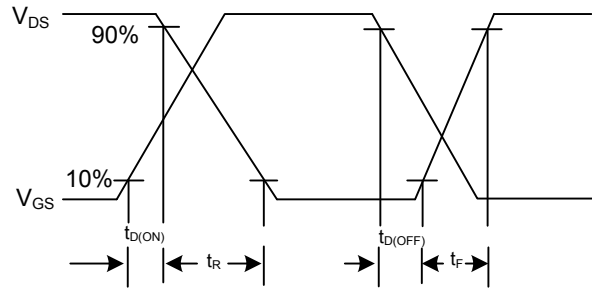
Notes: 1. Pulse Test : Pulse width $\leq 300\mu s$, Duty cycle $\leq 2\%$.

2. Essentially independent of operating ambient temperature.

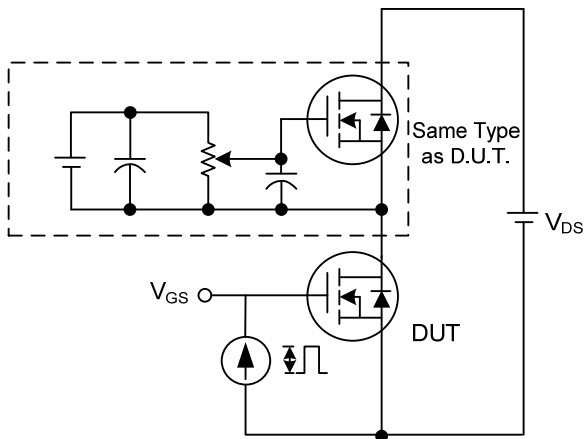
TEST CIRCUITS AND WAVEFORMS



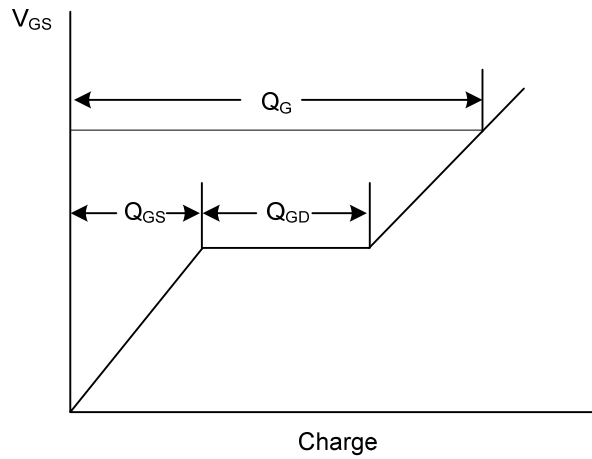
Switching Test Circuit



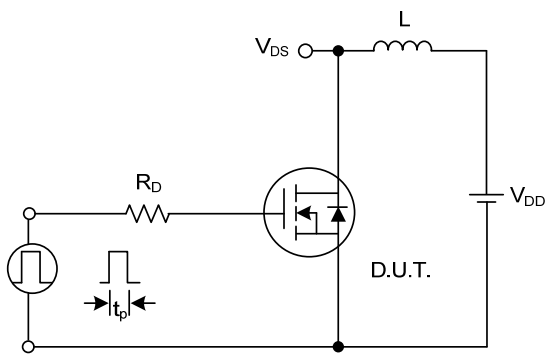
Switching Waveforms



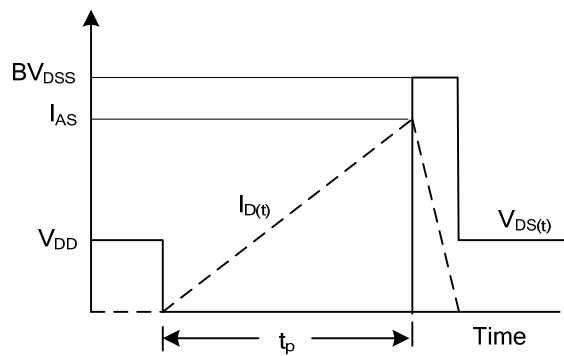
Gate Charge Test Circuit



Gate Charge Waveform

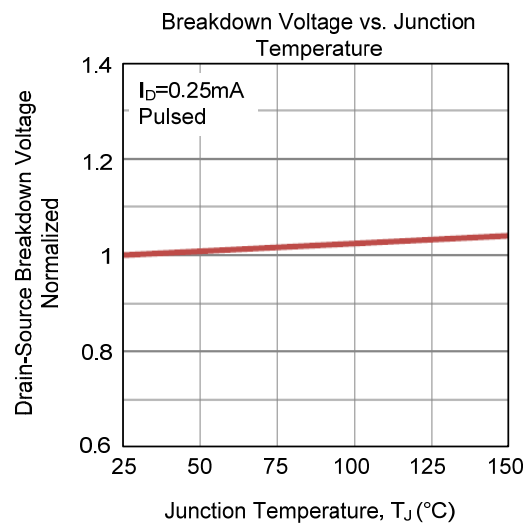
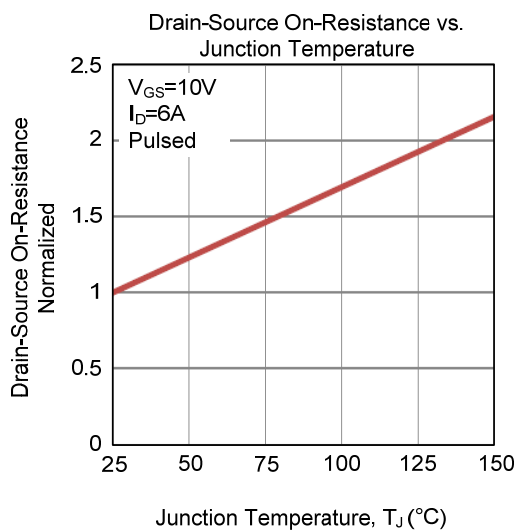
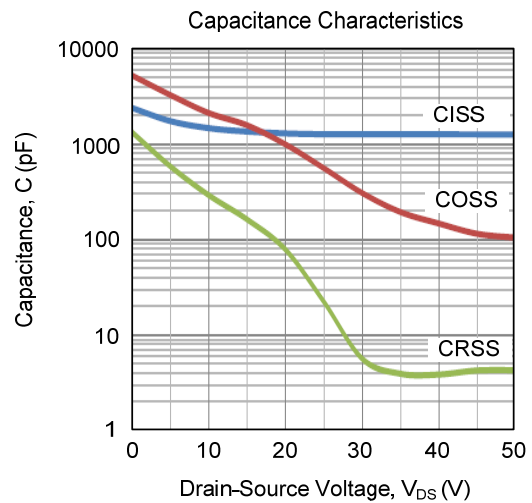
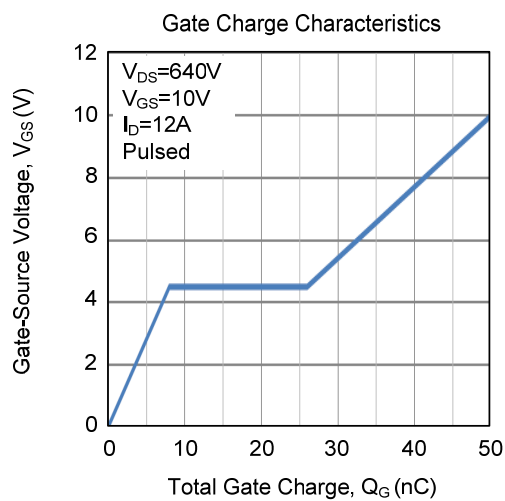
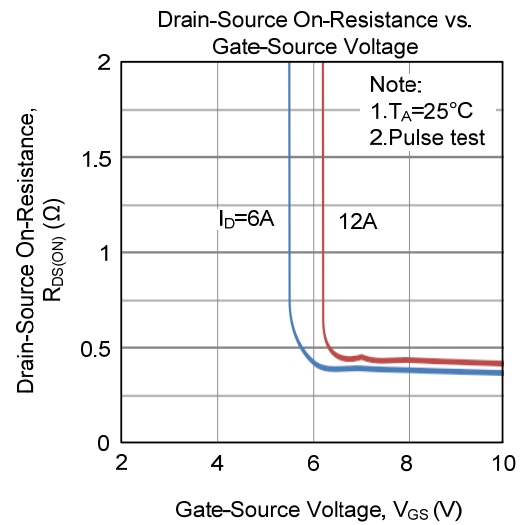
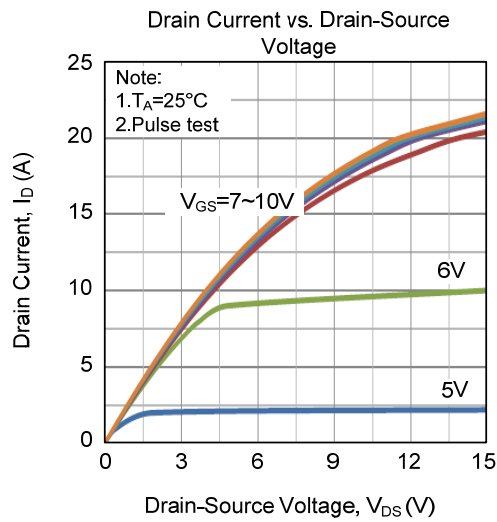


Unclamped Inductive Switching Test Circuit

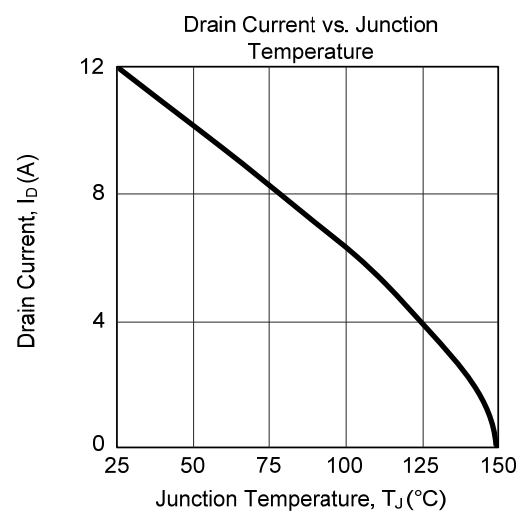
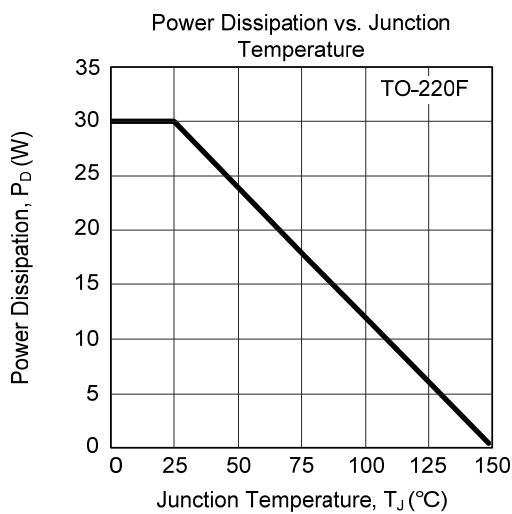
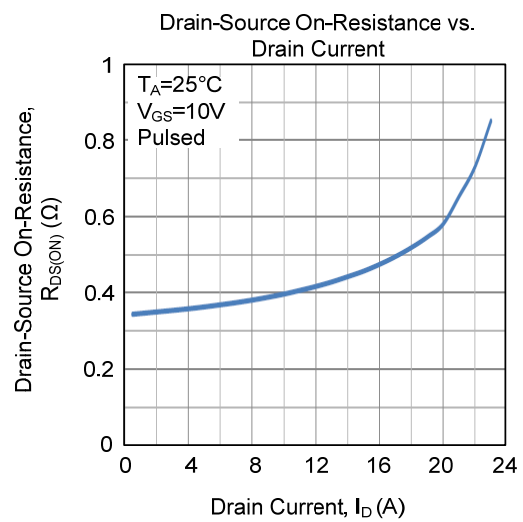
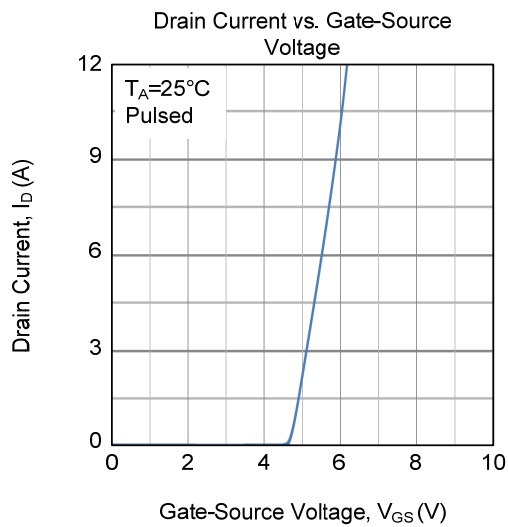
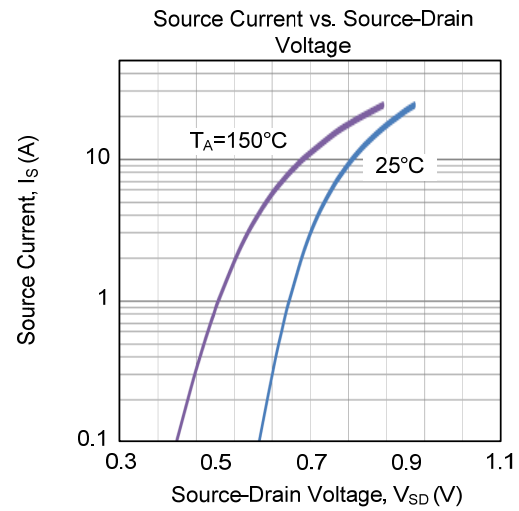
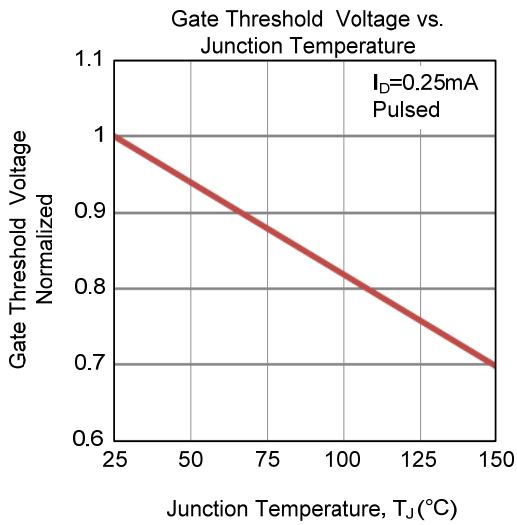


Unclamped Inductive Switching Waveforms

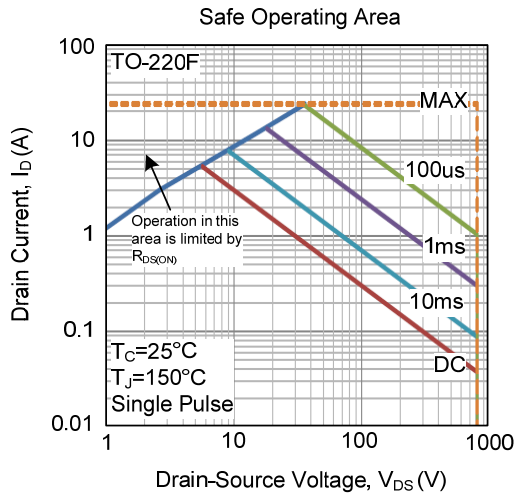
TYPICAL CHARACTERISTICS



■ TYPICAL CHARACTERISTICS (Cont.)



■ TYPICAL CHARACTERISTICS (Cont.)



UTC assumes no responsibility for equipment failures that result from using products at values that exceed, even momentarily, rated values (such as maximum ratings, operating condition ranges, or other parameters) listed in products specifications of any and all UTC products described or contained herein. UTC products are not designed for use in life support appliances, devices or systems where malfunction of these products can be reasonably expected to result in personal injury. Reproduction in whole or in part is prohibited without the prior written consent of the copyright owner. UTC reserves the right to make changes to information published in this document, including without limitation specifications and product descriptions, at any time and without notice. This document supersedes and replaces all information supplied prior to the publication hereof.