



UMUR860

DIODE

SWITCHMODE POWER RECTIFIERS

■ **DESCRIPTION**

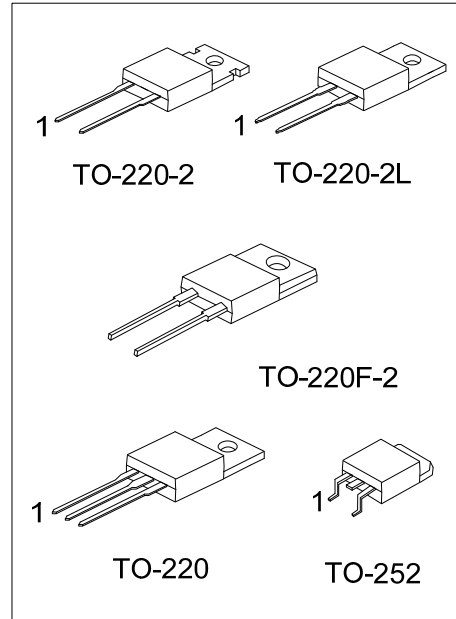
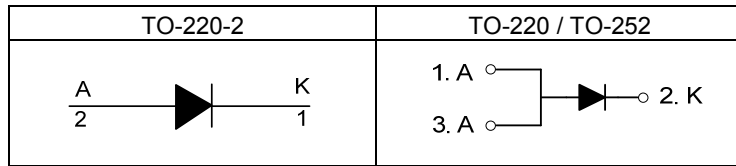
The UTC **UMUR860** is a switchmode power rectifiers, it uses UTC's advanced technology to provide customers with low forward voltage and low leakage current, etc.

The UTC **UMUR860** is suitable for free inverters and switching power supplies, etc.

■ **FEATURES**

- * Low forward voltage
- * Low leakage current

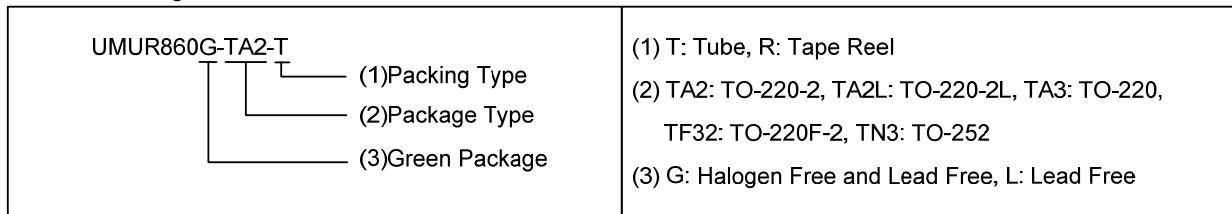
■ **SYMBOL**



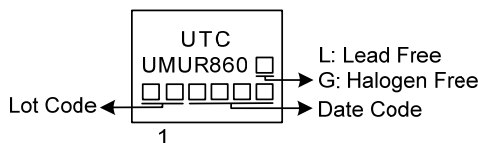
■ **ORDERING INFORMATION**

Ordering Number		Package	Pin Assignment			Packing
Lead Free	Halogen Free		1	2	3	
UMUR860L-TA2-T	UMUR860G-TA2-T	TO-220-2	K	A	NC	Tube
UMUR860L-TA2L-T	UMUR860G-TA2L-T	TO-220-2L	K	A	NC	Tube
UMUR860L-TA3-T	UMUR860G-TA3-T	TO-220	A	K	A	Tube
UMUR860L-TF32-R	UMUR860G-TF32-R	TO-220F-2	K	A	NC	Tube
UMUR860L-TN3-R	UMUR860G-TN3-R	TO-252	A	K	A	Tape Reel

Note: Pin Assignment: A: Anode K: Cathode



■ **MARKING**



■ ABSOLUTE MAXIMUM RATINGS

PARAMETER	SYMBOL	RATINGS	UNIT
DC Blocking Voltage	V_R	600	V
Working Peak Reverse Voltage	V_{RWM}	600	V
Peak Repetitive Reverse Voltage	V_{RRM}	600	V
Average Rectified Forward Current Per Total Device, (Rated V_R), $T_C=150^{\circ}C$	$I_{F(AV)}$	8	A
Peak Repetitive Forward Current (Rated V_R , Square Wave, 20kHz), $T_C=150^{\circ}C$	I_{FM}	16	A
Non-Repetitive Peak Surge Current (Surge Applied at Rated Load Conditions Halfwave, Single Phase, 60Hz)	I_{FSM}	100	A
Operating Junction Temperature	T_J	-65 ~ +175	$^{\circ}C$
Storage Temperature	T_{STG}	-65 ~ +175	$^{\circ}C$

Note: Absolute maximum ratings are those values beyond which the device could be permanently damaged. Absolute maximum ratings are stress ratings only and functional device operation is not implied.

■ THERMAL CHARACTERISTICS

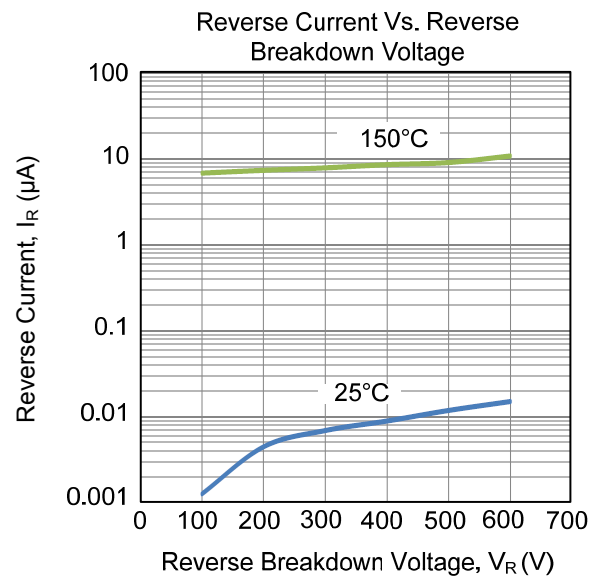
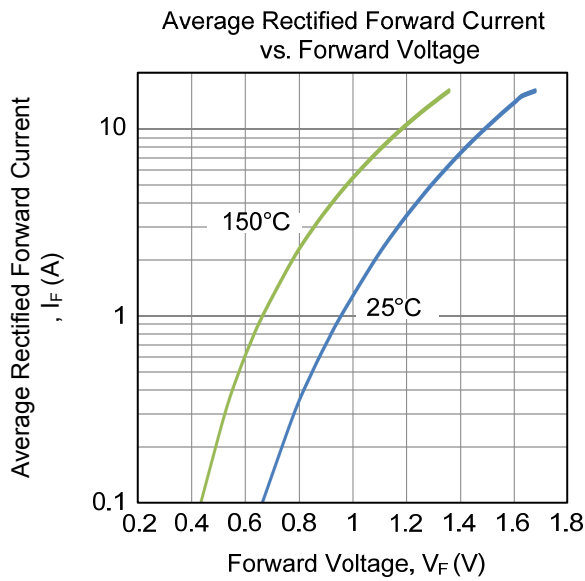
PARAMETER	SYMBOL	RATINGS	UNIT
Junction to Ambient	θ_{JA}	73	$^{\circ}C/W$
		110	$^{\circ}C/W$
Junction to Case	θ_{JC}	3	$^{\circ}C/W$
		6	$^{\circ}C/W$

■ ELECTRICAL CHARACTERISTICS

PARAMETER	SYMBOL	TEST CONDITIONS	MIN	TYP	MAX	UNIT
Instantaneous Forward Voltage (Note)	V_{FM}	$I_F=8A, T_C=25^{\circ}C$			1.50	V
		$I_F=8A, T_C=150^{\circ}C$			1.20	V
Instantaneous Reverse Current (Note)	I_{RM}	Rated DC Voltage, $T_J=25^{\circ}C$			5.0	μA
		Rated DC Voltage, $T_J=150^{\circ}C$			250	μA
Reverse Recovery Time	t_{RR}	$I_F=1A, di/dt=50A/\mu s$			60	ns

Note: Pulse Test: Pulse Width=300 μs , Duty Cycle \leq 2.0%.

■ TYPICAL CHARACTERISTICS



UTC assumes no responsibility for equipment failures that result from using products at values that exceed, even momentarily, rated values (such as maximum ratings, operating condition ranges, or other parameters) listed in products specifications of any and all UTC products described or contained herein. UTC products are not designed for use in life support appliances, devices or systems where malfunction of these products can be reasonably expected to result in personal injury. Reproduction in whole or in part is prohibited without the prior written consent of the copyright owner. UTC reserves the right to make changes to information published in this document, including without limitation specifications and product descriptions, at any time and without notice. This document supersedes and replaces all information supplied prior to the publication hereof.