



## L5109

Advance

CMOS IC

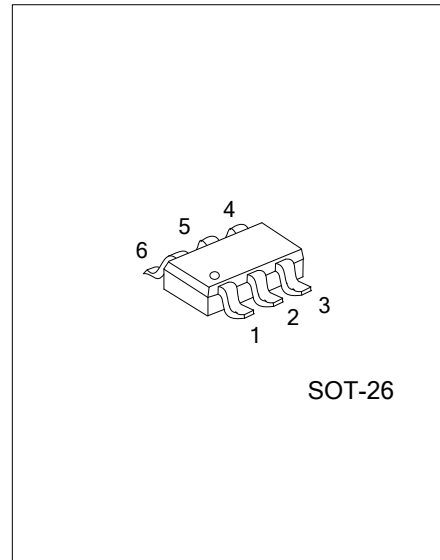
### WHITE LED STEP-UP CONVERTER

#### DESCRIPTION

The UTC **L5109** is an inductor-based DC/DC converter designed to drive up to six white LEDs in series or 2 rows of LEDs with 5 for each in parallel for backlight. Only one feedback resistor is needed to control the LED current and obtain required brightness.

#### FEATURES

- \* Inherently Uniform LED Current
- \* High Efficiency up to 83.5%
- \* No Need for External Schottky Diode
- \* Over Output Voltage Protection
- \* OVP
- \* 1.2MHz Switching Frequency

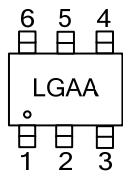


#### ORDERING INFORMATION

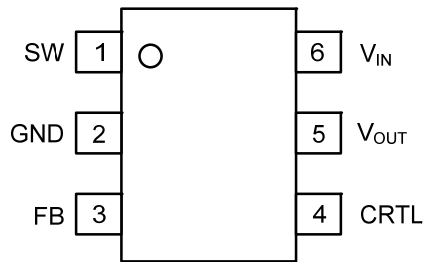
Ordering Number	Package	Packing
L5109G-AG6-R	SOT-26	Tape Reel

<p>L5109G-AG6-R</p>	<p>(1) R: Tape Reel  (2) AG6: SOT-26  (3) G: Halogen Free and Lead Free</p>
---------------------	-------------------------------------------------------------------------------------

#### MARKING



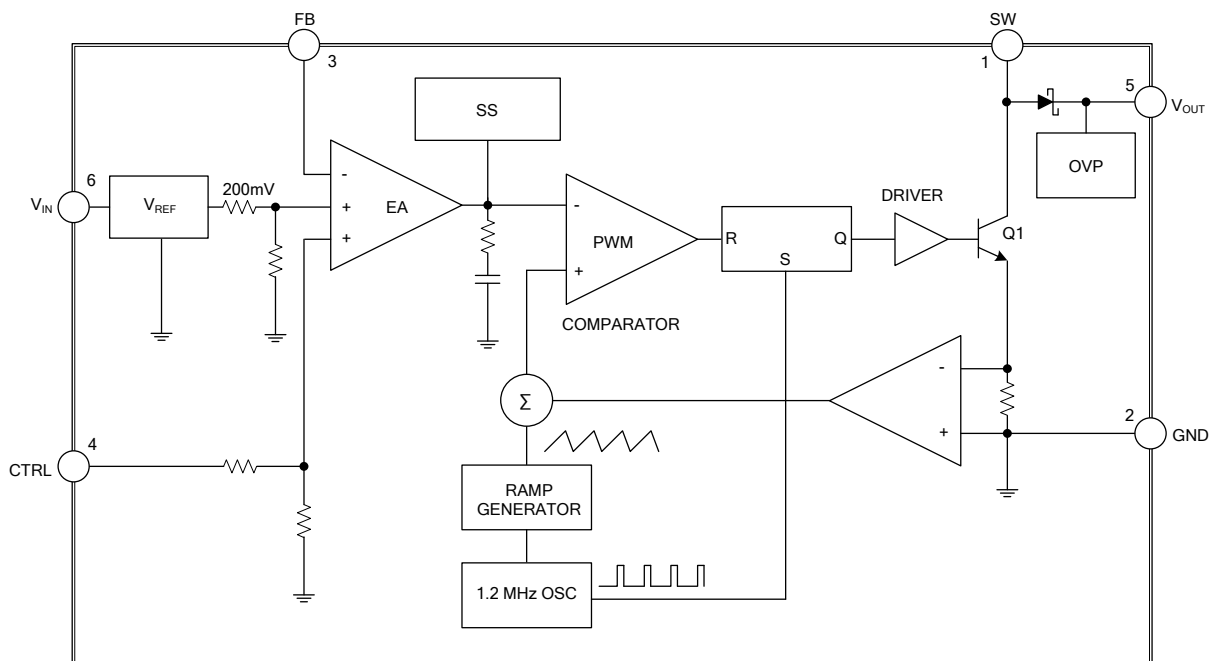
■ PIN CONFIGURATION



■ PIN DESCRIPTION

PIN NO.	PIN NAME	DESCRIPTION
1	SW	Switch Pin.
2	GND	Ground Pin
3	FB	Feedback Voltage.
4	CTRL	Shutdown and Dimming Pin.
5	V <sub>OUT</sub>	Output Pin.
6	V <sub>IN</sub>	Input Supply Pin.

■ BLOCK DIAGRAM



### ■ ABSOLUTE MAXIMUM RATINGS

PARAMETER	SYMBOL	RATINGS	UNIT
Input Voltage	$V_{IN}$	20	V
SW Voltage	$V_{SW}$	38	V
FB Voltage	$V_{FB}$	20	V
CTRL Voltage	$V_{CTRL}$	20	V
Operating Junction Temperature	$T_{OPR}$	+150	°C
Storage Temperature Range	$T_{STG}$	-65 ~ 150	°C

Note: Absolute maximum ratings are those values beyond which the device could be permanently damaged. Absolute maximum ratings are stress ratings only and functional device operation is not implied.

### ■ THERMAL DATA

PARAMETER	SYMBOL	RATINGS	UNIT
Junction to Ambient	$\theta_{JA}$	265	°C/W
Junction to Case	$\theta_{JC}$	60	°C/W

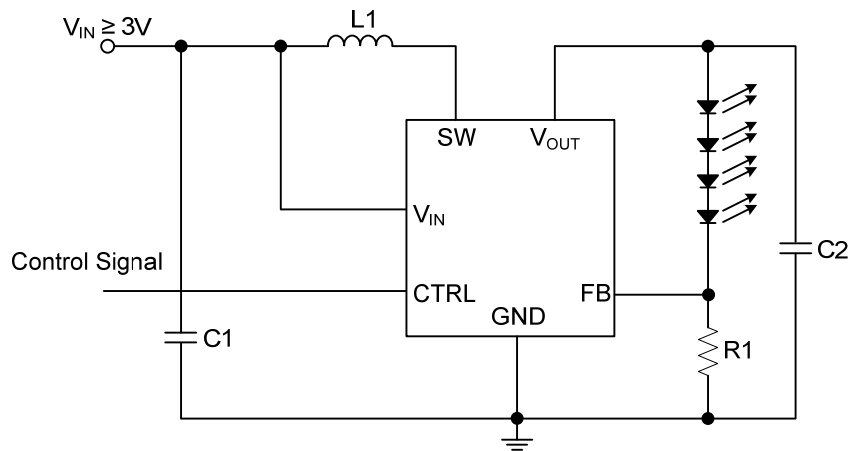
### ■ RECOMMENDED OPERATING CONDITIONS

PARAMETER	SYMBOL	RATINGS	UNIT
Operating Temperature Range	$T_{OPR}$	-40 ~ 85	°C
Input Voltage	$V_{IN}$	2.5 ~ 16	V
CTRL Voltage	$V_{CTRL}$	16	V

### ■ ELECTRICAL CHARACTERISTICS ( $V_{IN}=3V$ , $V_{CTRL}=3V$ , $T_A=25^\circ C$ , unless otherwise specified.)

PARAMETER	SYMBOL	TEST CONDITIONS	MIN	TYP	MAX	UNIT
Minimum Operating Voltage	$V_{IN}$		2.5		16	V
Feedback Voltage	$V_{FB}$	$I_{OUT}=20mA$ , 4 LEDs, $T_A=-40^\circ C \sim 85^\circ C$	188	200	212	mV
FB Pin Bias Current	$I_{FB}$			35	100	nA
Supply Current	$I_{CC}$	$V_{FB}=V_{IN}$ , No Switching		2.5	3.2	mA
Shutdown Quiescent Current	$I_Q$	$V_{CTRL}=0V$	2.0	3.2	5.0	$\mu A$
Switching Frequency	f			1.2		MHz
Maximum Duty Cycle	$D_{MAX}$		90	93		%
Switch Current Limit	$I_{LIMIT}$	$T_A=25^\circ C$ , D=40% $T_A=25^\circ C$ , D=80%		550		mA
Switch VCE Saturation Voltage	$V_{CESAT}$	$I_{SW}=250mA$		360		mV
Switch Leakage Current		$V_{SW}=5V$		0.01	5	$\mu A$
CTRL Pin Voltage	$V_{CTRL}$	High Low	1.8		0.05	V
CTRL Pin Bias Current	$I_{CTRL}$	$T_A=85^\circ C$ $T_A=-40^\circ C$	40	55 50	72	$\mu A$
OVP Voltage	$V_{OV}$			29		V
Schottky Forward Drop	$V_{DROP}$	$I_D=150mA$		0.7		V
Schottky Leakage Current		Reverse Voltage $V_R=23V$ Reverse Voltage $V_R=27V$		0.1	4 150	$\mu A$
Soft Start Time	t			300		$\mu S$

## ■ TYPICAL APPLICATION CIRCUIT



UTC assumes no responsibility for equipment failures that result from using products at values that exceed, even momentarily, rated values (such as maximum ratings, operating condition ranges, or other parameters) listed in products specifications of any and all UTC products described or contained herein. UTC products are not designed for use in life support appliances, devices or systems where malfunction of these products can be reasonably expected to result in personal injury. Reproduction in whole or in part is prohibited without the prior written consent of the copyright owner. The information presented in this document does not form part of any quotation or contract, is believed to be accurate and reliable and may be changed without notice.