



U74AHCT1G66

CMOS IC

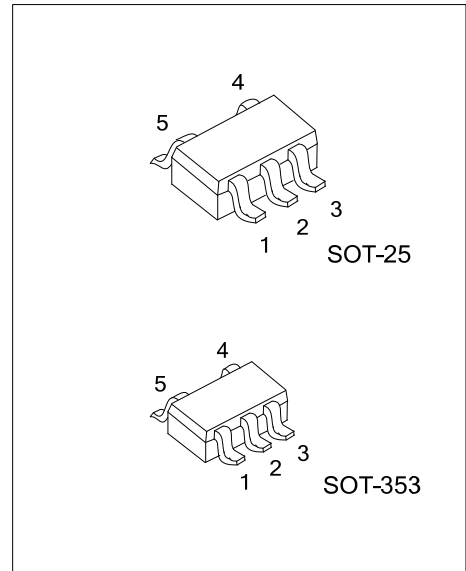
BILATERAL SWITCH

DESCRIPTION

The **U74AHCT1G66** is an analog switch which transmits signals from pin(Y or Z) to pin (Z or Y) with an active HIGH enable input pin (E). When pin E is LOW, the switch is turned off.

FEATURES

- * Operation voltage range: 4.5~5.5V
- * Low power dissipation
- * Very low ON-resistance: 26Ω (typ.) at V_{CC}=3.0V
16Ω (typ.) at V_{CC}=4.5V
14Ω (typ.) at V_{CC}=5.5V
- * TTL-Voltage Compatible

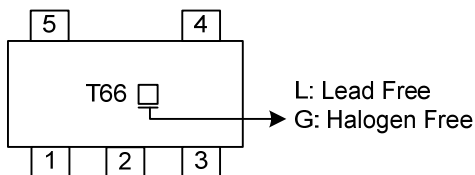


ORDERING INFORMATION

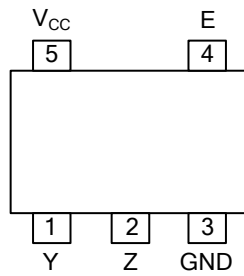
Ordering Number		Package	Packing
Lead Free	Halogen Free		
U74AHCT1G66L-AF5-R	U74AHCT1G66G-AF5-R	SOT-25	Tape Reel
U74AHCT1G66L-AL5-R	U74AHCT1G66G-AL5-R	SOT-353	Tape Reel

<p>U74AHCT1G66G-AF5-R</p> <p>(1)Packing Type (2)Package Type (3)Green Package</p>	<p>(1) R: Tape Reel (2) AF5: SOT-25, AL5: SOT-353 (3) G: Halogen Free and Lead Free, L: Lead Free</p>
---	---

MARKING



■ PIN CONFIGURATION



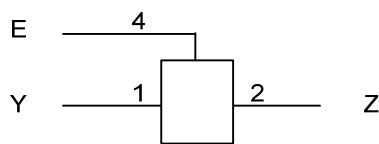
■ PIN DESCRIPTION

PIN NO.	SYMBOL	DESCRIPTION
1	Y	independent input/output
2	Z	independent output/input
3	GND	ground
4	E	enable input
5	V _{CC}	supply voltage

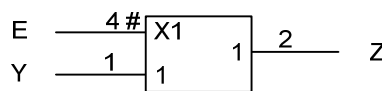
■ FUNCTION TABLE (each gate)

INPUT E	SWITCH
H	ON
L	OFF

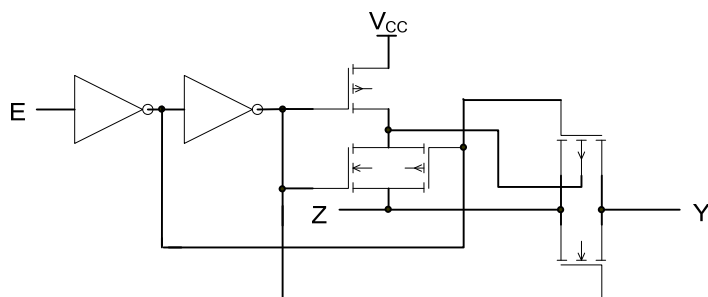
■ LOGIC DIAGRAM (positive logic)



Logic symbol



IEC logic symbol



■ ABSOLUTE MAXIMUM RATINGS (unless otherwise specified)(Note 1)

PARAMETER	SYMBOL	RATINGS	UNIT
Supply Voltage	V_{CC}	-0.5~7	V
Enable Input Voltage	V_E	-0.5~7	V
Enable Input Clamp Current	I_{EK}	-20	mA
Switch Diode Current	I_{SK}	± 20	mA
On-State Switch current (-0.5V< V_{OS} < $V_{CC}+0.5V$)	I_S	± 25	mA
V_{CC} or GND Current	I_{CC}	± 75	mA
Power Dissipation	P_D	250	mW
Storage Temperature	T_{STG}	-65 ~ +150	°C

- Notes: 1. The input and output voltage ratings may be exceeded if the input and output current ratings are observed.
 2. Absolute maximum ratings are those values beyond which the device could be permanently damaged. Absolute maximum ratings are stress ratings only and functional device operation is not implied.
 3. To avoid drawing V_{CC} current out of pin Z, when switch current flows into pin Y, the voltage drop across the bidirectional switch must not exceed 0.4V. If the switch current flows into pin Z, no V_{CC} current will flow out of pin Y. In this case there is no limit for the voltage drop across the switch, but the voltage at pins Y and Z may not exceed V_{CC} or GND.

■ RECOMMENDED OPERATING CONDITIONS

PARAMETER	SYMBOL	TEST CONDITIONS	MIN	TYP	MAX	UNIT
Supply Voltage	V_{CC}		4.5	5.0	5.5	V
Enable input Voltage	V_E		0		5.5	V
Switch Voltage	V_S		0		V_{CC}	V
Input Transition Rise or Fall Rate	t_R, t_F	$V_{CC}=3.3+0.3V$				ns/V
		$V_{CC}=5.0+0.5V$			20	
Operating Temperature	T_A		-40	25	125	°C

■ STATIC CHARACTERISTICS

PARAMETER	SYMBOL	TEST CONDITIONS	MIN	TYP	MAX	UNIT
Input Voltage	High-Level	V_{IH}	$V_{CC}=4.5V\sim 5.5V$	2.0		V
	Low-Level	V_{IL}	$V_{CC}=4.5V\sim 5.5V$		0.8	V
Enable Input Leakage Current	$I_{E(LEAK)}$	$V_{CC}=5.5V, V_E = V_{CC}$ or GND			0.1	μA
Switch Current	OFF-State	I_S	$V_{CC}=5.5V, V_S =V_{CC} - GND$		0.1	μA
	ON-State			$V_{CC}=5.5V$		0.1
ON-Resistance(Peak)	$R_{ON(PEAK)}$	$V_{CC}=4.5V\sim 5.5V, V_{IS} = V_{CC}$ to GND, $I_S=10mA$		15	30	Ω
ON-Resistance(Rail)	$R_{ON(RAIL)}$	$V_{CC}=4.5V\sim 5.5V, V_{IS}= V_{CC}, I_S=10mA$		13	22	Ω
		$V_{CC}=4.5V\sim 5.5V, V_{IS}= GND, I_S=10mA$		15	22	Ω
Quiescent Supply Current	I_Q	$V_{CC}=5.5V, V_E = V_{CC}$ or GND, $V_{IS}= GND$ or $V_{CC}, V_{OS}=V_{CC}$ or GND			1.0	μA
Additional Quiescent Supply Current	ΔI_Q	$V_{CC}=5.5V, V_E = 3.4V$, Other inputs at V_{CC} or GND, $I_{OUT}=0$			1.35	mA
Enable Input Capacitance	C_E	$V_E=V_{CC}$ or GND		2	10	pF
Maximum Switch Capacitance	C_S	Independent I/O		4	10	pF

■ DYNAMIC CHARACTERISTICS (T_A=25°C, unless otherwise specified)

(Input: t_R, t_F≤3ns; PRR≤1MHz, All typical values are measured at V_{CC}=5V.)

PARAMETER	SYMBOL	TEST CONDITIONS	MIN	TYP	MAX	UNIT
Propagation Delay From Y/Z TO Z/Y	t _{PHL} /t _{PLH}	V _{CC} =4.5V~5.5V, C _L =50pF		0.7	1	ns
Turn-On Time From E TO Z/Y	t _{PZH} /t _{PZL}	V _{CC} =4.5V~5.5V, C _L =15pF		3	7	ns
		V _{CC} =4.5V~5.5V, C _L =50pF		4.7	10	ns
Turn-Off Time From E TO Z/Y	t _{PHZ} /t _{PLZ}	V _{CC} =4.5V~5.5V, C _L =15pF		5	8	ns
		V _{CC} =4.5V~5.5V, C _L =50pF		6.5	11	ns

■ RECOMMENDED CONDITIONS AND TYPICAL VALUES (GND=0; t_R=t_F=3ns)

PARAMETER	SYMBOL	TEST CONDITIONS	MIN	TYP	MAX	UNIT
Sine-Wave Distortion at f=1kHz		R _L =10kΩ, C _L =50pF	V _{CC} =3.0V~3.6V, V _{IS(P-P)} =2.5V		0.025	V
			V _{CC} =4.5V~5.5V, V _{IS(P-P)} =4.0V		0.015	
Sine-Wave Distortion at f=10kHz		R _L =10kΩ, C _L =50pF	V _{CC} =3.0V~3.6V, V _{IS(P-P)} =2.5V		0.025	V
			V _{CC} =4.5V~5.5V, V _{IS(P-P)} =4.0V		0.015	
Switch OFF Signal Feed-Through (Note 4)		R _L =600Ω, C _L =50pF	V _{CC} =3.0V~3.6V, F=1MHz		-50	V
			V _{CC} =4.5V~5.5V, F=1MHz		-50	
Minimum Frequency Response(-3dB) (Note 5)	f _{MAX}	R _L =50Ω, C _L =10pF	V _{CC} =3.0V~3.6V		230	ns/V
			V _{CC} =4.5V~5.5V		280	

OPERATING CHARACTERISTICS

Power Dissipation Capacitance	C _{PD}	V _{CC} =5, C _L =50pF, f=10MHz		15		pF
-------------------------------	-----------------	---	--	----	--	----

Notes: 4. Adjust input voltage V_{IS} is 0dbm level (0dbm=1mW into 600Ω)

5. Adjust input voltage V_{IS} is 0dbm level at V_{OS} for 1MHz (0dbm=1mW into 50Ω)

■ TEST CIRCUIT AND WAVEFORMS

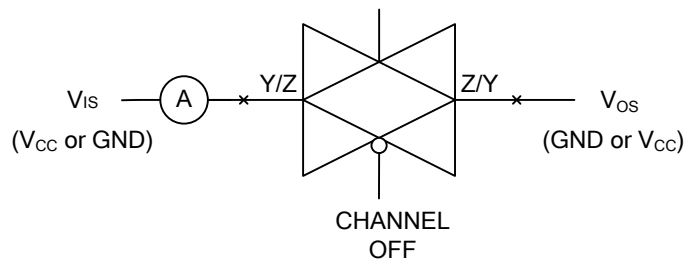


Fig. 1 OFF-State Switch Leakage Current Test Circuit

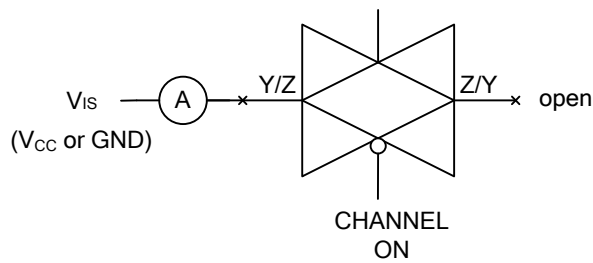


Fig. 2 ON-State Leakage Current Test Circuit

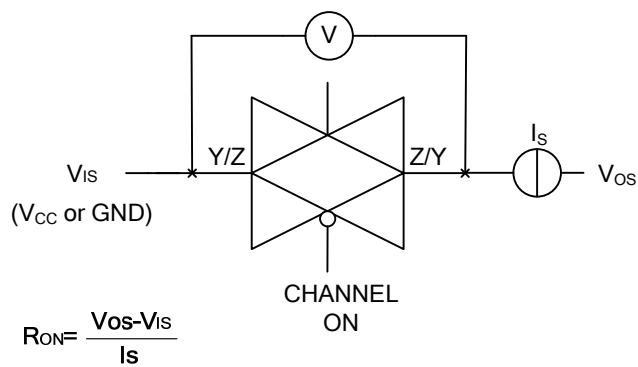


Fig. 3 ON-State Resistance Test Circuit

■ TEST CIRCUIT AND WAVEFORMS(Cont.)

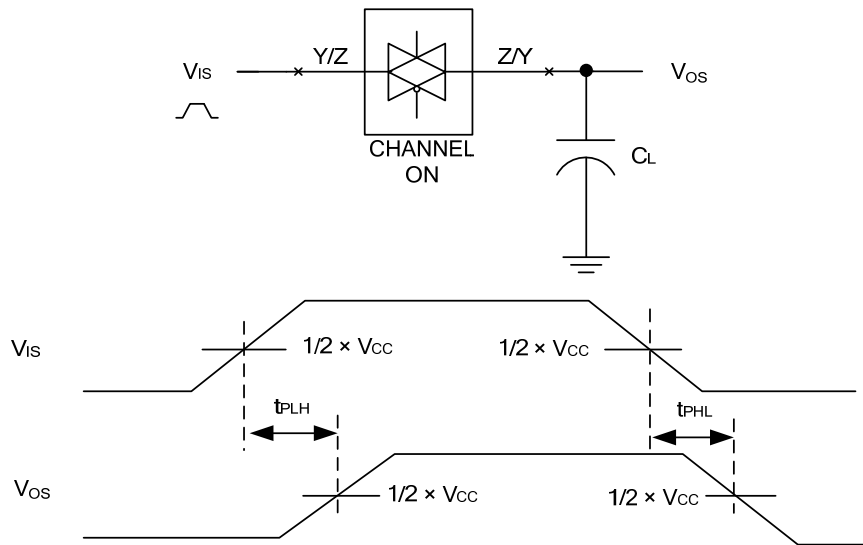


Fig. 4 The input (Y/Z) to output (Z/Y) propagation delays.

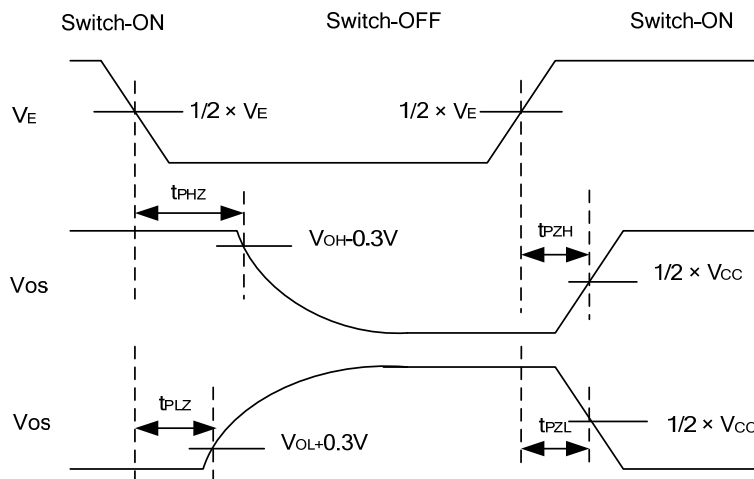
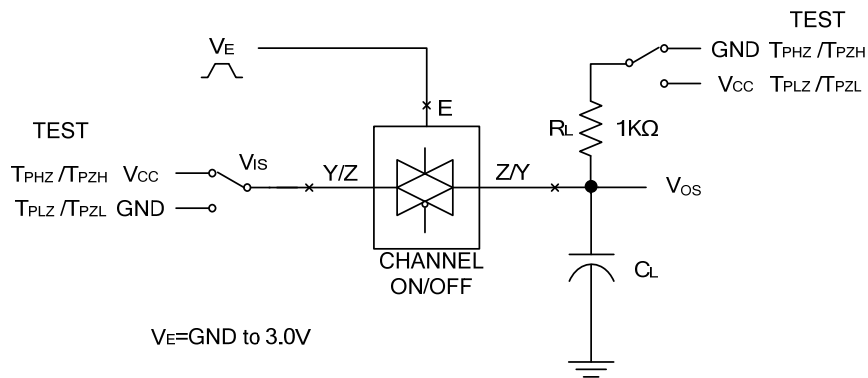


Fig. 5 The switch-on and switch-off times.

■ TEST CIRCUIT AND WAVEFORMS(Cont.)

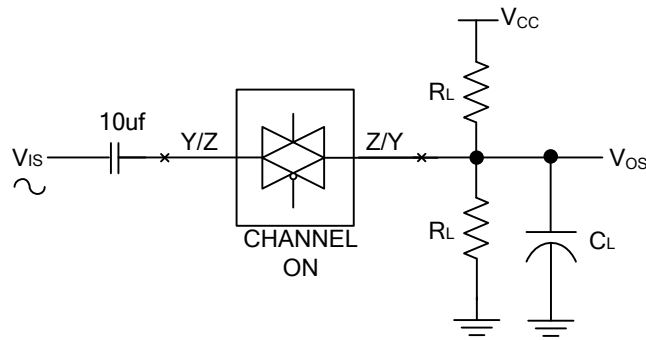


Fig. 6 Sine-Wave Distortion

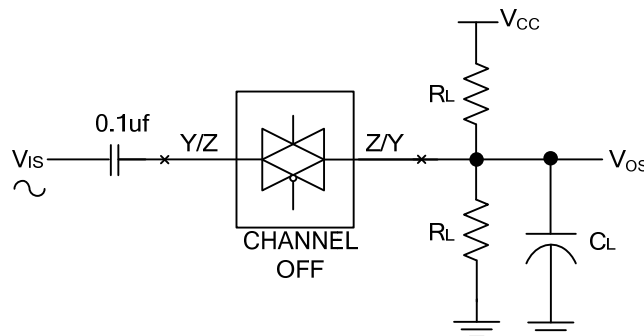


Fig. 7 Feed-through Attenuation (Switch OFF)

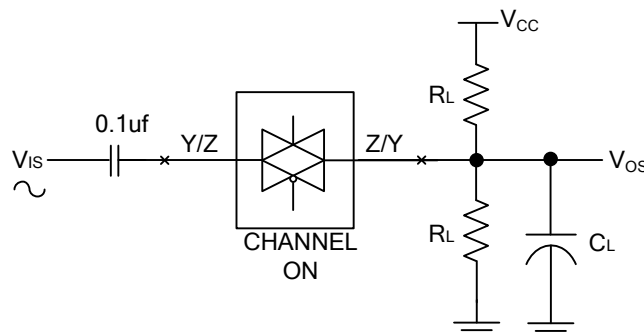


Fig. 8 Minimum Frequency Response

UTC assumes no responsibility for equipment failures that result from using products at values that exceed, even momentarily, rated values (such as maximum ratings, operating condition ranges, or other parameters) listed in products specifications of any and all UTC products described or contained herein. UTC products are not designed for use in life support appliances, devices or systems where malfunction of these products can be reasonably expected to result in personal injury. Reproduction in whole or in part is prohibited without the prior written consent of the copyright owner. UTC reserves the right to make changes to information published in this document, including without limitation specifications and product descriptions, at any time and without notice. This document supersedes and replaces all information supplied prior to the publication hereof.