



友順科技股份有限公司

UNISONIC TECHNOLOGIES CO., LTD.

產品變更通知
PRODUCT CHANGE NOTIFICATION

PCN No.	IC-PPCN-140601	Issue Date	Jun-24-2014
TITLE	TO-126/TO-126C/TO-126S/TO-92NL印字變更 (Marking Rule Change of TO-126/TO-126C/TO-126S/TO-92NL)		Page 1 of 2

變更主旨(TITLE):

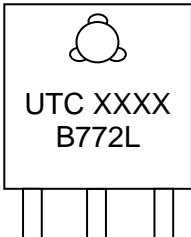
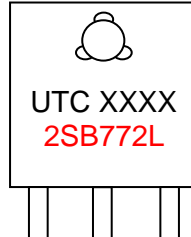
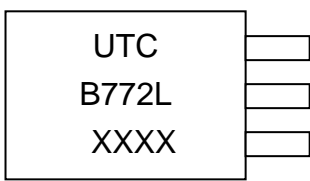
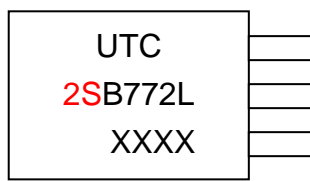
修正 TO-126, TO-126C, TO-126S 及 TO-92NL 封裝別之部份產品印字規則
Print full part number to TO-126, TO-126C, TO-126S and TO-92NL packages.

變更類別(CHANGE TYPE):

Design Process Raw Material Manufacturing Site
 Testing Packing/Shipping/Labeling Other Top Marking Change

變更說明(DESCRIPTION OF CHANGE):

- 為利於客戶辨識及使用，修正部份產品封裝在 TO-126, TO126C, TO-126S 及 TO-92NL 封裝別之印字為全品名打印。如下說明：
The purpose of this Product Change is to notify customers that a marking change for the specified products with full part number in top marking as below.

package	Marking Code	原印字(Current Marking)	變更後(New Marking)
TO-126 TO-126C TO-126S	XXXX : Datecode		
TO-92NL	XXXX : Datecode		

品質驗證(VERIFICATION/QUALIFICATION):

不影響原有品質及規格。
No change to electrical specification, quality or reliability in the final product.

生效日期(COMPLETE DATE):

- 2014-09-24
- 若 貴公司未於收到本通知書起30日內，另以書面提出要求，本公司將視同 貴公司已同意本項變更。
UTC will consider this change approved unless specific requests are addressed in writing within 30 days of receipt of this PCN.



友順科技股份有限公司

UNISONIC TECHNOLOGIES CO., LTD.

產品變更通知

PRODUCT CHANGE NOTIFICATION

PCN No.	IC-PPCN-140601	Issue Date	Jun-24-2014
TITLE	TO-126/TO-126C/TO-126S/TO-92NL印字變更 (Marking Rule Change of TO-126/TO-126C/TO-126S/TO-92NL)		Page 2 of 2

影響範圍(APPLICABLE PRODUCTS):

Part number	TO-126	TO-126C	TO-126S	TO-92NL
2SB772	V	V		V
2SB776	V			
2SB834	V			
2SB857		V		
2SD882	V	V		V
2SD669/A	V	V	V	
2SB649/A	V	V		
2SD1060	V			
2SC2328A				V

友順對此變更所引起之不便表達致歉，如果對本變更有任何問題，請與我們的業務代表或經銷商聯絡

We apologize for any inconvenience causing from this change, If you have any questions concerning this change, please contact your local sales or UTC's sales representative.

