



# 6N60K-TA

Preliminary

Power MOSFET

## 6.2A, 600V N-CHANNEL POWER MOSFET

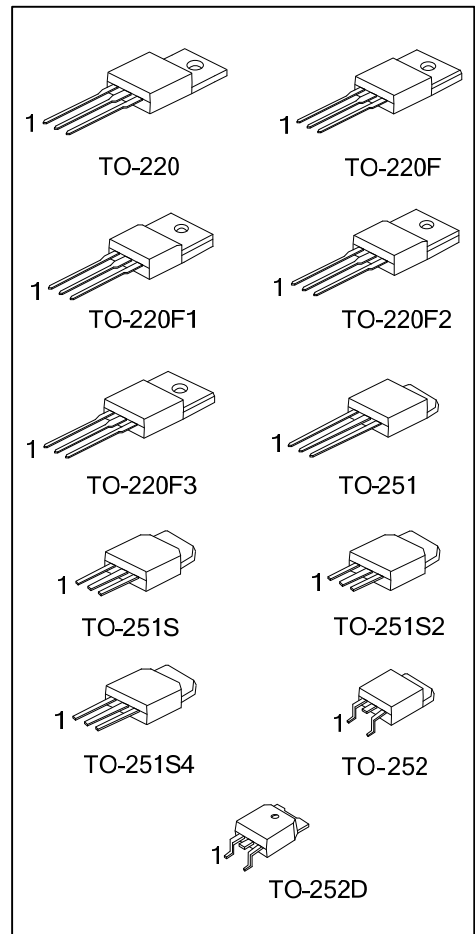
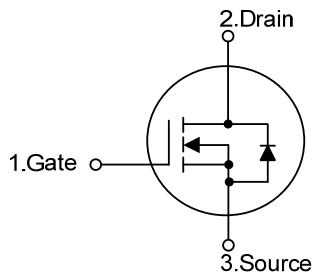
### DESCRIPTION

The UTC **6N60K-TA** is a high voltage power MOSFET and is designed to have better characteristics, such as fast switching time, low gate charge, low on-state resistance and have a high rugged avalanche characteristics. This power MOSFET is usually used at high speed switching applications in switching power supplies and adaptors.

### FEATURES

- \*  $R_{DS(ON)} < 1.4\Omega$  @  $V_{GS} = 10V, I_D = 3.1A$
- \* Fast switching capability
- \* Avalanche energy tested
- \* Improved  $dv/dt$  capability, high ruggedness

### SYMBOL



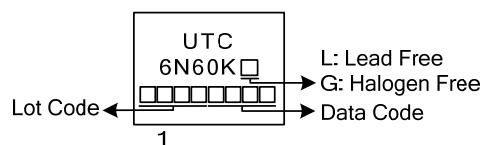
### ORDERING INFORMATION

Ordering Number		Package	Pin Assignment			Packing
Lead Free	Halogen Free		1	2	3	
6N60KL-TA3-T	6N60KG-TA3-T	TO-220	G	D	S	Tube
6N60KL-TF3-T	6N60KG-TF3-T	TO-220F	G	D	S	Tube
6N60KL-TF1-T	6N60KG-TF1-T	TO-220F1	G	D	S	Tube
6N60KL-TF2-T	6N60KG-TF2-T	TO-220F2	G	D	S	Tube
6N60KL-TF3-T	6N60KG-TF3-T	TO-220F3	G	D	S	Tube
6N60KL-TM3-T	6N60KG-TM3-T	TO-251	G	D	S	Tube
6N60KL-TMS-T	6N60KG-TMS-T	TO-251S	G	D	S	Tube
6N60KL-TMS2-T	6N60KG-TMS2-T	TO-251S2	G	D	S	Tube
6N60KL-TMS4-T	6N60KG-TMS4-T	TO-251S4	G	D	S	Tube
6N60KL-TN3-R	6N60KG-TN3-R	TO-252	G	D	S	Tape Reel
6N60KL-TND-R	6N60KG-TND-R	TO-252D	G	D	S	Tape Reel

Note: Pin Assignment: G: Gate D: Drain S: Source

<p>6N60KL-TA3-T</p> <p>(1) Packing Type</p> <p>(2) Package Type</p> <p>(3) Green Package</p>	<p>(1) T: Tube, R: Tape Reel</p> <p>(2) TA3: TO-220, TF3: TO-220F, TF1: TO-220F1, TF2: TO-220F2, TF3: TO-220F3, TM3: TO-251 TMS: TO-251S, TMS2: TO-251S2, TMS4: TO-251S4, TN3: TO-252, TND: TO-252D</p> <p>(3) L: Lead Free, G: Halogen Free and Lead Free</p>
--	--

### MARKING



■ ABSOLUTE MAXIMUM RATINGS ( $T_C = 25^\circ\text{C}$ , unless otherwise specified)

PARAMETER		SYMBOL	RATINGS	UNIT
Drain-Source Voltage		$V_{DSS}$	600	V
Gate-Source Voltage		$V_{GSS}$	$\pm 30$	V
Avalanche Current (Note 2)		$I_{AR}$	6.2	A
Continuous Drain Current		$I_D$	6.2	A
Pulsed Drain Current (Note 2)		$I_{DM}$	24.8	A
Avalanche Energy	Single Pulsed (Note 3)	$E_{AS}$	260	mJ
	Repetitive (Note 2)	$E_{AR}$	13	mJ
Peak Diode Recovery dv/dt (Note 4)		dv/dt	4.5	ns
Power Dissipation	TO-220	$P_D$	125	W
	TO-220F/TO-220F1 TO-220F3		40	W
	TO-220F2		42	W
	TO-251/TO-251S TO-251S2/TO-251S4 TO-252/TO-252D		55	W
Junction Temperature		$T_J$	+150	$^\circ\text{C}$
Operating Temperature		$T_{OPR}$	-55 ~ +150	$^\circ\text{C}$
Storage Temperature		$T_{STG}$	-55 ~ +150	$^\circ\text{C}$

Notes: 1. Absolute maximum ratings are those values beyond which the device could be permanently damaged.

Absolute maximum ratings are stress ratings only and functional device operation is not implied.

2. Repetitive Rating : Pulse width limited by  $T_J$

3.  $L = 14.4\text{mH}$ ,  $I_{AS} = 6\text{A}$ ,  $V_{DD} = 90\text{V}$ ,  $R_G = 25\ \Omega$ , Starting  $T_J = 25^\circ\text{C}$

4.  $I_{SD} \leq 6.2\text{A}$ ,  $di/dt \leq 200\text{A}/\mu\text{s}$ ,  $V_{DD} \leq BV_{DSS}$ , Starting  $T_J = 25^\circ\text{C}$

■ THERMAL DATA

PARAMETER		SYMBOL	RATINGS	UNIT
Junction to Ambient	TO-220/TO-220F TO-220F1/TO-220F2 TO-220F3	$\theta_{JA}$	62.5	$^\circ\text{C}/\text{W}$
	TO-251/TO-251S TO-251S2/TO-251S4 TO-252/TO-252D		110	$^\circ\text{C}/\text{W}$
Junction to Case	TO-220	$\theta_{JC}$	1.0	$^\circ\text{C}/\text{W}$
	TO-220F/TO-220F1 TO-220F3		3.2	$^\circ\text{C}/\text{W}$
	TO-220F2		2.97	$^\circ\text{C}/\text{W}$
	TO-251/TO-251S TO-251S2/TO-251S4 TO-252/TO-252D		2.27	$^\circ\text{C}/\text{W}$

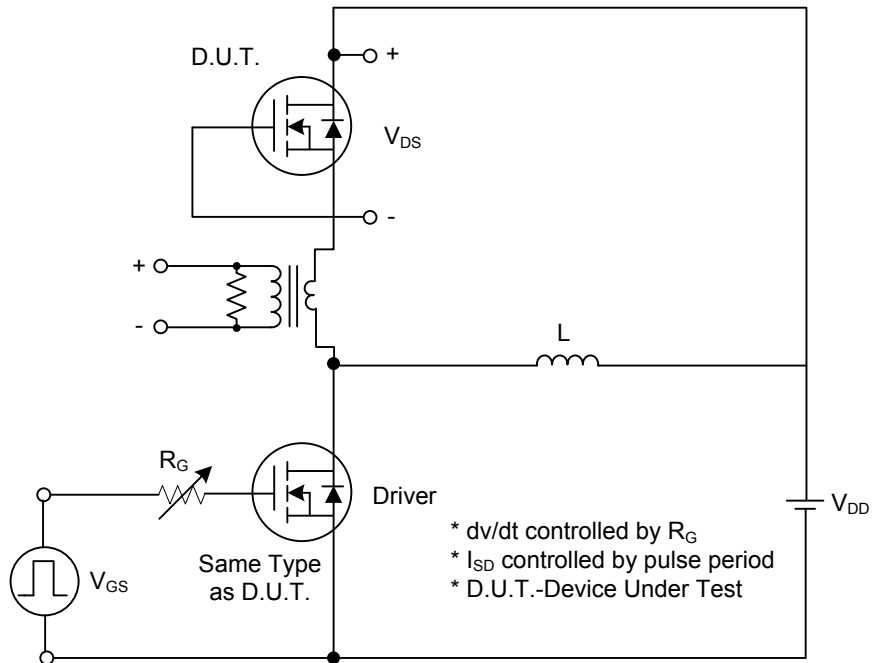
■ ELECTRICAL CHARACTERISTICS (T<sub>J</sub>=25°C, unless otherwise specified)

PARAMETER	SYMBOL	TEST CONDITIONS	MIN	TYP	MAX	UNIT
<b>OFF CHARACTERISTICS</b>						
Drain-Source Breakdown Voltage	BV <sub>DSS</sub>	V <sub>GS</sub> =0V, I <sub>D</sub> =250μA	600			V
Drain-Source Leakage Current	I <sub>DSS</sub>	V <sub>DS</sub> =600V, V <sub>GS</sub> =0V			10	μA
		V <sub>DS</sub> =480V, V <sub>GS</sub> =0V, T <sub>J</sub> =125°C			10	μA
Gate- Source Leakage Current	Forward	I <sub>GSS</sub>				
	Reverse					
		V <sub>G</sub> =30V, V <sub>DS</sub> =0V			100	nA
		V <sub>GS</sub> =-30V, V <sub>DS</sub> =0V			-100	nA
Breakdown Voltage Temperature Coefficient	ΔBV <sub>DSS</sub> /ΔT <sub>J</sub>	I <sub>D</sub> =250μA, Referenced to 25°C		0.53		V/°C
<b>ON CHARACTERISTICS</b>						
Gate Threshold Voltage	V <sub>GS(TH)</sub>	V <sub>DS</sub> =V <sub>GS</sub> , I <sub>D</sub> =250μA	2.5		4.5	V
Static Drain-Source On-State Resistance	R <sub>DS(ON)</sub>	V <sub>GS</sub> =10V, I <sub>D</sub> =3.1A			1.4	Ω
<b>DYNAMIC CHARACTERISTICS</b>						
Input Capacitance	C <sub>ISS</sub>	V <sub>DS</sub> =25V, V <sub>GS</sub> =0V, f=1.0 MHz		690		pF
Output Capacitance	C <sub>OSS</sub>			85		pF
Reverse Transfer Capacitance	C <sub>RSS</sub>			17		pF
<b>SWITCHING CHARACTERISTICS</b>						
Turn-On Delay Time	t <sub>D(ON)</sub>	V <sub>DD</sub> =30V, I <sub>D</sub> =0.5A, R <sub>G</sub> =25Ω (Note 1, 2)		60		ns
Turn-On Rise Time	t <sub>R</sub>			60		ns
Turn-Off Delay Time	t <sub>D(OFF)</sub>			120		ns
Turn-Off Fall Time	t <sub>F</sub>			50		ns
Total Gate Charge	Q <sub>G</sub>	V <sub>DS</sub> =50V, I <sub>D</sub> =1.3A, V <sub>GS</sub> =10V (Note 1, 2)		21	25	nC
Gate-Source Charge	Q <sub>GS</sub>			6		nC
Gate-Drain Charge	Q <sub>GD</sub>			4.5		nC
<b>DRAIN-SOURCE DIODE CHARACTERISTICS AND MAXIMUM RATINGS</b>						
Drain-Source Diode Forward Voltage	V <sub>SD</sub>	V <sub>GS</sub> =0V, I <sub>S</sub> =6.2 A			1.4	V
Maximum Continuous Drain-Source Diode Forward Current	I <sub>S</sub>				6.2	A
Maximum Pulsed Drain-Source Diode Forward Current	I <sub>SM</sub>				24.8	A

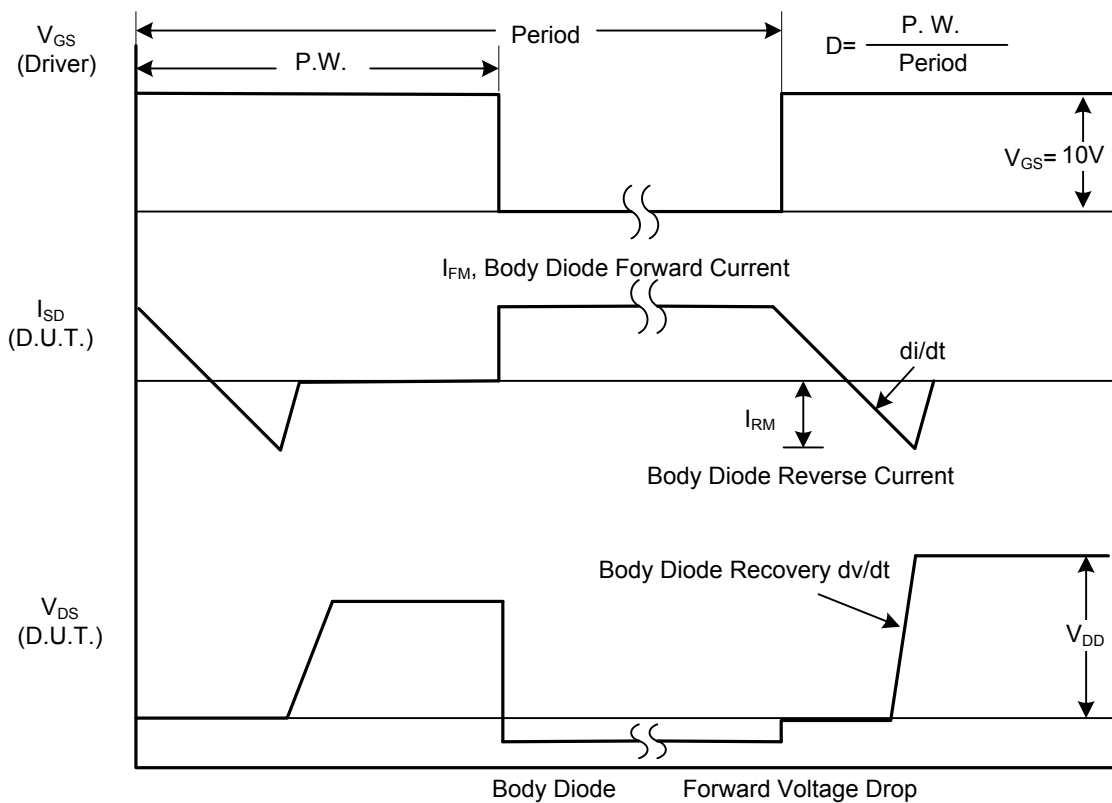
Notes: 1. Pulse Test: Pulse width ≤ 300μs, Duty cycle ≤ 2%.

2. Essentially independent of operating temperature.

■ TEST CIRCUITS AND WAVEFORMS

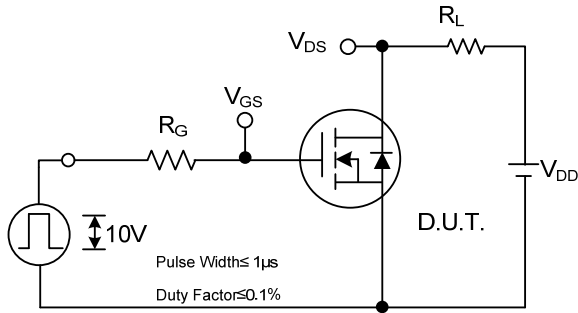


Peak Diode Recovery  $dv/dt$  Test Circuit

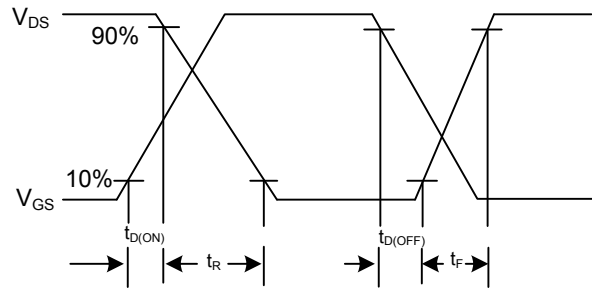


Peak Diode Recovery  $dv/dt$  Waveforms

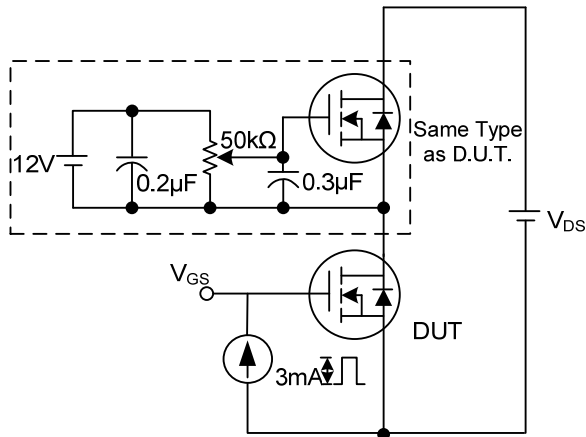
■ TEST CIRCUITS AND WAVEFORMS (Cont.)



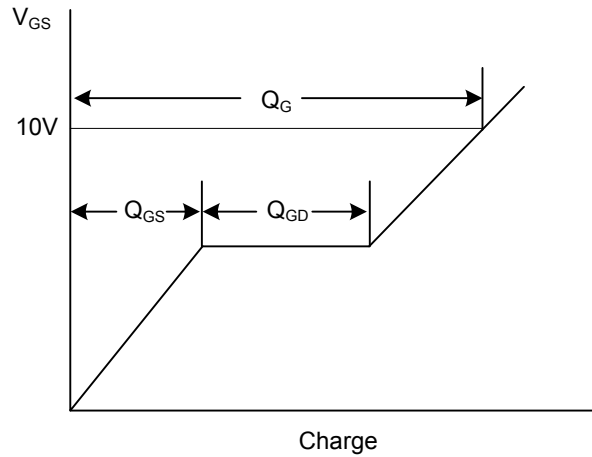
Switching Test Circuit



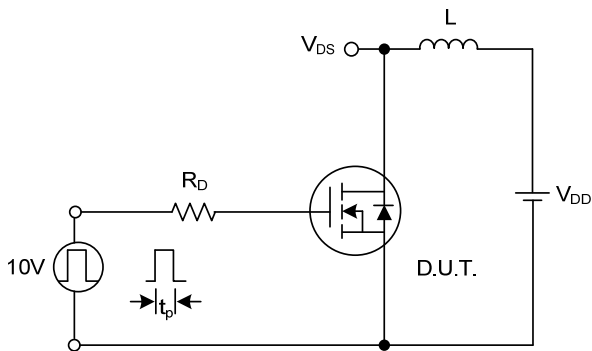
Switching Waveforms



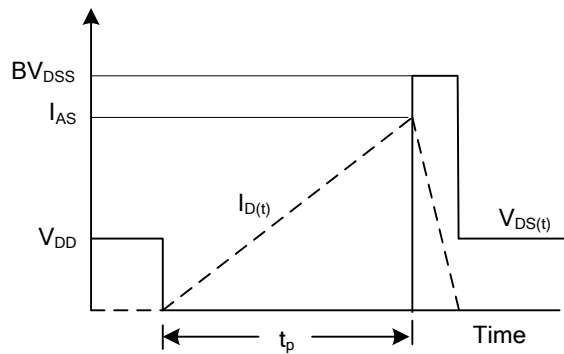
Gate Charge Test Circuit



Gate Charge Waveform



Unclamped Inductive Switching Test Circuit



Unclamped Inductive Switching Waveforms

UTC assumes no responsibility for equipment failures that result from using products at values that exceed, even momentarily, rated values (such as maximum ratings, operating condition ranges, or other parameters) listed in products specifications of any and all UTC products described or contained herein. UTC products are not designed for use in life support appliances, devices or systems where malfunction of these products can be reasonably expected to result in personal injury. Reproduction in whole or in part is prohibited without the prior written consent of the copyright owner. The information presented in this document does not form part of any quotation or contract, is believed to be accurate and reliable and may be changed without notice.