



FCU20UC30C

DIODE

SILICON DIODE

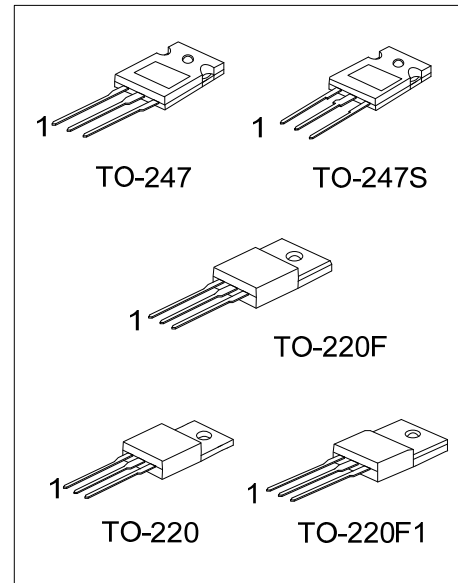
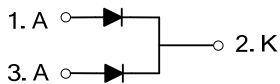
■ DESCRIPTION

The UTC **FCU20UC30C** is a diode, it uses UTC's advanced technology to provide customers with low peak reverse current, etc.

■ FEATURES

* Low peak reverse current

■ SYMBOL



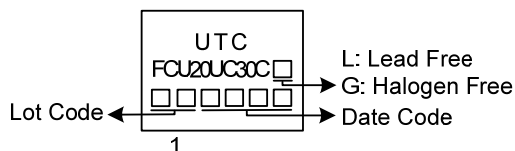
■ ORDERING INFORMATION

Ordering Number		Package	Pin Assignment			Packing
Lead Free	Halogen Free		1	2	3	
FCU20UC30CL-TA3-T	FCU20UC30CG-TA3-T	TO-220	A	K	A	Tube
FCU20UC30CL-TF1-T	FCU20UC30CG-TF1-T	TO-220F1	A	K	A	Tube
FCU20UC30CL-TF3-T	FCU20UC30CG-TF3-T	TO-220F	A	K	A	Tube
FCU20UC30CL-T47-T	FCU20UC30CG-T47-T	TO-247	A	K	A	Tube
FCU20UC30CL-T47S-T	FCU20UC30CG-T47S-T	TO-247S	A	K	A	Tube

Note: Pin Assignment: A: Anode K: Cathode

<p>FCU20UC30CG-TA3-T</p> <p>(1)Packing Type</p> <p>(2)Package Type</p> <p>(3)Green Package</p>	<p>(1) T: Tube</p> <p>(2) TA3: TO-220, TF3: TO-220F, TF1: TO-220F1 T47: TO-247, T47S: TO-247S</p> <p>(3) G: Halogen Free and Lead Free, L: Lead Free</p>
--	--

■ MARKING



■ ABSOLUTE MAXIMUM RATINGS (T_A=25°C, unless otherwise specified)

PARAMETER		SYMBOL	RATINGS	UNIT
Repetitive Peak Reverse Voltage		V _{RRM}	300	V
Average Rectified Forward Current (T _C =104°C)	Per Leg	I _O	10	A
	Total		20	A
R.M.S Forward Current		I _{F(RMS)}	22.2	A
Surge Forward Current		I _{FSM}	120	A
Operating Junction Temperature		T _J	-40 ~ +150	°C
Storage Temperature		T _{STG}	-40 ~ +150	°C
Mounting Torque		F _{TOR}	0.5	N·m

Note: Absolute maximum ratings are those values beyond which the device could be permanently damaged. Absolute maximum ratings are stress ratings only and functional device operation is not implied.

■ THERMAL DATA

PARAMETER		SYMBOL	RATINGS	UNIT
Junction to Case	TO-220 TO-220F TO-220F1	θ _{JC}	2	°C/W
	TO-247 TO-247S		1.5	°C/W

■ ELECTRICAL CHARACTERISTICS (T_A=25°C, unless otherwise specified)

PARAMETER	SYMBOL	TEST CONDITIONS	MIN	TYP	MAX	UNIT
Peak Reverse Current	I _{RM}	T _J =25°C, V _{RM} =V _{RRM}			25	μA
Peak Forward Voltage	V _{FM}	T _J =25°C, I _{FM} =10A		1.10	1.30	V
Reverse Recovery Time	t _{rr}	I _{FM} =10A, -di/dt=50A/μs, T _J =25°C			95	ns

Notes: 1. Short duration pulse test used to minimize self-heating effect.
2. Thermal resistance junction to case mounted on heatsink.

UTC assumes no responsibility for equipment failures that result from using products at values that exceed, even momentarily, rated values (such as maximum ratings, operating condition ranges, or other parameters) listed in products specifications of any and all UTC products described or contained herein. UTC products are not designed for use in life support appliances, devices or systems where malfunction of these products can be reasonably expected to result in personal injury. Reproduction in whole or in part is prohibited without the prior written consent of the copyright owner. UTC reserves the right to make changes to information published in this document, including without limitation specifications and product descriptions, at any time and without notice. This document supersedes and replaces all information supplied prior to the publication hereof.