



### 10A SCHOTTKY BARRIER RECTIFIER

#### DESCRIPTION

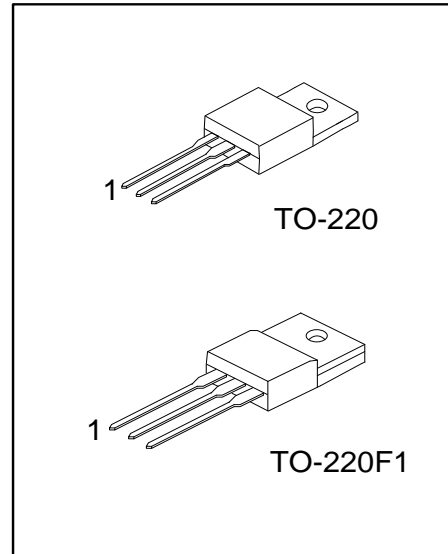
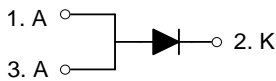
The UTC **SBL1060** is a schottky barrier rectifier, it uses UTC's advanced technology to provide customers with low forward voltage drop and high efficiency, etc.

The UTC **SBL1060** is suitable for use in free wheeling diodes, high frequency switch power supply and polarity protection applications.

#### FEATURES

- \* Low forward voltage drop
- \* Low power loss
- \* High efficiency
- \* High reliability

#### SYMBOL



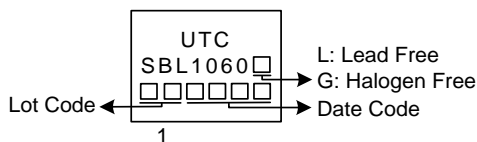
#### ORDERING INFORMATION

Ordering Number		Package	Pin Assignment			Packing
Lead Free	Halogen Free		1	2	3	
SBL1060L-TA3-T	SBL1060G-TA3-T	TO-220	A	K	A	Tube
SBL1060L-TF1-T	SBL1060G-TF1-T	TO-220F1	A	K	A	Tube

Note: Pin Assignment: A: Athode K: Cathode

<p>SBL1060G-TA3-T</p> <p>(1) Packing Type</p> <p>(2) Package Type</p> <p>(3) Green Package</p>	<p>(1) T: Tube</p> <p>(2) TA3: TO-220, TF1: TO-220F1</p> <p>(3) G: Halogen Free and Lead Free, L: Lead Free</p>
--	---

#### MARKING



■ **ABSOLUTE MAXIMUM RATINGS** ( $T_A=25^\circ\text{C}$ , unless otherwise specified)

PARAMETER	SYMBOL	RATINGS	UNIT
DC Blocking Voltage	$V_R$	60	V
Working Peak Reverse Voltage	$V_{RWM}$	60	V
Peak Repetitive Reverse Voltage	$V_{RRM}$	60	V
RMS Reverse Voltage	$V_{R(RMS)}$	42	V
Average Forward Rectified Current	$I_O$	10	A
Peak Forward Surge Current 8.3ms Single Half Sine-Wave Superimposed on Rated Load Per Diode	$I_{FSM}$	250	A
Operating Junction Temperature	$T_J$	-65 ~ +150	$^\circ\text{C}$
Storage Temperature	$T_{STG}$	-65 ~ +150	$^\circ\text{C}$

Note: Absolute maximum ratings are those values beyond which the device could be permanently damaged. Absolute maximum ratings are stress ratings only and functional device operation is not implied.

■ **THERMAL CHARACTERISTICS** ( $T_A=25^\circ\text{C}$ , unless otherwise noted.)

PARAMETER	SYMBOL	RATINGS	UNIT
Junction to Ambient	$\theta_{JA}$	62.5	$^\circ\text{C/W}$
Junction to Case	$\theta_{JC}$	2	$^\circ\text{C/W}$
		4	$^\circ\text{C/W}$

■ **ELECTRICAL CHARACTERISTICS (Note 1)** ( $T_A=25^\circ\text{C}$ , unless otherwise noted.)

PARAMETER	SYMBOL	TEST CONDITIONS	MIN	TYP	MAX	UNIT
Instantaneous Forward Voltage	$V_F$	$I_F=10\text{A}$ , $T_C=25^\circ\text{C}$			0.75	V
Instantaneous Reverse Current at Rated DC Blocking Voltage Per Diode	$I_R$	$T_C=25^\circ\text{C}$			1.0	mA
		$T_C=100^\circ\text{C}$			50	mA
Junction Capacitance (Note 2)	$C_J$			700		pF

Notes: 1. Thermal resistance junction to case mounted on heatsink.  
2. Measured at 1.0MHz and applied reverse voltage of 4.0V DC.

UTC assumes no responsibility for equipment failures that result from using products at values that exceed, even momentarily, rated values (such as maximum ratings, operating condition ranges, or other parameters) listed in products specifications of any and all UTC products described or contained herein. UTC products are not designed for use in life support appliances, devices or systems where malfunction of these products can be reasonably expected to result in personal injury. Reproduction in whole or in part is prohibited without the prior written consent of the copyright owner. UTC reserves the right to make changes to information published in this document, including without limitation specifications and product descriptions, at any time and without notice. This document supersedes and replaces all information supplied prior to the publication hereof.