



MBR2200

Preliminary

DIODE

SCHOTTKY BARRIER RECTIFIER

■ DESCRIPTION

The UTC **MBR2200** is a schottky barrier rectifier, it uses UTC's advanced technology to provide customers with low forward voltage drop, high current capability and high efficiency, etc.

The UTC **MBR2200** is suitable for free wheeling, high frequency inverters, polarity protection application.

■ FEATURES

- * Low forward voltage drop
- * High efficiency
- * High surge capability

■ SYMBOL



■ ORDERING INFORMATION

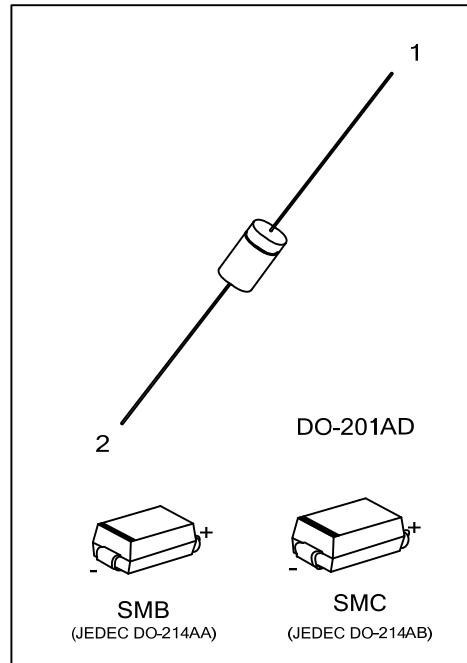
Ordering Number		Package	Pin Assignment		Packing
Lead Free	Halogen Free		1	2	
MBR2200L-SMB-R	MBR2200G-SMB-R	SMB	K	A	Tape Reel
MBR2200L-SMC-R	MBR2200G-SMC-R	SMC	K	A	Tape Reel
MBR2200L-Z21D-B	MBR2200G-Z21D-B	DO-201AD	K	A	Tape Box

Note: Pin Assignment: A: Anode K: Cathode

<p>MBR2200L-SMB-R</p>	<p>(1) R: Tape Reel (2) SMB: SMB, SMC: SMC, Z21D: DO-201AD (3) L: Lead Free, G: Halogen Free and Lead Free</p>
-----------------------	--

■ MARKING

DO-201AD	SMB / SMC



■ ABSOLUTE MAXIMUM RATINGS

Ratings at 25°C ambient temperature unless otherwise specified.
Single phase, half wave, 60Hz, resistive or inductive load.

PARAMETER	SYMBOL	RATINGS	UNIT
DC Blocking Voltage	V_{RM}	200	V
RMS Reverse Voltage	$V_{R(RMS)}$	140	V
Maximum Recurrent Peak Reverse Voltage	V_{RRM}	200	V
Average Rectified Output Current	I_O	2.0	A
Non-Repetitive Peak Forward Surge Current: 8.3ms Single Half Sine-Wave Superimposed on Rated Load	I_{FSM}	50	A
Operating Junction Temperature	T_J	-65~+150	°C
Storage Temperature	T_{STG}	-65~+150	°C

Note: Absolute maximum ratings are those values beyond which the device could be permanently damaged.
Absolute maximum ratings are stress ratings only and functional device operation is not implied.

■ THERMAL DATA

PARAMETER	SYMBOL	RATINGS	UNIT
Junction to Ambient (Note 1)	SMB/SMC	90	°C/W
	DO-201AD	50	°C/W

■ ELECTRICAL CHARACTERISTICS

PARAMETER	SYMBOL	TEST CONDITIONS	MIN	TYP	MAX	UNIT
Forward Voltage Drop (Note 3)	V_F	$I_F=2.0A$ $T_J=25^\circ C$			0.9	V
		$I_F=2.0A$, $T_J=100^\circ C$			0.7	V
Peak Reverse Current at Rated DC Blocking Voltage	I_R	$T_J=25^\circ C$			50	μA
		$T_J=100^\circ C$			20	mA

Notes: 1. Measured at ambient temperature at a distance of 9.5mm from the case
2. Minimum Pad Area
3. Pulse test: 300 μs pulse width, 1% duty cycle

UTC assumes no responsibility for equipment failures that result from using products at values that exceed, even momentarily, rated values (such as maximum ratings, operating condition ranges, or other parameters) listed in products specifications of any and all UTC products described or contained herein. UTC products are not designed for use in life support appliances, devices or systems where malfunction of these products can be reasonably expected to result in personal injury. Reproduction in whole or in part is prohibited without the prior written consent of the copyright owner. The information presented in this document does not form part of any quotation or contract, is believed to be accurate and reliable and may be changed without notice.