



MBR360

DIODE

3.0A, 60V SCHOTTKY BARRIER RECTIFIER

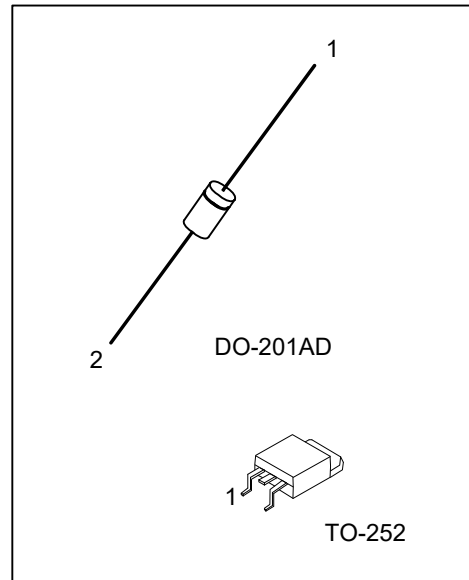
DESCRIPTION

The UTC **MBR360** is a 3.0A schottky barrier rectifier, it uses UTC's advanced technology to provide customers with low forward voltage drop and high efficiency, etc.

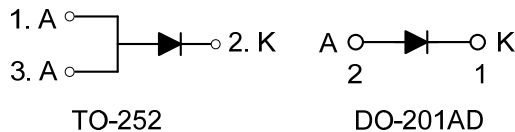
The UTC **MBR360** is suitable for free wheeling diodes, high frequency inverters, low voltage and polarity protection diodes.

FEATURES

- * Low forward voltage drop
- * Low power loss
- * High efficiency



SYMBOL



ORDERING INFORMATION

Ordering Number		Package	Pin Assignment			Packing
Lead Free	Halogen Free		1	2	3	
MBR360L-TN3-R	MBR360G-TN3-R	TO-252	A	K	A	Tape Reel
MBR360L-Z21D-B	MBR360G-Z21D-B	DO-201AD	K	A	-	Tape Box

Note: Pin Assignment: A: Anode K: Cathode

<p>MUR460G-TN3-R</p>	<p>(1) R: Tape Reel, B: Tape Box (2) TN3: TO-252, Z21D: DO-201AD (3) G: Halogen Free and Lead Free, L: Lead Free</p>
----------------------	--

MARKING

DO-201AD	TO-252

■ ABSOLUTE MAXIMUM RATINGS ($T_A=25^\circ\text{C}$, unless otherwise specified)

PARAMETER	SYMBOL	RATINGS	UNIT
DC Blocking Voltage	V_R	60	V
Working Peak Reverse Voltage	V_{RWM}	60	V
Peak Repetitive Reverse Voltage	V_{RRM}	60	V
Average Rectified Output Current $T_A=65^\circ\text{C}$ ($\theta_{JA}=28^\circ\text{C/W}$, P.C. Board Mounting)	I_O	3.0	A
Non-Repetitive Peak Forward Surge Current 8.3ms Single Half Sine-Wave Superimposed on Rated Load (JEDEC Method)	I_{FSM}	80	A
Operating Junction Temperature (Reverse Voltage Applied)	T_J	-65 ~ +150	$^\circ\text{C}$
Storage Temperature (Reverse Voltage Applied)	T_{STG}	-65 ~ +150	$^\circ\text{C}$

Note: Absolute maximum ratings are those values beyond which the device could be permanently damaged.

Absolute maximum ratings are stress ratings only and functional device operation is not implied.

■ THERMAL DATA

PARAMETER	SYMBOL	RATINGS	UNIT
Junction to Ambient	TO-252	80	$^\circ\text{C/W}$
	DO-201AD	50	$^\circ\text{C/W}$

Note: Mounted on a 1 in² pad of 2 oz copper follow by JEDEC standard.

■ ELECTRICAL CHARACTERISTICS ($T_A=25^\circ\text{C}$, unless otherwise specified) (Note 1)

PARAMETER	SYMBOL	TEST CONDITIONS	MIN	TYP	MAX	UNIT
Instantaneous Forward Voltage (Note 2)	V_F	$I_F=1.0\text{A}$			0.600	V
		$I_F=3.0\text{A}$			0.740	V
		$I_F=9.4\text{A}$			1.080	V
Instantaneous Reverse Current @ Rated DC Voltage (Note 2)	I_R	$T_L=25^\circ\text{C}$			0.60	mA
		$T_L=100^\circ\text{C}$			20	mA

Notes: 1. Lead Temperature reference is cathode lead 1/32 in from case.

2. Pulse Test: Pulse Width=300 μs , Duty Cycle=2.0%.

UTC assumes no responsibility for equipment failures that result from using products at values that exceed, even momentarily, rated values (such as maximum ratings, operating condition ranges, or other parameters) listed in products specifications of any and all UTC products described or contained herein. UTC products are not designed for use in life support appliances, devices or systems where malfunction of these products can be reasonably expected to result in personal injury. Reproduction in whole or in part is prohibited without the prior written consent of the copyright owner. UTC reserves the right to make changes to information published in this document, including without limitation specifications and product descriptions, at any time and without notice. This document supersedes and replaces all information supplied prior to the publication hereof.