



12N50K-MT

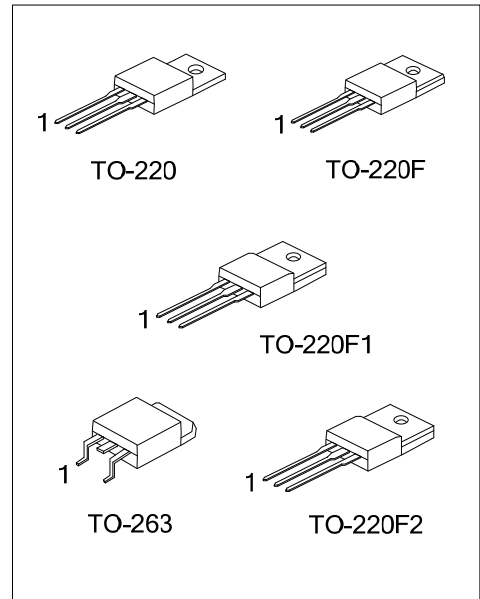
Power MOSFET

12A, 500V N-CHANNEL POWER MOSFET

DESCRIPTION

The UTC **12N50K-MT** is an N-channel mode power MOSFET using UTC's advanced technology to provide customers with planar stripe and DMOS technology. This technology allows a minimum on-state resistance and superior switching performance. It also can withstand high energy pulse in the avalanche and commutation mode.

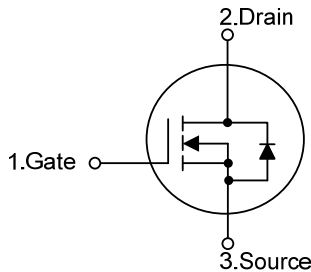
The UTC **12N50K-MT** is generally applied in high efficiency switch mode power supplies, active power factor correction and electronic lamp ballasts based on half bridge topology.



FEATURES

- * $R_{DS(ON)} < 0.52 \Omega @ V_{GS} = 10 V, I_D = 6.0 A$
- * High Switching Speed
- * 100% Avalanche Tested

SYMBOL



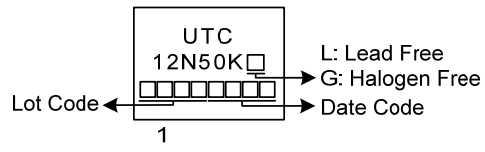
ORDERING INFORMATION

Ordering Number		Package	Pin Assignment			Packing
Lead Free	Halogen Free		1	2	3	
12N50KL-TA3-T	12N50KG-TA3-T	TO-220	G	D	S	Tube
12N50KL-TF1-T	12N50KG-TF1-T	TO-220F1	G	D	S	Tube
12N50KL-TF2-T	12N50KG-TF2-T	TO-220F2	G	D	S	Tube
12N50KL-TF3-T	12N50KG-TF3-T	TO-220F	G	D	S	Tube
12N50KL-TQ2-T	12N50KG-TQ2-T	TO-263	G	D	S	Tube
12N50KL-TQ2-R	12N50KG-TQ2-R	TO-263	G	D	S	Tape Reel

Note: Pin Assignment: G: Gate D: Drain S: Source

<p>12N50KG-TA3-T</p> <p>(1)Packing Type</p> <p>(2)Package Type</p> <p>(3)Green Package</p>	<p>(1) T: Tube, R: Tape Reel</p> <p>(2) TA3: TO-220, TF3: TO-220F, TF1: TO-220F1, TF2: TO-220F2, TQ2: TO-263</p> <p>(3) G: Halogen Free and Lead Free, L: Lead Free</p>
--	---

■ MARKING



■ ABSOLUTE MAXIMUM RATINGS ($T_C=25^\circ\text{C}$, unless otherwise specified)

PARAMETER		SYMBOL	RATINGS	UNIT
Drain-Source Voltage		V_{DSS}	500	V
Gate-Source Voltage		V_{GSS}	± 30	V
Drain Current	Continuous ($T_C=25^\circ\text{C}$)	I_D	12 (Note 2)	A
	Pulsed (Note 3)	I_{DM}	48 (Note 2)	A
Avalanche Current (Note 3)		I_{AR}	12	A
Avalanche Energy	Single Pulsed (Note 4)	E_{AS}	600	mJ
Peak Diode Recovery dv/dt (Note 5)		dv/dt	3.5	V/ns
Power Dissipation	TO-220/TO-263	P_D	200	W
	TO-220F		50	W
	TO-220F1/TO-220F2		54	W
Junction Temperature		T_J	+150	$^\circ\text{C}$
Storage Temperature		T_{STG}	-55 ~ +150	$^\circ\text{C}$

Notes: 1. Absolute maximum ratings are those values beyond which the device could be permanently damaged.

Absolute maximum ratings are stress ratings only and functional device operation is not implied.

2. Drain current limited by maximum junction temperature
3. Repetitive Rating: Pulse width limited by maximum junction temperature
4. $L = 8.33\text{mH}$, $I_{AS} = 12\text{A}$, $V_{DD} = 50\text{V}$, $R_G = 25\Omega$, Starting $T_J = 25^\circ\text{C}$
5. $I_{SD} \leq 12\text{A}$, $di/dt \leq 200\text{A}/\mu\text{s}$, $V_{DD} \leq BV_{DSS}$, Starting $T_J = 25^\circ\text{C}$

■ THERMAL DATA

PARAMETER		SYMBOL	RATINGS	UNIT
Junction to Ambient		θ_{JA}	62.5	$^\circ\text{C}/\text{W}$
Junction to Case	TO-220/TO-263	θ_{JC}	0.625	$^\circ\text{C}/\text{W}$
	TO-220F		2.5	$^\circ\text{C}/\text{W}$
	TO-220F1/TO-220F2		2.31	$^\circ\text{C}/\text{W}$

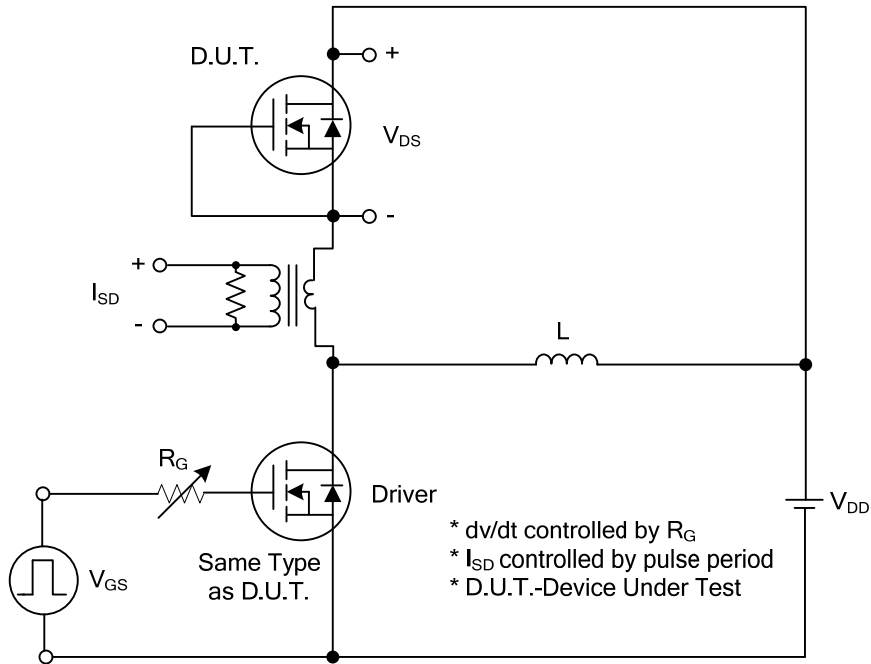
■ ELECTRICAL CHARACTERISTICS (T_C=25°C, unless otherwise specified)

PARAMETER	SYMBOL	TEST CONDITIONS	MIN	TYP	MAX	UNIT
OFF CHARACTERISTICS						
Drain-Source Breakdown Voltage	BV _{DSS}	I _D =250μA, V _{GS} =0V	500			V
Drain-Source Leakage Current	I _{DSS}	V _{DS} =500V, V _{GS} =0V			10	μA
Gate- Source Leakage Current	Forward	I _{GSS} V _{GS} =+30V, V _{DS} =0V			+100	nA
	Reverse		V _{GS} =-30V, V _{DS} =0V			-100
ON CHARACTERISTICS						
Gate Threshold Voltage	V _{GS(TH)}	V _{DS} =V _{GS} , I _D =250μA	2.0		4.0	V
Static Drain-Source On-State Resistance	R _{DS(ON)}	V _{GS} =10V, I _D =6.0A		0.39	0.52	Ω
DYNAMIC PARAMETERS						
Input Capacitance	C _{ISS}	V _{GS} =0V, V _{DS} =25V, f=1.0MHz		1900		pF
Output Capacitance	C _{OSS}			200		pF
Reverse Transfer Capacitance	C _{RSS}			9.3		pF
SWITCHING PARAMETERS						
Total Gate Charge	Q _G	V _{GS} =10V, V _{DS} =300V, I _D =12A I _G =1mA (Note 1, 2)		38		nC
Gate to Source Charge	Q _{GS}			13		nC
Gate to Drain Charge	Q _{GD}			7		nC
Turn-ON Delay Time	t _{D(ON)}	V _{DD} =30V, I _D =0.5A, R _G =25Ω (Note 1, 2)		75		ns
Rise Time	t _R			125		ns
Turn-OFF Delay Time	t _{D(OFF)}			190		ns
Fall-Time	t _F			125		ns
SOURCE- DRAIN DIODE RATINGS AND CHARACTERISTICS						
Maximum Body-Diode Continuous Current	I _S				12	A
Maximum Body-Diode Pulsed Current	I _{SM}				48	A
Drain-Source Diode Forward Voltage	V _{SD}	I _S =12A, V _{GS} =0V			1.5	V
Reverse Recovery Time	t _{rr}	I _S =12A, V _{GS} =0V		400		ns
Reverse Recovery Charge	Q _{rr}	di/dt=100A/μs (Note 1)		4.3		μC

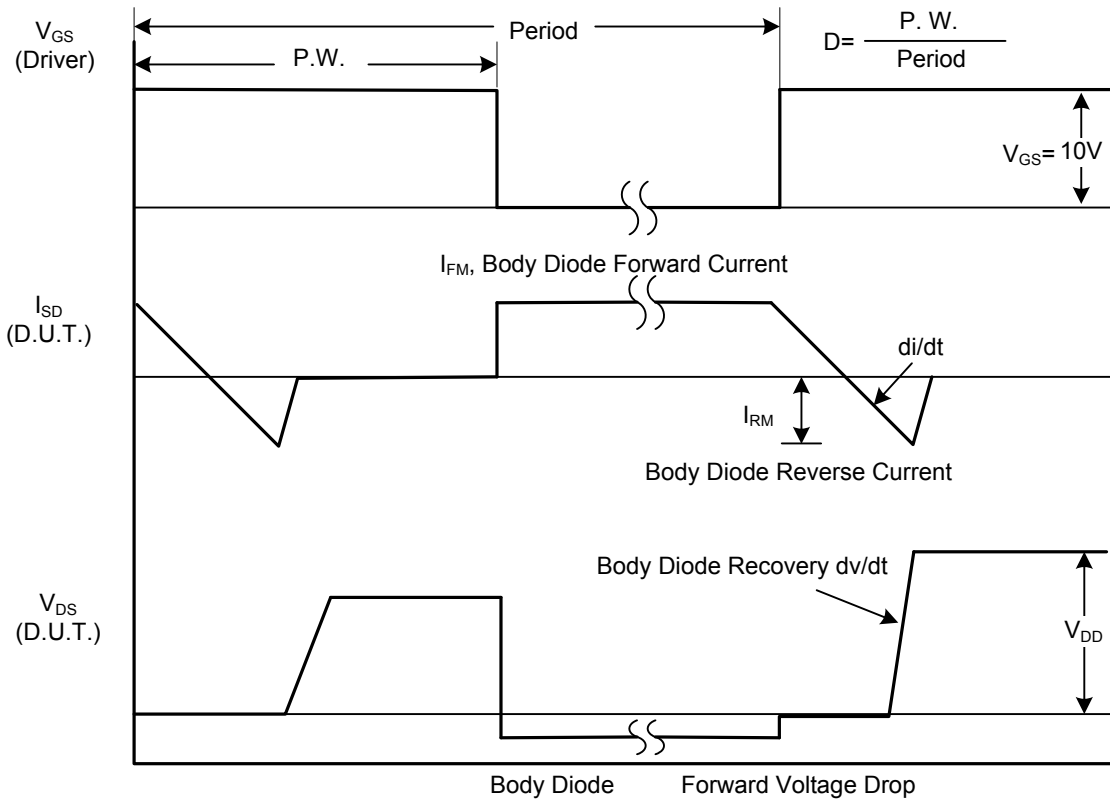
Notes: 1. Pulse Test: Pulse width ≤ 300μs, Duty cycle ≤ 2%.

2. Essentially independent of operating temperature.

■ TEST CIRCUITS AND WAVEFORMS

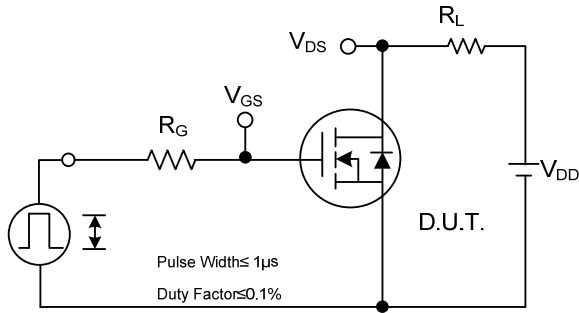


Peak Diode Recovery dv/dt Test Circuit

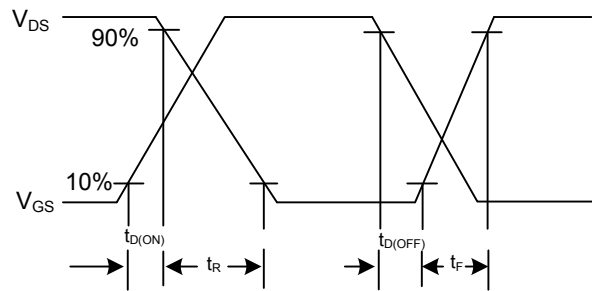


Peak Diode Recovery dv/dt Waveforms

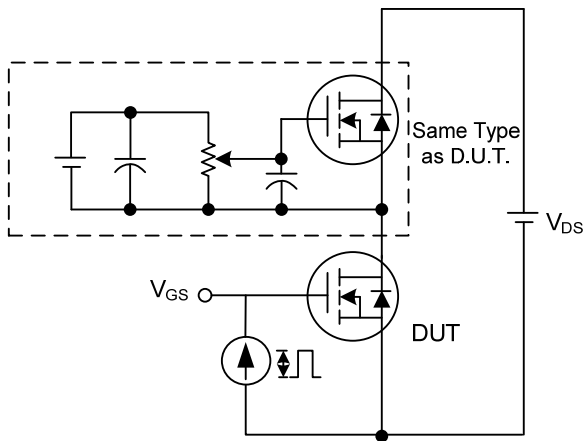
TEST CIRCUITS AND WAVEFORMS



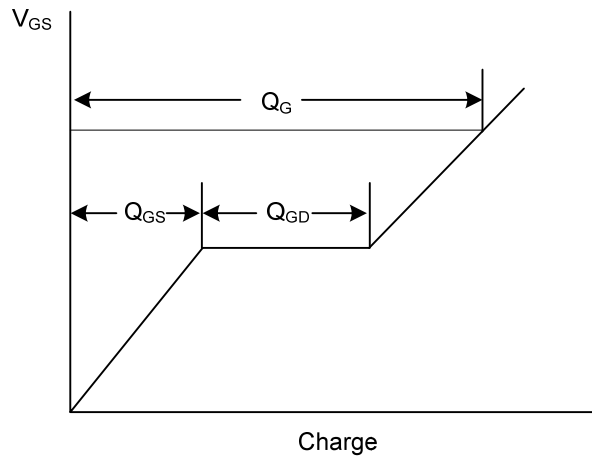
Switching Test Circuit



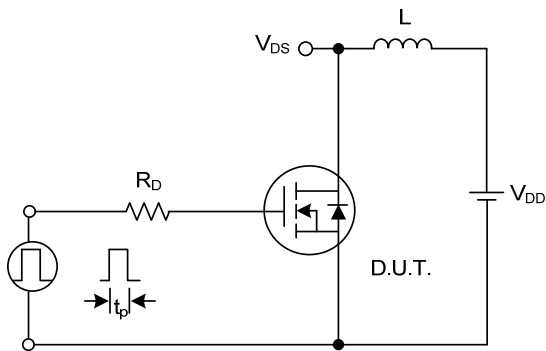
Switching Waveforms



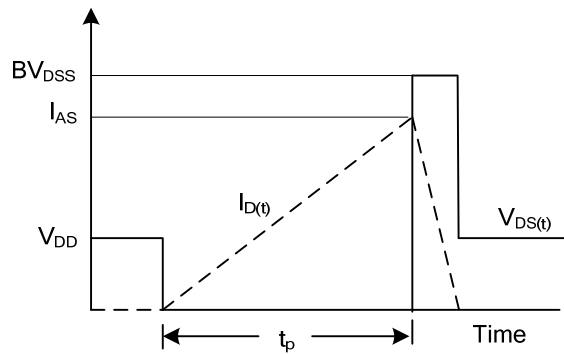
Gate Charge Test Circuit



Gate Charge Waveform

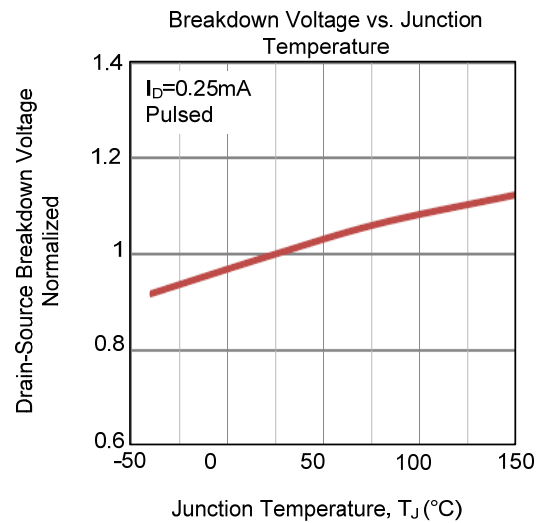
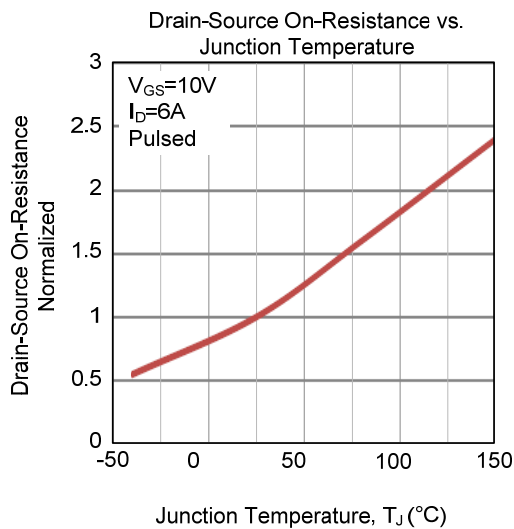
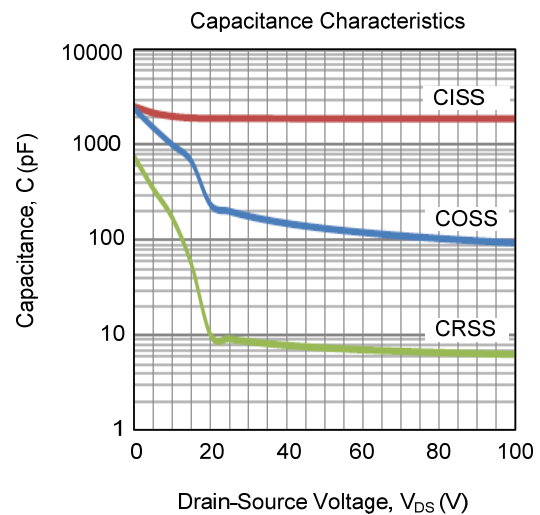
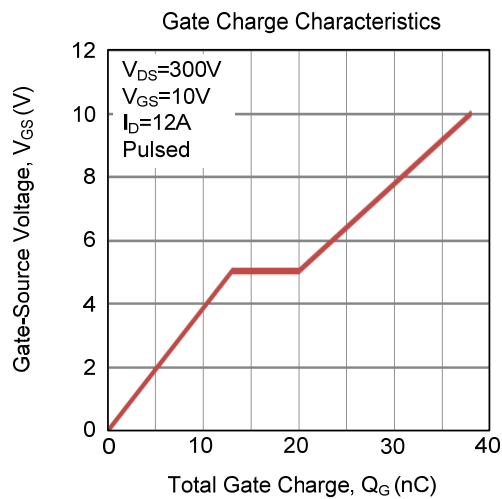
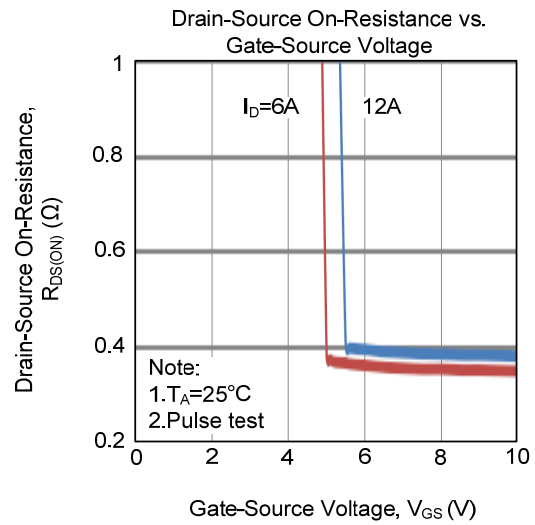
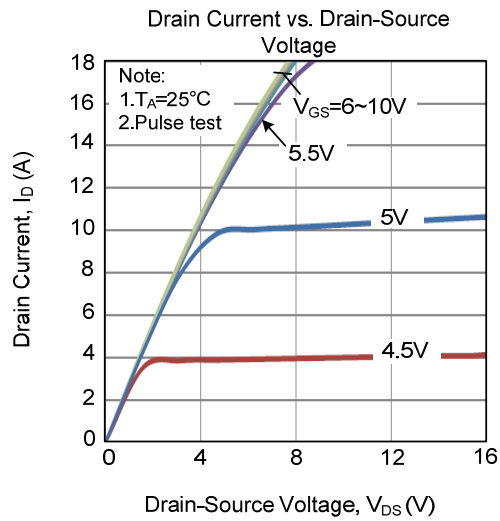


Unclamped Inductive Switching Test Circuit

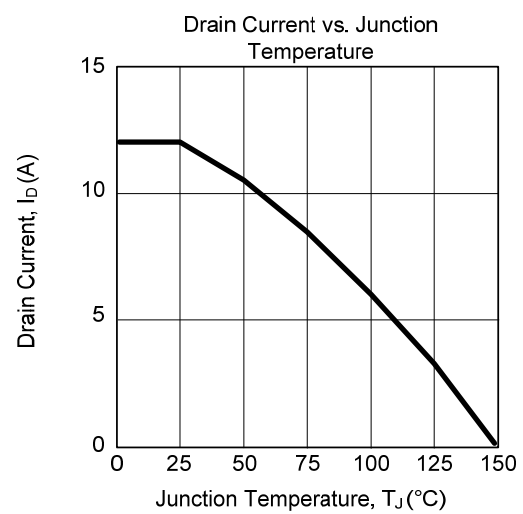
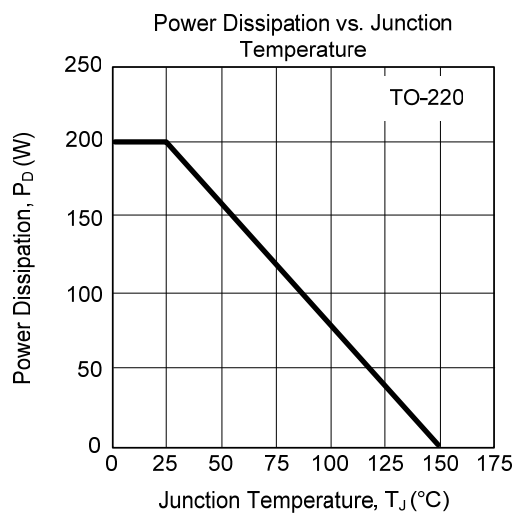
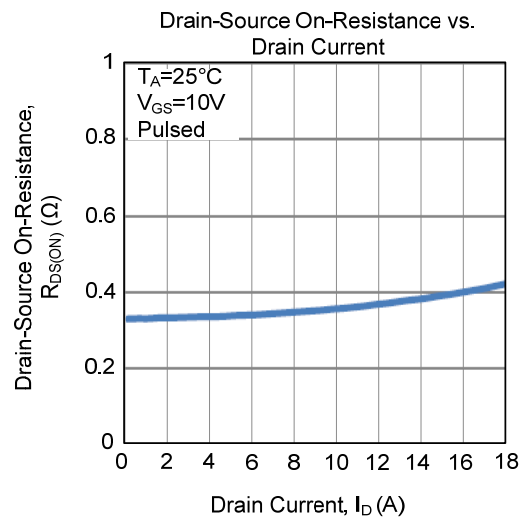
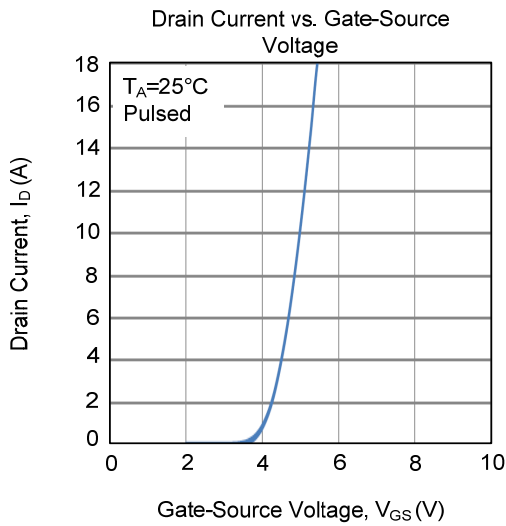
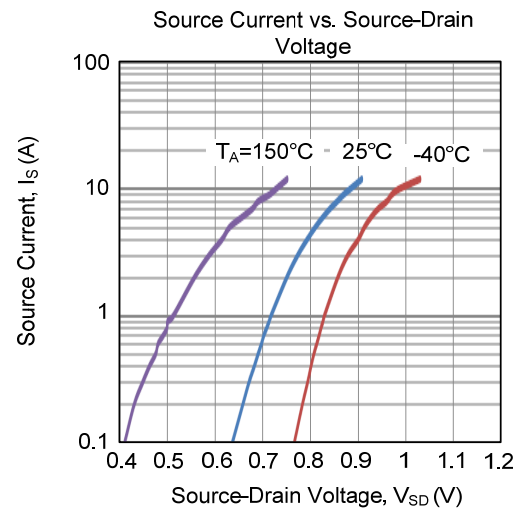
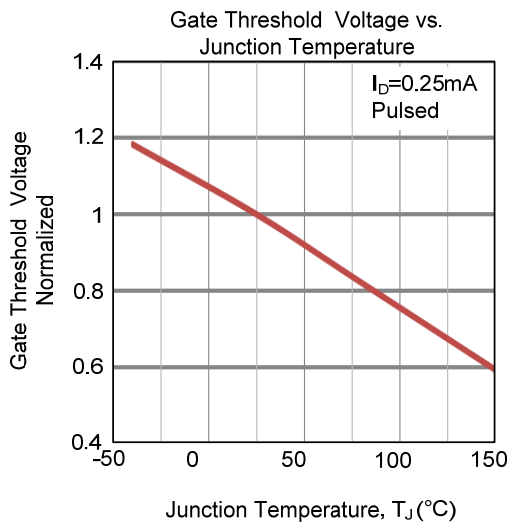


Unclamped Inductive Switching Waveforms

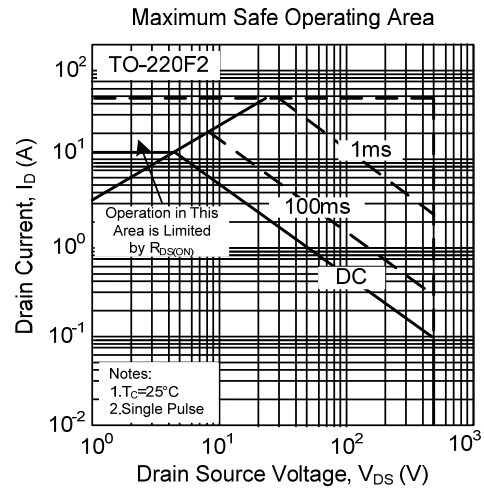
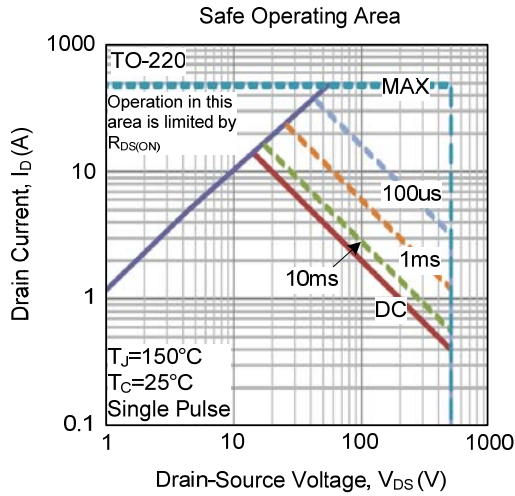
TYPICAL CHARACTERISTICS



TYPICAL CHARACTERISTICS (Cont.)



TYPICAL CHARACTERISTICS (Cont.)



UTC assumes no responsibility for equipment failures that result from using products at values that exceed, even momentarily, rated values (such as maximum ratings, operating condition ranges, or other parameters) listed in products specifications of any and all UTC products described or contained herein. UTC products are not designed for use in life support appliances, devices or systems where malfunction of these products can be reasonably expected to result in personal injury. Reproduction in whole or in part is prohibited without the prior written consent of the copyright owner. UTC reserves the right to make changes to information published in this document, including without limitation specifications and product descriptions, at any time and without notice. This document supersedes and replaces all information supplied prior to the publication hereof.