



MUR460

DIODE

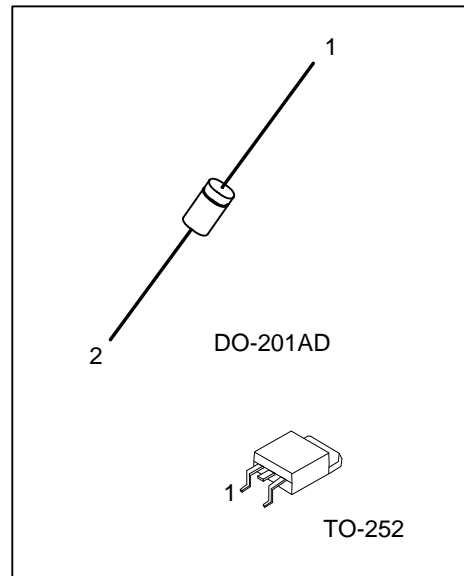
HIGH EFFICIENCY GLASS PASSIVATED RECTIFIER

DESCRIPTION

The UTC **MUR460** is a high efficiency glass passivated rectifier, it uses UTC's advanced technology to provide customers with low power loss, high efficiency, low forward voltage drop, high current surge, high speed switching and low reverse leakage, etc.

FEATURES

- * Low power loss, high efficiency
- * High speed switching
- * Low forward voltage drop
- * Low reverse leakage
- * High current capability
- * High reliability
- * High current surge



ORDERING INFORMATION

Ordering Number		Package	Pin Assignment			Packing
Lead Free	Halogen Free		1	2	3	
MUR460L-Z21D-B	MUR460G-Z21D-B	DO-201AD	K	A	-	Tape Box
MUR460L-TN3-R	MUR460G-TN3-R	TO-252	A	K	A	Tape Reel

Note: Pin Assignment: A: Anode K: Cathode

<p>MUR460G-Z21D-R</p> <p>(1) Packing Type</p> <p>(2) Package Type</p> <p>(3) Green Package</p>	<p>(1) B: Tape Box, R: Tape Reel</p> <p>(2) Z21D: DO-201AD, TN3: TO-252</p> <p>(3) G: Halogen Free and Lead Free, L: Lead Free</p>
--	--

MARKING

DO-201AD	TO-252
<p>→ Cathode Band for uni-directional Only</p> <p>MUR460 □</p> <p>→ L: Lead Free</p> <p>→ G: Halogen Free</p> <p>→ Date Code</p>	<p>UTC</p> <p>MUR460 □</p> <p>→ L: Lead Free</p> <p>→ G: Halogen Free</p> <p>→ Date Code</p> <p>← Lot Code</p> <p>1</p>

■ ABSOLUTE MAXIMUM RATINGS

Ratings at 25°C ambient temperature unless otherwise specified.

Single phase half-wave 60Hz, resistive or inductive load, for capacitive load current derate by 20%.

PARAMETER	SYMBOL	RATINGS	UNIT
Repetitive Peak Reverse Voltage	V_{RRM}	600	V
RMS Voltage	V_{RMS}	420	V
DC Blocking Voltage	V_{DC}	600	V
Average Forward Rectified Current at $T_A=55^\circ\text{C}$	$I_{(AV)}$	4.0	A
Non-Repetitive Peak Forward Surge Current 8.3ms Single Half Sine-Wave Superimposed on Rated Load (JEDEC Method)	I_{FSM}	60	A
Junction Temperature	T_J	-65 ~ +150	°C
Storage Temperature	T_{STG}	-65 ~ +150	°C

Note: Absolute maximum ratings are those values beyond which the device could be permanently damaged. Absolute maximum ratings are stress ratings only and functional device operation is not implied.

■ THERMAL DATA

PARAMETER	SYMBOL	RATINGS	UNIT
Junction to Ambient	DO-201AD	50	°C/W
	TO-252	40	°C/W

Note: Mounted on a 1 in² pad of 2 oz copper follow by JEDEC standard.

■ ELECTRICAL CHARACTERISTICS

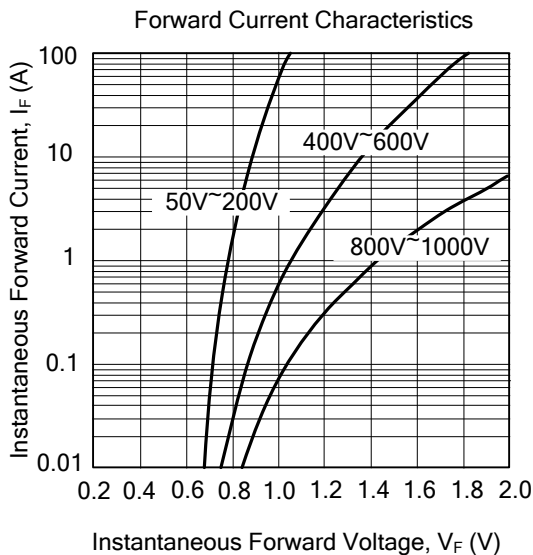
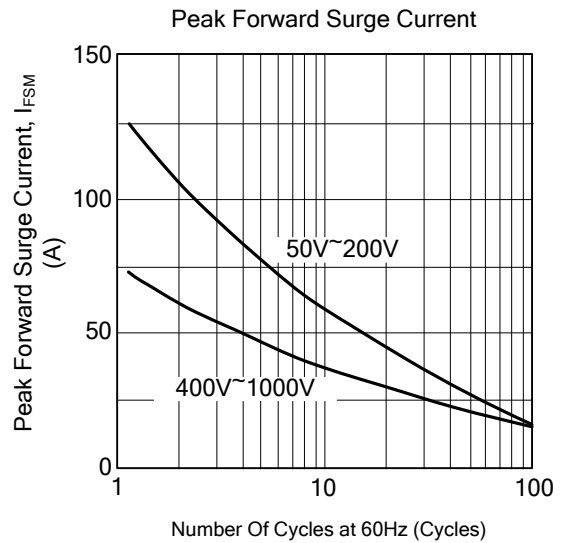
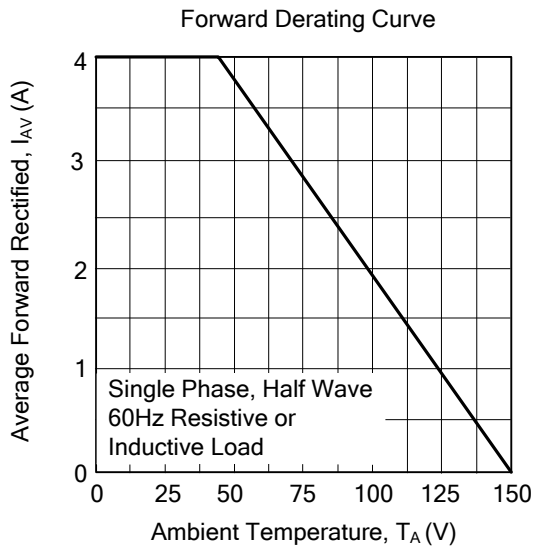
Ratings at 25°C ambient temperature unless otherwise specified.

Single phase half-wave 60Hz, resistive or inductive load, for capacitive load current derate by 20%.

PARAMETER	SYMBOL	TEST CONDITIONS	MIN	TYP	MAX	UNIT
Forward Voltage	V_F	$I_F=4.0\text{A}, T_J=25^\circ\text{C}$			1.28	V
DC Reverse Current at Rated DC Blocking Voltage	I_R	$T_J=25^\circ\text{C}$			10.0	μA
Reverse Recovery Time (Note 1)	t_{rr}				50	ns

Note: Reverse recovery condition $I_F=0.5\text{A}, I_R=1.0\text{A}, I_{rr}=0.25\text{A}$.

■ TYPICAL CHARACTERISTICS



UTC assumes no responsibility for equipment failures that result from using products at values that exceed, even momentarily, rated values (such as maximum ratings, operating condition ranges, or other parameters) listed in products specifications of any and all UTC products described or contained herein. UTC products are not designed for use in life support appliances, devices or systems where malfunction of these products can be reasonably expected to result in personal injury. Reproduction in whole or in part is prohibited without the prior written consent of the copyright owner. UTC reserves the right to make changes to information published in this document, including without limitation specifications and product descriptions, at any time and without notice. This document supersedes and replaces all information supplied prior to the publication hereof.