



# RS1010FL

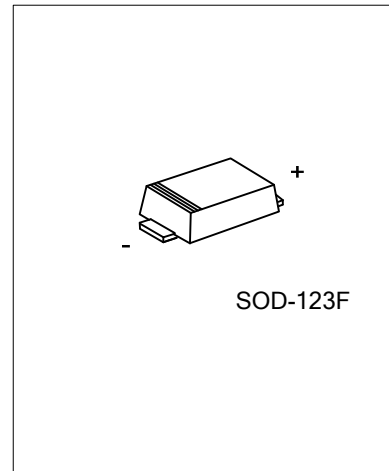
DIODE

## SURFACE MOUNT FAST DIODE

### DESCRIPTION

The UTC **RS1010FL** is a surface mount fast diode, it uses UTC's advanced technology to provide customers with fast switching and low reverse leakage, etc.

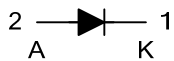
The UTC **RS1010FL** is suitable for surface mounted applications.



### FEATURES

- \* Fast switching
- \* Low profile package
- \* Low reverse leakage

### SYMBOL



### ORDERING INFORMATION

| Ordering Number  | Package  | Pin Assignment |   | Packing   |
|------------------|----------|----------------|---|-----------|
|                  |          | 1              | 2 |           |
| RS1010FLG-CA2F-R | SOD-123F | K              | A | Tape Reel |

Note: Pin Assignment: A: Anode K: Cathode

|                         |  |
|-------------------------|--|
| <p>RS1010FLG-CA2F-R</p> | <p>(1) R: Tape Reel</p> <p>(2) CA2F: SOD-123F</p> <p>(3) G: Halogen Free and Lead Free</p> |
|-------------------------|--|

### MARKING



### ■ ABSOLUTE MAXIMUM RATINGS

Ratings at 25°C ambient temperature unless otherwise specified.

Single phase half-wave 60Hz, resistive or inductive load, for capacitive load current derate by 20%.

| PARAMETER  | SYMBOL      | RATINGS  | UNIT |
|--|-------------|----------|------|
| Repetitive Peak Reverse Voltage  | $V_{RRM}$   | 1000     | V    |
| RMS Voltage  | $V_{RMS}$   | 700      | V    |
| DC Blocking Voltage  | $V_{DC}$    | 1000     | V    |
| Average Forward Rectified Current Derate above $T_C=110^{\circ}C$                                | $I_{F(AV)}$ | 1.0      | A    |
| Peak Forward Surge Current 8.3ms Single Half Sine-Wave Superimposed on Rated Load (JEDEC Method) | $I_{FSM}$   | 30       | A    |
| Junction Temperature   | $T_J$       | -55~+150 | °C   |
| Storage Temperature  | $T_{STG}$   | -55~+150 | °C   |

Note: Absolute maximum ratings are those values beyond which the device could be permanently damaged.

Absolute maximum ratings are stress ratings only and functional device operation is not implied.

### ■ THERMAL DATA

| PARAMETER           | SYMBOL        | RATINGS | UNIT |
|---------------------|---------------|---------|------|
| Junction to Ambient | $\theta_{JA}$ | 200     | °C/W |

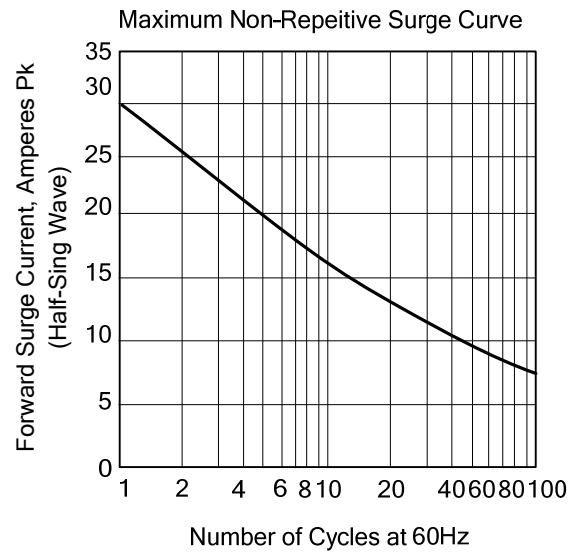
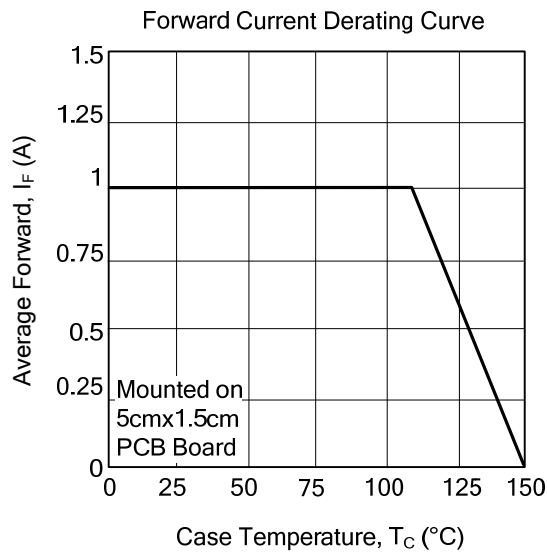
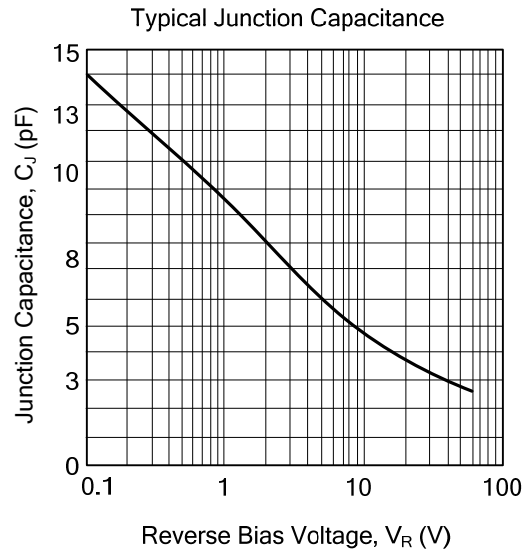
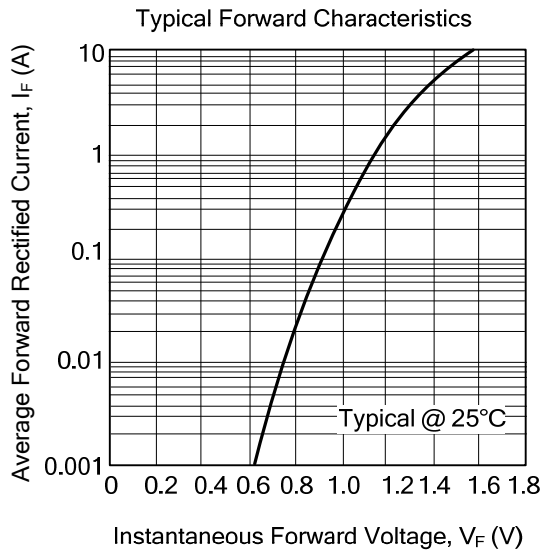
### ■ ELECTRICAL CHARACTERISTICS

Ratings at 25°C ambient temperature unless otherwise specified.

Single phase half-wave 60Hz, resistive or inductive load, for capacitive load current derate by 20%.

| PARAMETER                                       | SYMBOL   | TEST CONDITIONS                  | MIN | TYP | MAX  | UNIT    |
|---|----------|----------------------------------|-----|-----|------|---------|
| Instantaneous Forward Voltage                   | $V_F$    | $I_F=0.7A$                       |     |     | 1.15 | V       |
|   |          | $I_F=1.0A$                       |     |     | 1.3  | V       |
| DC Reverse Current at Rated DC Blocking Voltage | $I_R$    | $T_J=25^{\circ}C$                |     |     | 1.0  | $\mu A$ |
|   |          | $T_J=125^{\circ}C$               |     |     | 50   | $\mu A$ |
| Reverse Recovery Time                           | $t_{rr}$ | $I_F=0.5A, I_R=1A, I_{rr}=0.25A$ |     |     | 500  | nS      |
| Junction Capacitance                            | $C_J$    | $V_R=4V, f=1MHz$                 |     | 9   |      | pF      |

## TYPICAL CHARACTERISTICS



UTC assumes no responsibility for equipment failures that result from using products at values that exceed, even momentarily, rated values (such as maximum ratings, operating condition ranges, or other parameters) listed in products specifications of any and all UTC products described or contained herein. UTC products are not designed for use in life support appliances, devices or systems where malfunction of these products can be reasonably expected to result in personal injury. Reproduction in whole or in part is prohibited without the prior written consent of the copyright owner. The information presented in this document does not form part of any quotation or contract, is believed to be accurate and reliable and may be changed without notice.