



SB540

DIODE

5.0A SCHOTTKY BARRIER RECTIFIER

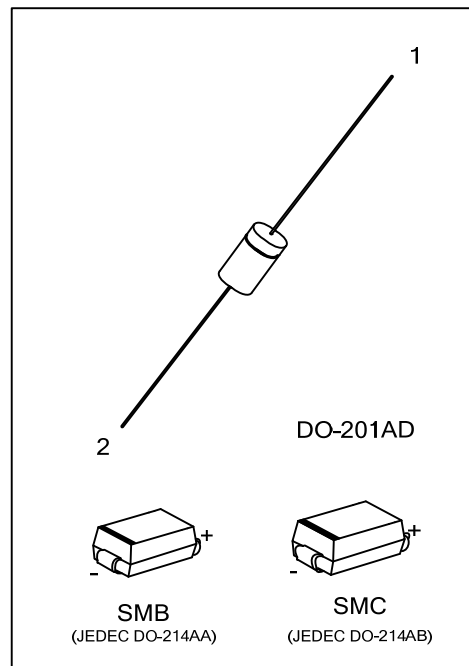
DESCRIPTION

The UTC **SB540** is 5.0A schottky barrier rectifier. it uses UTC's advanced technology to provide customers with high current capability and low forward voltage drop, etc.

The UTC **SB540** is suitable for free wheeling, low voltage and polarity protection applications, etc.

FEATURES

- * Metal to silicon rectifier, majority carrier conduction.
- * For use in low voltage, high frequency inverters free wheeling, and polarity protection applications.
- * Low power loss, high efficiency.
- * High current capability, low V_F .
- * High surge capacity.



ORDERING INFORMATION

Ordering Number		Package	Pin Assignment		Packing
Lead Free	Halogen Free		1	2	
SB540L-SMB-R	SB540G-SMB-R	SMB	K	A	Tape Reel
SB540L-SMC-R	SB540G-SMC-R	SMC	K	A	Tape Reel
SB540L-Z21D-B	SB540G-Z21D-B	DO-201AD	K	A	Tape Box

Note: Pin Assignment: A: Anode K: Cathode

<p>SB540L-SMB-R</p> <p>(1) Packing Type (2) Package Type (3) Green Package</p>	<p>(1) R: Tape Reel, B: Tape Box (2) SMB: SMB, SMC: SMC, Z21D: DO-201AD (3) L: Lead Free, G: Halogen Free and Lead Free</p>
--	---

MARKING

SMB / SMC	DO-201AD

■ ABSOLUTE MAXIMUM RATINGS ($T_A=25^\circ\text{C}$ unless otherwise specified.)(Note 2)

PARAMETER	SYMBOL	RATINGS	UNIT
DC Blocking Voltage	V_R	40	V
Peak Repetitive Reverse Voltage	V_{RRM}	40	V
Working Peak Reverse Voltage	V_{RWM}	40	V
RMS Reverse Voltage	$V_{R(RMS)}$	28	V
Average Rectified Output Current	I_O	5.0	A
Non-repetitive Peak Forward Surge Current 8.3 ms Single Half-Sine-Wave	I_{FSM}	150	A
Power Dissipation	SMB/SMC	3.7	W
	DO-201AD	5.0	
Junction Temperature	T_J	-65 ~ +150	$^\circ\text{C}$
Storage Temperature	T_{STG}	-65 ~ +150	$^\circ\text{C}$

Notes: 1. Absolute maximum ratings are those values beyond which the device could be permanently damaged. Absolute maximum ratings are stress ratings only and functional device operation is not implied.

2. These ratings are limiting values above which the serviceability of any semiconductor device may be impaired.

■ THERMAL DATA

PARAMETER	SYMBOL	RATINGS	UNIT
Junction to Ambient (Note 3)	SMB/SMC	75	$^\circ\text{C/W}$
	DO-201AD	40	

■ ELECTRICAL CHARACTERISTICS ($T_A=25^\circ\text{C}$ unless otherwise specified.)

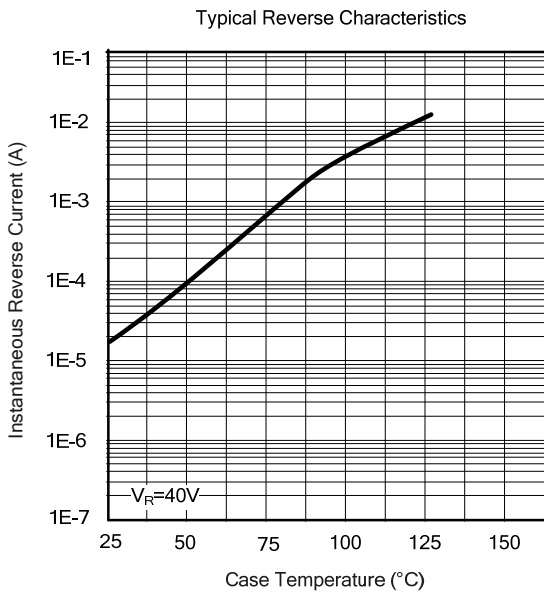
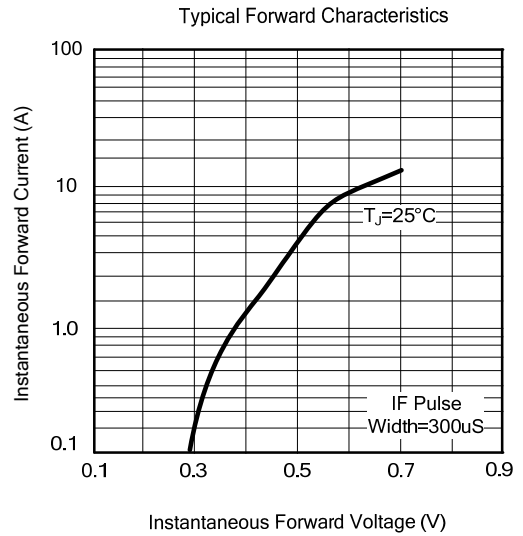
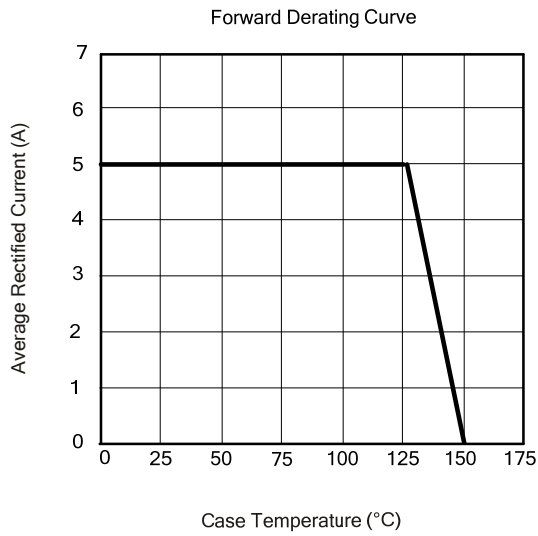
PARAMETER	SYMBOL	TEST CONDITIONS	MIN	TYP	MAX	UNIT
Reverse Breakdown Voltage (Note 1)	$V_{(BR)R}$	$I_R=0.50\text{mA}$	40			V
Forward Voltage Drop	V_{FM}	$I_F=5.0\text{A}, T_J=25^\circ\text{C}$			0.55	V
		$I_F=5.0\text{A}, T_J=100^\circ\text{C}$			0.50	V
Leakage Current (Note 1)	I_{RM}	$V_R=40\text{V}, T_J=25^\circ\text{C}$			0.50	mA
		$V_R=40\text{V}, T_J=100^\circ\text{C}$			50	mA

Notes: 1. Short duration pulse test used to minimize self-heating effect.

2. Thermal resistance junction to case mounted on heatsink.

3. 1 inch square pad size (1x0.5 inch for each lead) on FR4 board.

■ TYPICAL CHARACTERISTICS



UTC assumes no responsibility for equipment failures that result from using products at values that exceed, even momentarily, rated values (such as maximum ratings, operating condition ranges, or other parameters) listed in products specifications of any and all UTC products described or contained herein. UTC products are not designed for use in life support appliances, devices or systems where malfunction of these products can be reasonably expected to result in personal injury. Reproduction in whole or in part is prohibited without the prior written consent of the copyright owner. The information presented in this document does not form part of any quotation or contract, is believed to be accurate and reliable and may be changed without notice.