



## UMUR2060

Preliminary

DIODE

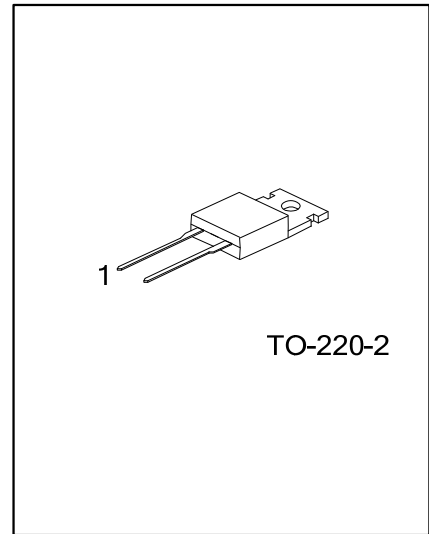
### PLASTIC ULTRA-FAST RECOVER RECTIFIER

#### DESCRIPTION

The UTC **UMUR2060** is an ultra-fast power rectifiers, it uses UTC's advanced technology to provide customers with low forward voltage drop and high current capability, etc.

#### FEATURES

- \* Low forward voltage drop
- \* High current capability
- \* High efficiency
- \* Low power loss



#### SYMBOL



#### ORDERING INFORMATION

Ordering Number		Package	Pin Assignment			Packing
Lead Free	Halogen Free		1	2	3	
UMUR2060L-TA2-T	UMUR2060G-TA2-T	TO-220-2	K	A	NC	Tube

Note: Pin Assignment: A: Anode, K: Cathode

<p>UMUR2060L-TA2-T</p> <ul style="list-style-type: none"> <li>(1)Packing Type</li> <li>(2)Package Type</li> <li>(3)Halogen Free</li> </ul>	<ul style="list-style-type: none"> <li>(1) T: Tube</li> <li>(2) TA2: TO-220-2</li> <li>(3) L: Lead Free, G: Halogen Free</li> </ul>
--	---

■ ABSOLUTE MAXIMUM RATINGS ( $T_A=25^\circ\text{C}$ , unless otherwise specified.)

PARAMETER	SYMBOL	RATINGS	UNIT
DC Blocking Voltage	$V_{DC}$	600	V
RMS Voltage	$V_{RMS}$	420	V
Peak Repetitive Reverse Voltage	$V_{RRM}$	600	V
Average Rectified Forward Current	$I_{F(AV)}$	20	A
Peak Forward Surge Current 8.3ms Single Half Sine-Wave	$I_{FSM}$	150	A
Operating Junction Temperature	$T_J$	-55~+150	$^\circ\text{C}$
Storage Temperature	$T_{STG}$	-55~+150	$^\circ\text{C}$

Note: Absolute maximum ratings are those values beyond which the device could be permanently damaged. Absolute maximum ratings are stress ratings only and functional device operation is not implied.

■ THERMAL CHARACTERISTICS (Ratings at  $25^\circ\text{C}$  ambient temperature unless otherwise specified.)

PARAMETER	SYMBOL	RATINGS	UNIT
Junction to Case	$\theta_{JC}$	2.0	$^\circ\text{C/W}$

■ ELECTRICAL CHARACTERISTICS ( $T_A=25^\circ\text{C}$ , unless otherwise specified.)

PARAMETER	SYMBOL	TEST CONDITIONS	MIN	TYP	MAX	UNIT
Forward Voltage	$V_F$	$I_F=20\text{A}$			1.50	V
Reverse Current	$I_R$	$T_A=25^\circ\text{C}$			10	$\mu\text{A}$
		$T_A=125^\circ\text{C}$			250	$\mu\text{A}$
Reverse Recovery Time	$t_{RR}$	$I_F=0.5\text{A}, I_R=1.0\text{A}, I_{REC}=0.25\text{A}$			50	ns

UTC assumes no responsibility for equipment failures that result from using products at values that exceed, even momentarily, rated values (such as maximum ratings, operating condition ranges, or other parameters) listed in products specifications of any and all UTC products described or contained herein. UTC products are not designed for use in life support appliances, devices or systems where malfunction of these products can be reasonably expected to result in personal injury. Reproduction in whole or in part is prohibited without the prior written consent of the copyright owner. The information presented in this document does not form part of any quotation or contract, is believed to be accurate and reliable and may be changed without notice.