



30N06V-Q

Preliminary

Power MOSFET

60V, 30A N-CHANNEL POWER MOSFET

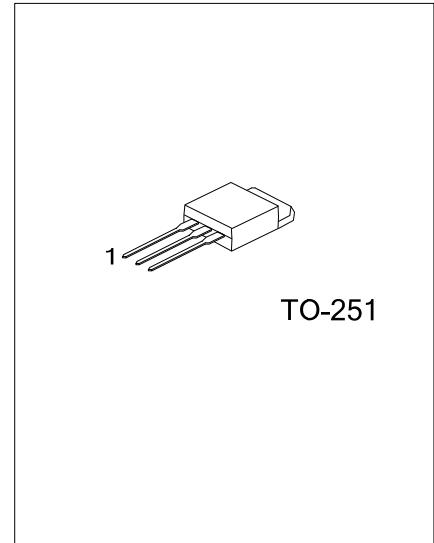
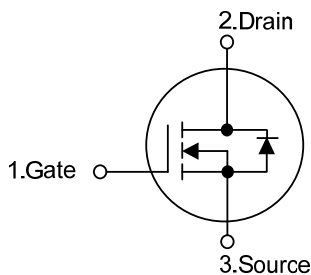
DESCRIPTION

The UTC **30N06V-Q** is a low voltage power MOSFET and is designed to have better characteristics, such as fast switching time, low gate charge, low on-state resistance and excellent avalanche characteristics. This power MOSFET is usually used at automotive applications in power supplies, high efficient DC to DC converters and battery operated products.

FEATURES

- * $R_{DS(ON)} < 40m\Omega @ V_{GS} = 10V, I_D = 15A$
- * Fast switching capability
- * Avalanche energy specified

SYMBOL



ORDERING INFORMATION

Ordering Number		Package	Pin Assignment			Packing
Lead Free	Halogen Free		1	2	3	
30N06VL-TM3-T	30N06VG-TM3-T	TO-251	G	D	S	Tube

Note: Pin Assignment: G: Gate D: Drain S: Source

<p>30N06VL-TM3-T</p> <p>(1)Packing Type (2)Package Type (3)Lead Free</p>	<p>(1) T: Tube (2) TM3: TO-251 (3) L: Lead Free, G: Halogen Free</p>
--	--

■ ABSOLUTE MAXIMUM RATINGS($T_C = 25^\circ\text{C}$, unless otherwise specified)

PARAMETER	SYMBOL	RATINGS	UNIT
Drain-Source Voltage	V_{DSS}	60	V
Gate to Source Voltage	V_{GSS}	± 20	V
Continuous Drain Current	I_D	$T_C = 25^\circ\text{C}$	30
		$T_C = 100^\circ\text{C}$	21.3
Pulsed Drain Current (Note 2)	I_{DM}	120	A
Avalanche Energy	Single Pulsed (Note 3)	E_{AS}	250
	Repetitive (Note 2)	E_{AR}	8
Power Dissipation	P_D	46	W
Junction Temperature	T_J	+150	$^\circ\text{C}$
Operation Temperature	T_{OPR}	-55 ~ +150	$^\circ\text{C}$
Storage Temperature	T_{STG}	-55 ~ +150	$^\circ\text{C}$

Note: 1. Absolute maximum ratings are those values beyond which the device could be permanently damaged.

Absolute maximum ratings are stress ratings only and functional device operation is not implied.

2. Repeativity rating: pulse width limited by junction temperature

3. $L=0.66\text{mH}$, $I_{AS}=30\text{A}$, $V_{DD}=25\text{V}$, $R_G=20\Omega$, Starting $T_J=25^\circ\text{C}$

■ THERMAL DATA

PARAMETER	SYMBOL	RATING	UNIT
Junction to Ambient	θ_{JA}	110	$^\circ\text{C}/\text{W}$
Junction to Case	θ_{JC}	2.85	$^\circ\text{C}/\text{W}$

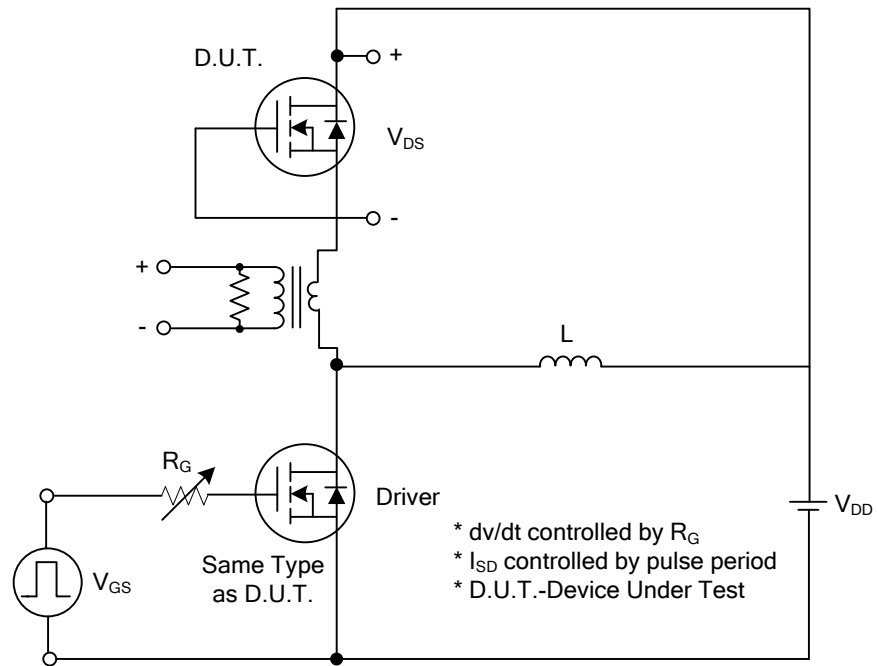
■ ELECTRICAL CHARACTERISTICS (T_C = 25°C, unless otherwise specified)

PARAMETER	SYMBOL	TEST CONDITIONS	MIN	TYP	MAX	UNIT
OFF CHARACTERISTICS						
Drain-Source Breakdown Voltage	BV _{DSS}	V _{GS} = 0 V, I _D = 250 μA	60			V
Drain-Source Leakage Current	I _{DSS}	V _{DS} = 60 V, V _{GS} = 0 V			10	μA
Gate-Source Leakage Current	Forward	I _{GSS}	V _{GS} = 20V, V _{DS} = 0 V		100	nA
	Reverse		V _{GS} = -20V, V _{DS} = 0 V		-100	nA
Breakdown Voltage Temperature Coefficient	ΔBV _{DSS} /ΔT _J	I _D = 250 μA, Referenced to 25°C		0.06		V/°C
ON CHARACTERISTICS						
Gate Threshold Voltage	V _{GS(TH)}	V _{DS} = V _{GS} , I _D = 250 μA	1.6		2.4	V
Static Drain-Source On-State Resistance	R _{DS(ON)}	V _{GS} = 10 V, I _D = 15 A			40	mΩ
DYNAMIC CHARACTERISTICS						
Input Capacitance	C _{ISS}	V _{GS} = 0 V, V _{DS} = 25 V, f = 1MHz		800		pF
Output Capacitance	C _{OSS}			300		pF
Reverse Transfer Capacitance	C _{RSS}			50		pF
SWITCHING CHARACTERISTICS						
Turn-On Delay Time	t _{D(ON)}	V _{DD} = 30V, I _D = 15 A, V _{GS} = 10V (Note 1, 2)		30		ns
Turn-On Rise Time	t _R			50		ns
Turn-Off Delay Time	t _{D(OFF)}			280		ns
Turn-Off Fall Time	t _F			120		ns
Total Gate Charge	Q _G	V _{DS} = 60V, V _{GS} = 10 V, I _D = 24A (Note 1, 2)		30		nC
Gate-Source Charge	Q _{GS}			5		nC
Gate-Drain Charge	Q _{GD}			8		nC
SOURCE-DRAIN DIODE RATINGS AND CHARACTERISTICS						
Drain-Source Diode Forward Voltage	V _{SD}	V _{GS} = 0 V, I _S = 30A			1.4	V
Maximum Continuous Drain-Source Diode Forward Current	I _S				30	A
Maximum Pulsed Drain-Source Diode Forward Current	I _{SM}				120	A

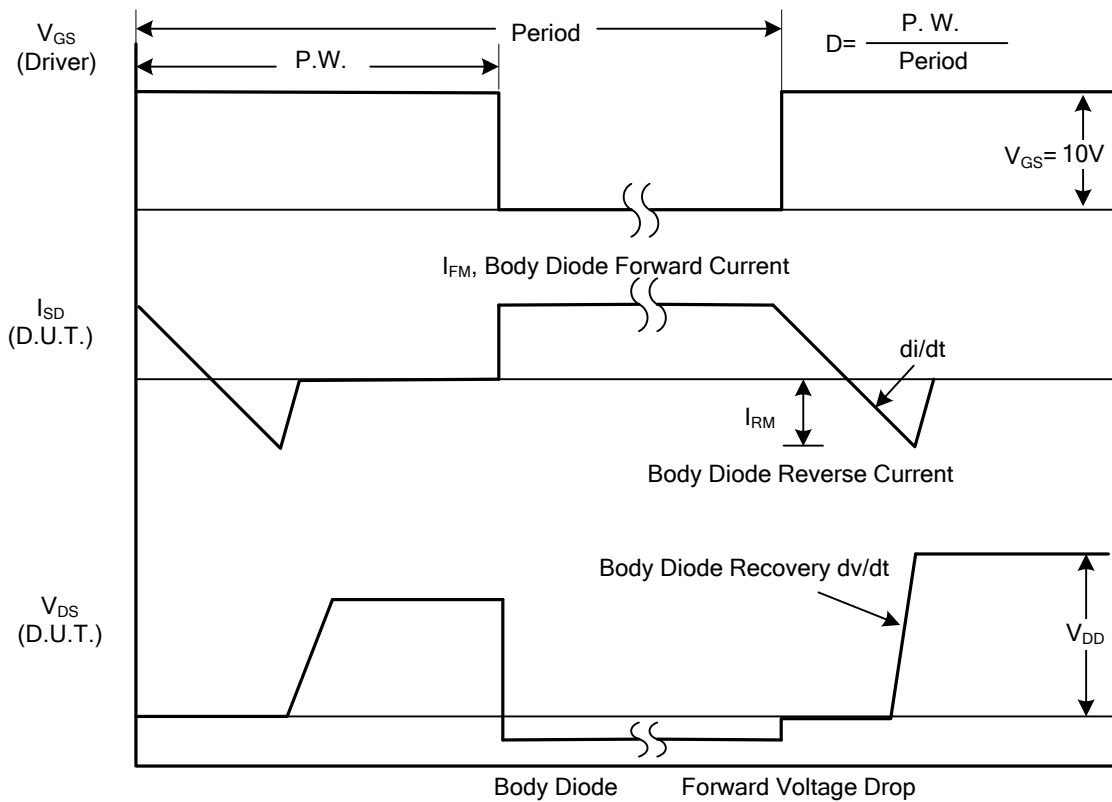
Notes: 1. Pulse Test : Pulse width ≤ 300 μs, Duty cycle ≤ 2%

2. Essentially independent of operating temperature.

■ TEST CIRCUITS AND WAVEFORMS

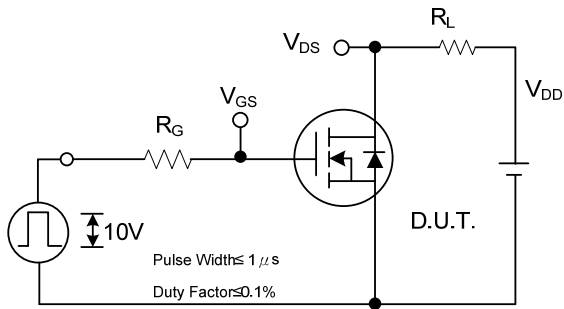


Peak Diode Recovery dv/dt Test Circuit

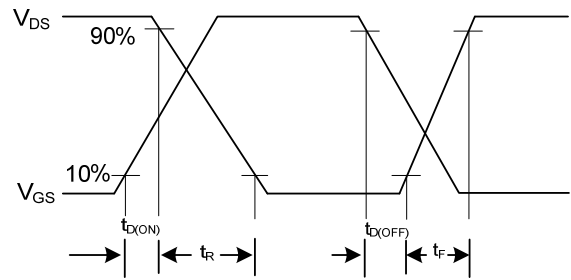


Peak Diode Recovery dv/dt Waveforms

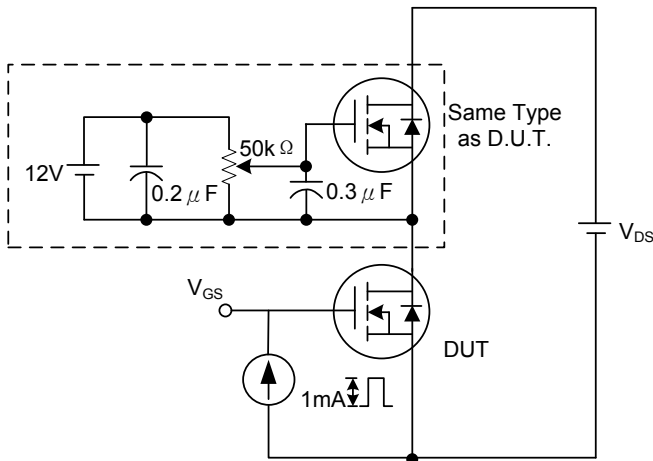
■ TEST CIRCUITS AND WAVEFORMS (Cont.)



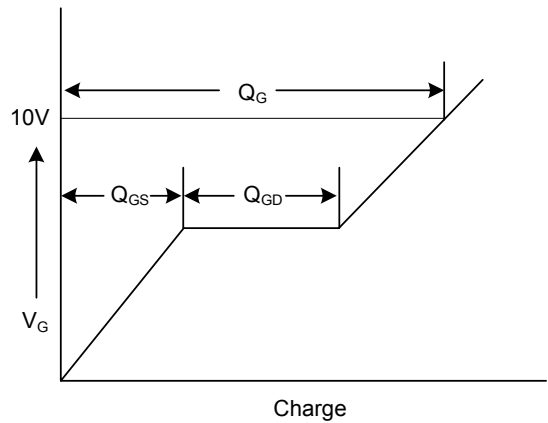
Switching Test Circuit



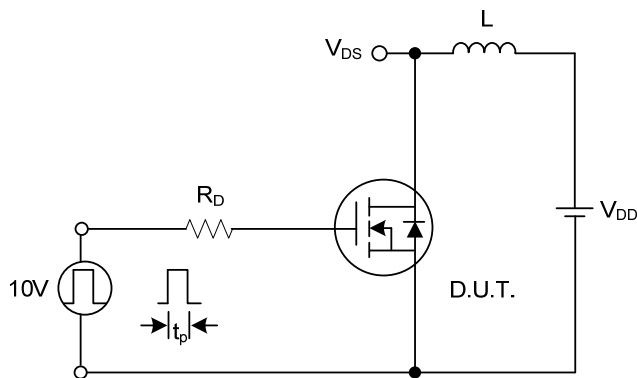
Switching Waveforms



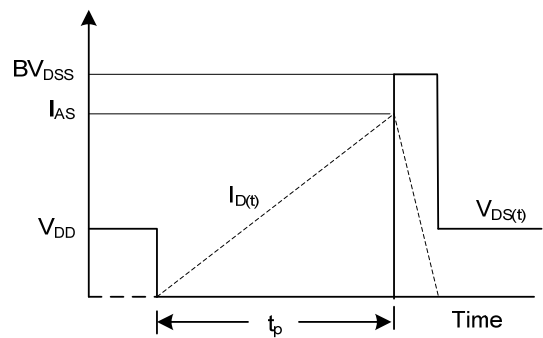
Gate Charge Test Circuit



Gate Charge Waveform



Unclamped Inductive Switching Test Circuit



Unclamped Inductive Switching Waveforms

UTC assumes no responsibility for equipment failures that result from using products at values that exceed, even momentarily, rated values (such as maximum ratings, operating condition ranges, or other parameters) listed in products specifications of any and all UTC products described or contained herein. UTC products are not designed for use in life support appliances, devices or systems where malfunction of these products can be reasonably expected to result in personal injury. Reproduction in whole or in part is prohibited without the prior written consent of the copyright owner. The information presented in this document does not form part of any quotation or contract, is believed to be accurate and reliable and may be changed without notice.