



# 78DXXAA

## LINEAR INTEGRATED CIRCUIT

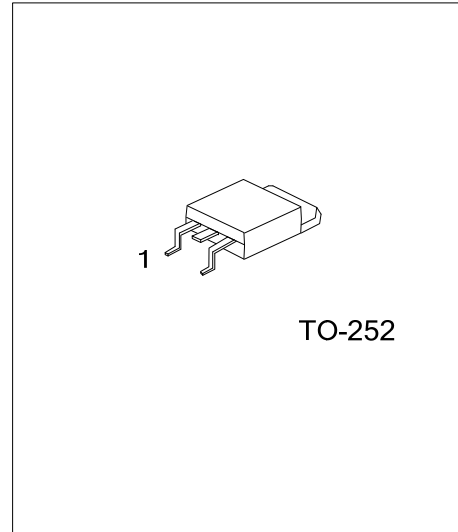
### 3-TERMINALS 1.5A POSITIVE VOLTAGE REGULATOR

#### DESCRIPTION

The UTC **78DXXAA** family is monolithic fixed voltage regulator integrated circuit. They are suitable for applications that required supply current up to 1.5 A.

#### FEATURES

- \* Peak output current up to 1.5A.
- \* Fixed output voltage of 5V, 6V, 7V, 8V, 9V, 10V, 12V, 15V and 18V available.
- \* Thermal overload shutdown protection.
- \* Short circuit current limiting.
- \* Output transistor SOA protection.



#### ORDERING INFORMATION

Ordering Number		Package	Pin Assignment			Packing
Lead Free	Halogen Free		1	2	3	
78DXXAAL-TN3-R	78DXXAAG-TN3-R	TO-252	I	G	O	Tape Reel
78DXXAAL-TN3-T	78DXXAAG-TN3-T	TO-252	I	G	O	Tube

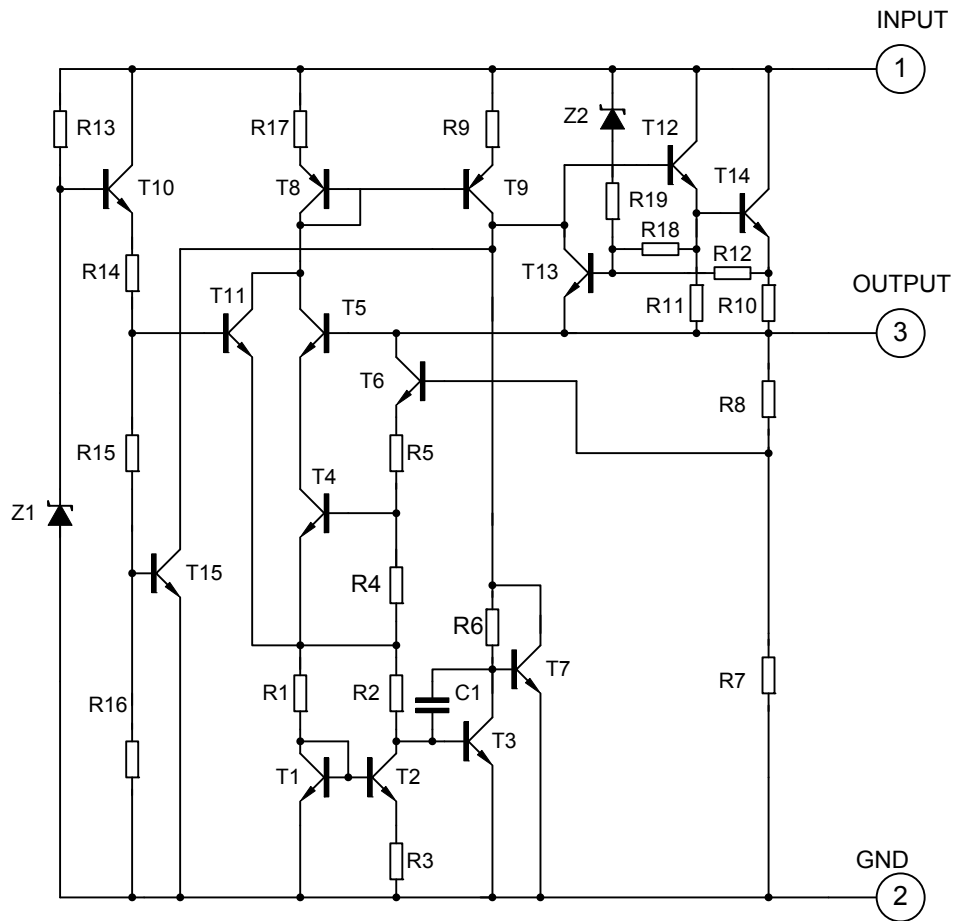
Note: Pin Code: I: Input G: GND O: Output

<p>78DXXAAG-TN3-R</p> <p>(1)Packing Type (2)Package Type (3)Lead Free (4)Output Voltage Code</p>	<p>(1) R: Tape Reel, T: Tube (2) TN3: TO-252 (3) G: Halogen Free and Lead Free, L: Lead Free (4) XX: refer to Marking Information</p>
--	---

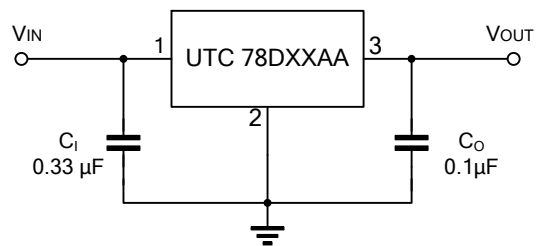
#### MARKING INFORMATION

PACKAGE	VOLTAGE CODE	MARKING
TO-252	05: 5V	<p>UTC 78DXXAA</p> <p>Voltage Code ←      → Date Code Lot Code ←      →</p> <p>1    2    3</p> <p>L: Lead Free G: Halogen Free</p>
	06: 6V	
	07: 7V	
	08: 8V	
	09: 9V	
	10: 10V	
	12: 12V	
	15: 15V	
	18: 18V	

### ■ BLOCK DIAGRAM



### ■ APPLICATION CIRCUIT



Note: Bypass capacitors are recommended for optimum stability and transient response and should be located as close as possible to the regulators.

■ ABSOLUTE MAXIMUM RATINGS ( $T_A=25^\circ\text{C}$ , unless otherwise specified)

PARAMETER	SYMBOL	RATINGS	UNIT
Input Voltage	$V_{IN}$	35	V
Output Current	$I_{OUT}$	1.5	A
Power Dissipation ( $T_C=25^\circ\text{C}$ )	$P_D$	10	W
Junction Temperature	$T_J$	+150	$^\circ\text{C}$
Operating Temperature	$T_{OPR}$	-40 ~ +125	$^\circ\text{C}$
Storage Temperature	$T_{STG}$	-55 ~ +150	$^\circ\text{C}$

Notes: 1. Absolute maximum ratings are those values beyond which the device could be permanently damaged. Absolute maximum ratings are stress ratings only and functional device operation is not implied.

2. The maximum steady state usable output current are dependent on input voltage, heat sinking, lead length of the package and copper pattern of PCB. The data are showed as electrical characteristics table represents pulse test conditions with junction temperatures specified at the initiation of test.

■ THERMAL DATA

PARAMETER	SYMBOL	RATINGS	UNIT
Junction to Ambient	$\theta_{JA}$	112	$^\circ\text{C/W}$
Junction to Case	$\theta_{JC}$	12.5	$^\circ\text{C/W}$

■ ELECTRICAL CHARACTERISTICS

( $T_J=25^\circ\text{C}$ ,  $C_I=0.33\mu\text{F}$ ,  $C_O=0.1\mu\text{F}$ ,  $P_D\leq 15\text{W}$ , unless otherwise specified)

For 78D05AA ( $V_{IN}=10\text{V}$ ,  $I_{OUT}=0.5\text{A}$ )

PARAMETER	SYMBOL	TEST CONDITIONS	MIN	TYP	MAX	UNIT
Output Voltage	$V_{OUT}$	$I_{OUT}=5\text{mA}\sim 1.0\text{A}$	4.90	5.0	5.10	V
		$V_{IN}=7.5\sim 20\text{V}$ , $I_{OUT}=5\text{mA}\sim 1.0\text{A}$	4.85		5.15	V
Load Regulation	$\Delta V_{OUT}$	$I_{OUT}=5\text{mA}\sim 1.5\text{A}$			100	mV
		$I_{OUT}=0.25\text{A}\sim 0.75\text{A}$			50	mV
Line Regulation	$\Delta V_{OUT}$	$V_{IN}=7\sim 25\text{V}$			50	mV
		$V_{IN}=7.5\sim 20\text{V}$ , $I_{OUT}=1.0\text{A}$			50	mV
Quiescent Current	$I_Q$	$I_{OUT}\leq 1.0\text{A}$			8.0	mA
Quiescent Current Change	$\Delta I_Q$	$V_{IN}=7.5\sim 20\text{V}$			1.0	mA
		$I_{OUT}=5\text{mA}\sim 1.0\text{A}$			0.5	mA
Output Noise Voltage	eN	$10\text{Hz}\leq f\leq 100\text{kHz}$		40		$\mu\text{V}$
Ripple Rejection	RR	$V_{IN}=8\sim 18\text{V}$ , $f=120\text{Hz}$	59	80		dB
Peak Output Current	$I_{PEAK}$			1.8		A
Short-Circuit Current	$I_{SC}$	$V_{IN}=35\text{V}$		250		mA
Dropout Voltage	$V_D$	$I_{OUT}=1.5\text{A}$		2.5		V

■ ELECTRICAL CHARACTERISTICS(Cont.)

For 78D06AA ( $V_{IN} = 11V$ ,  $I_{OUT} = 0.5A$ )

PARAMETER	SYMBOL	TEST CONDITIONS	MIN	TYP	MAX	UNIT
Output Voltage	$V_{OUT}$	$I_{OUT} = 5mA \sim 1.0A$	5.88	6.0	6.12	V
		$V_{IN} = 8.5 \sim 21V$ , $I_{OUT} = 5mA \sim 1.0A$	5.82		6.18	V
Load Regulation	$\Delta V_{OUT}$	$I_{OUT} = 5mA \sim 1.5A$			120	mV
		$I_{OUT} = 0.25A \sim 0.75A$			60	mV
Line Regulation	$\Delta V_{OUT}$	$V_{IN} = 8 \sim 25V$			60	mV
		$V_{IN} = 8.5 \sim 21V$ , $I_{OUT} = 1.0A$			60	mV
Quiescent Current	$I_Q$	$I_{OUT} \leq 1.0A$			8.0	mA
Quiescent Current Change	$\Delta I_Q$	$V_{IN} = 8.5 \sim 21V$			1.0	mA
		$I_{OUT} = 5mA \sim 1.0A$			0.5	mA
Output Noise Voltage	eN	$10Hz \leq f \leq 100kHz$		45		$\mu V$
Ripple Rejection	RR	$V_{IN} = 9 \sim 19V$ , $f = 120Hz$	56	75		dB
Peak Output Current	$I_{PEAK}$			1.8		A
Short-Circuit Current	$I_{SC}$	$V_{IN} = 35V$		250		mA
Dropout Voltage	$V_D$	$I_{OUT} = 1.5A$		2.5		V

For 78D07AA ( $V_{IN} = 13V$ ,  $I_{OUT} = 0.5A$ )

PARAMETER	SYMBOL	TEST CONDITIONS	MIN	TYP	MAX	UNIT
Output Voltage	$V_{OUT}$	$I_{OUT} = 5mA \sim 1.0A$	6.86	7.0	7.14	V
		$V_{IN} = 9.5 \sim 22V$ , $I_{OUT} = 5mA \sim 1.0A$	6.79		7.21	V
Load Regulation	$\Delta V_{OUT}$	$I_{OUT} = 5mA \sim 1.5A$			140	mV
		$I_{OUT} = 0.25A \sim 0.75A$			70	mV
Line Regulation	$\Delta V_{OUT}$	$V_{IN} = 9 \sim 25V$			70	mV
		$V_{IN} = 9.5 \sim 22V$ , $I_{OUT} = 1.0A$			70	mV
Quiescent Current	$I_Q$	$I_{OUT} \leq 1.0A$			8.0	mA
Quiescent Current Change	$\Delta I_Q$	$V_{IN} = 9.5 \sim 22V$			1.0	mA
		$I_{OUT} = 5mA \sim 1.0A$			0.5	mA
Output Noise Voltage	eN	$10Hz \leq f \leq 100kHz$		50		$\mu V$
Ripple Rejection	RR	$V_{IN} = 10.5V \sim 20.5V$ , $f = 120Hz$	56	75		dB
Peak Output Current	$I_{PEAK}$			1.7		A
Short-Circuit Current	$I_{SC}$	$V_{IN} = 35V$		250		mA
Dropout Voltage	$V_D$	$I_{OUT} = 1.5A$		2.5		V

For 78D08AA ( $V_{IN} = 14V$ ,  $I_{OUT} = 0.5A$ )

PARAMETER	SYMBOL	TEST CONDITIONS	MIN	TYP	MAX	UNIT
Output Voltage	$V_{OUT}$	$I_{OUT} = 5mA \sim 1.0A$	7.84	8.0	8.16	V
		$V_{IN} = 10.5 \sim 23V$ , $I_{OUT} = 5mA \sim 1.0A$	7.76		8.24	V
Load Regulation	$\Delta V_{OUT}$	$I_{OUT} = 5mA \sim 1.5A$			160	mV
		$I_{OUT} = 0.25A \sim 0.75A$			80	mV
Line Regulation	$\Delta V_{OUT}$	$V_{IN} = 10.5 \sim 25V$			80	mV
		$V_{IN} = 10.5 \sim 23V$ , $I_{OUT} = 1.0A$			80	mV
Quiescent Current	$I_Q$	$I_{OUT} \leq 1.0A$			8.0	mA
Quiescent Current Change	$\Delta I_Q$	$V_{IN} = 10.5 \sim 23V$			1.0	mA
		$I_{OUT} = 5mA \sim 1.0A$			0.5	mA
Output Noise Voltage	eN	$10Hz \leq f \leq 100kHz$		58		$\mu V$
Ripple Rejection	RR	$V_{IN} = 11.5 \sim 21.5V$ , $f = 120Hz$	53	72		dB
Peak Output Current	$I_{PEAK}$			1.8		A
Short-Circuit Current	$I_{SC}$	$V_{IN} = 35V$		250		mA
Dropout Voltage	$V_D$	$I_{OUT} = 1.5A$		2.5		V

■ ELECTRICAL CHARACTERISTICS(Cont.)

For 78D09AA ( $V_{IN} = 15V$ ,  $I_{OUT} = 0.5A$ )

PARAMETER	SYMBOL	TEST CONDITIONS	MIN	TYP	MAX	UNIT
Output Voltage	$V_{OUT}$	$I_{OUT} = 5mA \sim 1.0A$	8.82	9.0	9.18	V
		$V_{IN} = 11.5 \sim 24V$ , $I_{OUT} = 5mA \sim 1.0A$	8.73		9.27	V
Load Regulation	$\Delta V_{OUT}$	$I_{OUT} = 5mA \sim 1.5A$			180	mV
		$I_{OUT} = 0.25A \sim 0.75A$			90	mV
Line Regulation	$\Delta V_{OUT}$	$V_{IN} = 11.5 \sim 25V$			90	mV
		$V_{IN} = 11.5 \sim 24V$ , $I_{OUT} = 1.0A$			90	mV
Quiescent Current	$I_Q$	$I_{OUT} \leq 1.0A$			8.0	mA
Quiescent Current Change	$\Delta I_Q$	$V_{IN} = 11.5 \sim 24V$			1.0	mA
		$I_{OUT} = 5mA \sim 1.0A$			0.5	mA
Output Noise Voltage	eN	$10Hz \leq f \leq 100kHz$		58		$\mu V$
Ripple Rejection	RR	$V_{IN} = 12.5 \sim 22.5V$ , $f = 120Hz$	53	72		dB
Peak Output Current	$I_{PEAK}$			1.8		A
Short-Circuit Current	$I_{SC}$	$V_{IN} = 35V$		250		mA
Dropout Voltage	$V_D$	$I_{OUT} = 1.5A$		2.5		V

For 78D10AA ( $V_{IN} = 16V$ ,  $I_{OUT} = 0.5A$ )

PARAMETER	SYMBOL	TEST CONDITIONS	MIN	TYP	MAX	UNIT
Output Voltage	$V_{OUT}$	$I_{OUT} = 5mA \sim 1.0A$	9.8	10	10.2	V
		$V_{IN} = 12.5 \sim 25V$ , $I_{OUT} = 5mA \sim 1.0A$	9.7		10.3	V
Load Regulation	$\Delta V_{OUT}$	$I_{OUT} = 5mA \sim 1.5A$			200	mV
		$I_{OUT} = 0.25A \sim 0.75A$			100	mV
Line Regulation	$\Delta V_{OUT}$	$V_{IN} = 13 \sim 25V$			100	mV
		$V_{IN} = 13 \sim 25V$ , $I_{OUT} = 1.0A$			100	mV
Quiescent Current	$I_Q$	$I_{OUT} \leq 1.0A$			8.0	mA
Quiescent Current Change	$\Delta I_Q$	$V_{IN} = 12.6V \sim 25V$			1.0	mA
		$I_{OUT} = 5mA \sim 1.0A$			0.5	mA
Output Noise Voltage	eN	$10Hz \leq f \leq 100kHz$		58		$\mu V$
Ripple Rejection	RR	$V_{IN} = 13 \sim 23V$ , $f = 120Hz$	53	72		dB
Peak Output Current	$I_{PEAK}$			1.8		A
Short-Circuit Current	$I_{SC}$	$V_{IN} = 35V$		250		mA
Dropout Voltage	$V_D$	$I_{OUT} = 1.5A$		2.5		V

For 78D12AA ( $V_{IN} = 19V$ ,  $I_{OUT} = 0.5A$ )

PARAMETER	SYMBOL	TEST CONDITIONS	MIN	TYP	MAX	UNIT
Output Voltage	$V_{OUT}$	$I_{OUT} = 5mA \sim 1.0A$	11.76	12	12.24	V
		$V_{IN} = 14.5 \sim 27V$ , $I_{OUT} = 5mA \sim 1.0A$	11.64		12.36	V
Load Regulation	$\Delta V_{OUT}$	$I_{OUT} = 5mA \sim 1.5A$			240	mV
		$I_{OUT} = 0.25A \sim 0.75A$			120	mV
Line Regulation	$\Delta V_{OUT}$	$V_{IN} = 14.5 \sim 30V$			120	mV
		$V_{IN} = 14.6 \sim 27V$ , $I_{OUT} = 1.0A$			120	mV
Quiescent Current	$I_Q$	$I_{OUT} \leq 1.0A$			8.0	mA
Quiescent Current Change	$\Delta I_Q$	$V_{IN} = 14.5 \sim 30V$			1.0	mA
		$I_{OUT} = 5mA \sim 1.0A$			0.5	mA
Output Noise Voltage	eN	$10Hz \leq f \leq 100kHz$		75		$\mu V$
Ripple Rejection	RR	$V_{IN} = 15 \sim 25V$ , $f = 120Hz$	52	72		dB
Peak Output Current	$I_{PEAK}$			1.8		A
Short-Circuit Current	$I_{SC}$	$V_{IN} = 35V$		250		mA
Dropout Voltage	$V_D$	$I_{OUT} = 1.5A$		2.5		V

## ■ ELECTRICAL CHARACTERISTICS(Cont.)

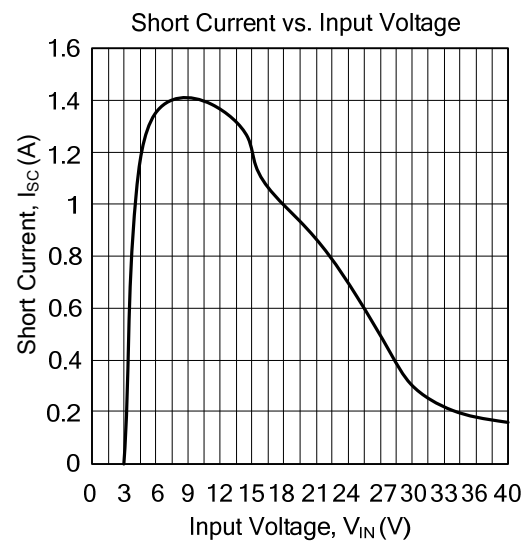
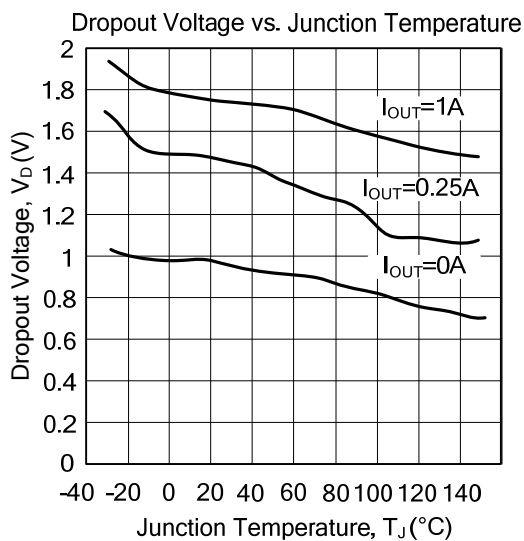
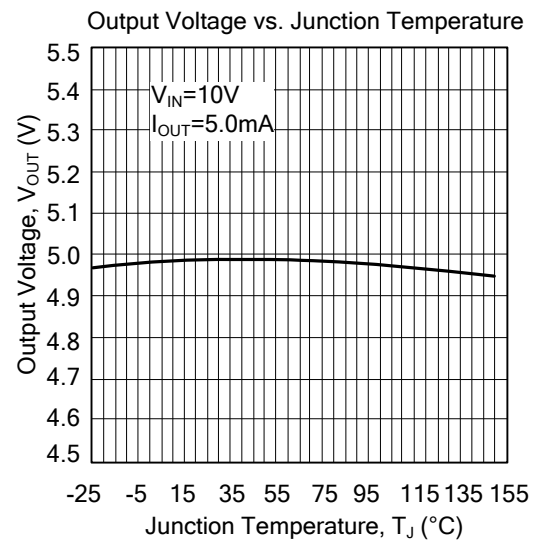
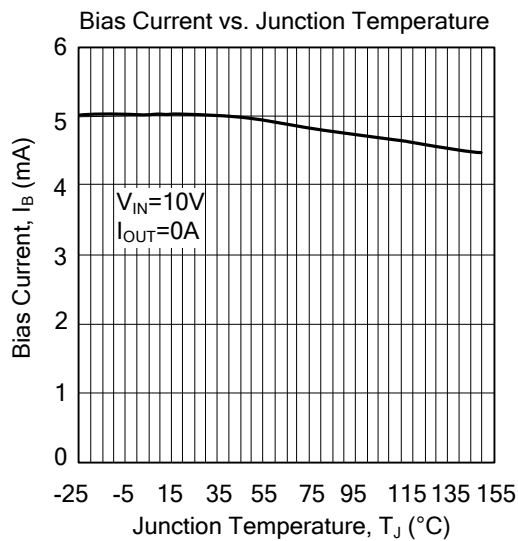
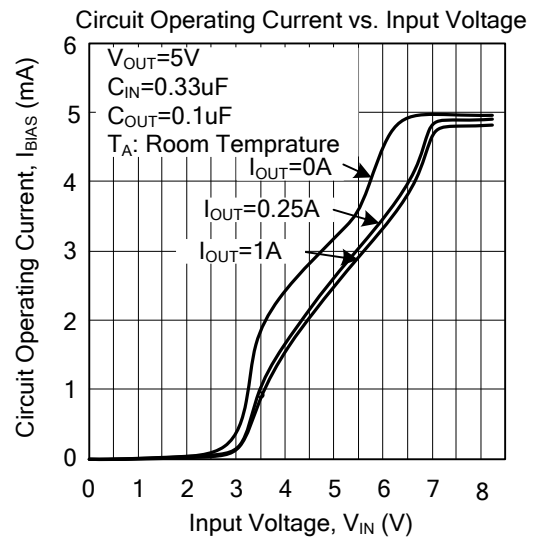
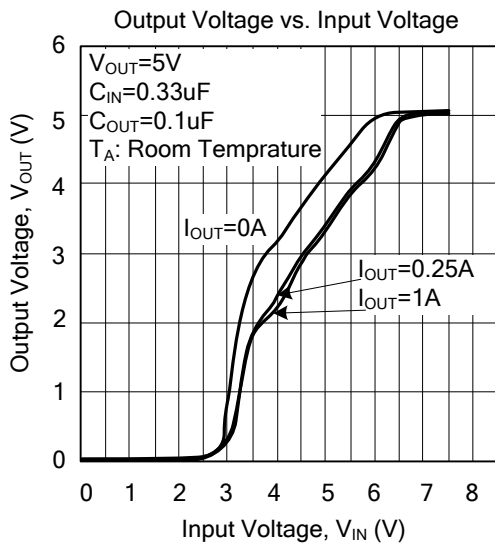
For 78D15AA ( $V_{IN}=23V$ ,  $I_{OUT}=0.5A$ )

PARAMETER	SYMBOL	TEST CONDITIONS	MIN	TYP	MAX	UNIT
Output Voltage	$V_{OUT}$	$I_{OUT}=5mA\sim 1.0A$	14.70	15	15.30	V
		$V_{IN}=17.5\sim 30V$ , $I_{OUT}=5mA\sim 1.0A$	14.55		15.45	V
Load Regulation	$\Delta V_{OUT}$	$I_{OUT}=5mA\sim 1.5A$			300	mV
		$I_{OUT}=0.25A\sim 0.75A$			150	mV
Line Regulation	$\Delta V_{OUT}$	$V_{IN}=18.5\sim 30V$			150	mV
		$V_{IN}=17.7\sim 30V$ , $I_{OUT}=1.0A$			150	mV
Quiescent Current	$I_Q$	$I_{OUT}\leq 1.0A$			8.0	mA
Quiescent Current Change	$\Delta I_Q$	$V_{IN}=17.5\sim 30V$			1.0	mA
		$I_{OUT}=5mA\sim 1.0A$			0.5	mA
Output Noise Voltage	eN	$10Hz\leq f\leq 100kHz$		90		$\mu V$
Ripple Rejection	RR	$V_{IN}=18.5\sim 28.5V$ , $f=120Hz$	51	70		dB
Peak Output Current	$I_{PEAK}$			1.8		A
Short-Circuit Current	$I_{SC}$	$V_{IN}=35V$		250		mA
Dropout Voltage	$V_D$	$I_{OUT}=1.5A$		2.5		V

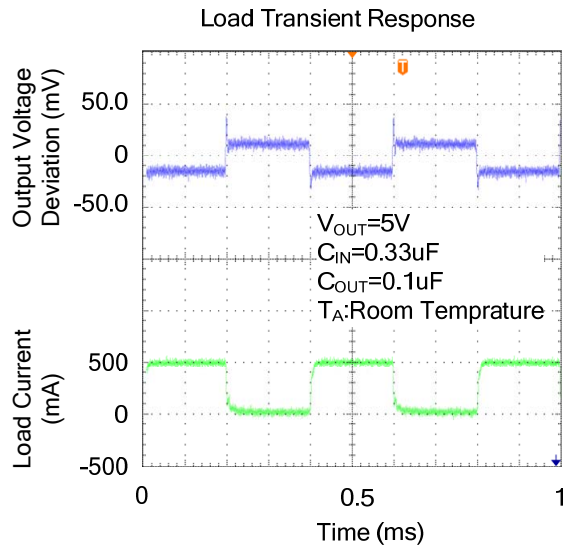
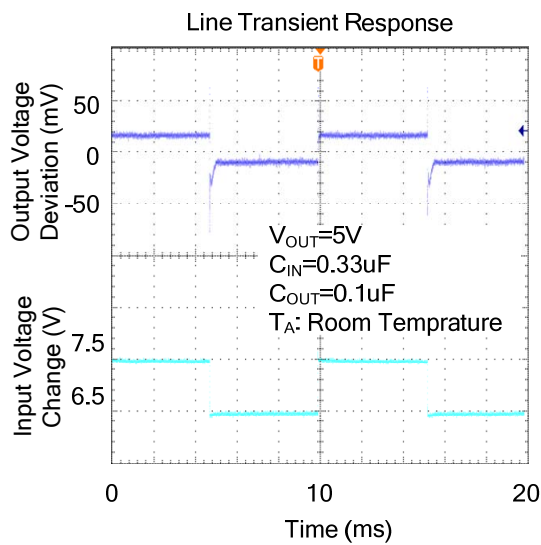
For 78D18AA ( $V_{IN}=27V$ ,  $I_{OUT}=0.5A$ )

PARAMETER	SYMBOL	TEST CONDITIONS	MIN	TYP	MAX	UNIT
Output Voltage	$V_{OUT}$	$I_{OUT}=5mA\sim 1.0A$	17.64	18	18.36	V
		$V_{IN}=21\sim 33V$ , $I_{OUT}=5mA\sim 1.0A$	17.46		18.54	V
Load Regulation	$\Delta V_{OUT}$	$I_{OUT}=5mA\sim 1.5A$			360	mV
		$I_{OUT}=0.25A\sim 0.75A$			180	mV
Line Regulation	$\Delta V_{OUT}$	$V_{IN}=21\sim 33V$			180	mV
		$V_{IN}=21\sim 33V$ , $I_{OUT}=1.0A$			180	mV
Quiescent Current	$I_Q$	$I_{OUT}\leq 1.0A$			8.0	mA
Quiescent Current Change	$\Delta I_Q$	$V_{IN}=21.5\sim 33V$			1.0	mA
		$I_{OUT}=5mA\sim 1.0A$			0.5	mA
Output Noise Voltage	eN	$10Hz\leq f\leq 100kHz$		110		$\mu V$
Ripple Rejection	RR	$V_{IN}=22\sim 32V$ , $f=120Hz$	50	69		dB
Peak Output Current	$I_{PEAK}$			1.8		A
Short-Circuit Current	$I_{SC}$	$V_{IN}=35V$		250		mA
Dropout Voltage	$V_D$	$I_{OUT}=1.5A$		2.5		V

## TYPICAL CHARACTERISTICS



■ TYPICAL CHARACTERISTICS(Cont.)



UTC assumes no responsibility for equipment failures that result from using products at values that exceed, even momentarily, rated values (such as maximum ratings, operating condition ranges, or other parameters) listed in products specifications of any and all UTC products described or contained herein. UTC products are not designed for use in life support appliances, devices or systems where malfunction of these products can be reasonably expected to result in personal injury. Reproduction in whole or in part is prohibited without the prior written consent of the copyright owner. UTC reserves the right to make changes to information published in this document, including without limitation specifications and product descriptions, at any time and without notice. This document supersedes and replaces all information supplied prior to the publication hereof.