



**UMMSZ52XXA**

Preliminary

**DIODE**

**SURFACE MOUNT SILICON  
ZENER DIODE**

■ **DESCRIPTION**

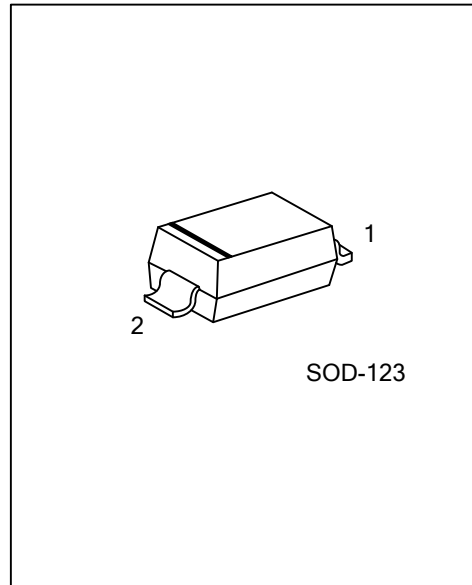
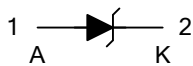
The UTC **UMMSZ52XXA** is a surface mount silicon zener diode, it uses UTC's advanced technology to provide customers with low reverse leakage current, etc.

The UTC **UMMSZ52XXA** is suitable for automated assembly processes.

■ **FEATURES**

\* Low reverse leakage current

■ **SYMBOL**



■ **ORDERING INFORMATION**

Ordering Number		Package	Pin Assignment		Packing
Lead Free	Halogen Free		1	2	
UMMSZ52XXAL-CA2-R	UMMSZ52XXAG-CA2-R	SOD-123	A	K	Tape Reel

Note: Pin Assignment: A: Anode K: Cathode

<p>UMMSZ52XXAG-AE3-R</p>	<p>(1) R: Tape Reel (2) CA2 : SOD-123 (3) G: Halogen Free and Lead Free, L: Lead Free</p>
--------------------------	---

■ **MARKING INFORMATION**

PACKAGE	VOLTAGE CODE	MARKING
SOD-123	5.1: 5.1V 6.2: 6.2V 18: 18V 20: 20V	

### ■ ABSOLUTE MAXIMUM RATINGS

PARAMETER	SYMBOL	RATINGS	UNIT
Zener Current	$I_{ZM}$	115	mA
Peak Forward Surge Current, 8.3ms Single Half Sine-Wave Superimposed on Rated Load (Note 2)	$I_{FSM}$	4.0	A
Power Dissipation at 75°C (Note 1)	$P_D$	500	mW
Operating Junction Temperature	$T_J$	-50 ~ +150	°C

Note: 1. Absolute maximum ratings are those values beyond which the device could be permanently damaged.

Absolute maximum ratings are stress ratings only and functional device operation is not implied.

2. Mounted on 5.0mm<sup>2</sup> (.013mm thick) land areas.

3. Measured on 8.3ms, single half sine-wave or equivalent square wave, duty cycle=4 pulses per minute maximum.

### ■ ELECTRICAL CHARACTERISTICS

( $V_F = 1.2V$  Max @  $I_F = 100mA$  for all types.)

Part Number	Marking Code	Nominal Zener Voltage			Zener Impedance				Reverse Leakage Current		Zener Current
		$V_Z @ I_{ZT}$ (V)			$Z_{ZT} @ I_{ZT}$		$Z_{ZK} @ I_{ZK}$		$I_R @ V_R$		$I_{ZM} @ T_A$
		MIN	TYP	MAX	Max ( $\Omega$ )	$I_Z$ (mA)	Max ( $\Omega$ )	$I_Z$ (mA)	Max ( $\mu A$ )	@ $V_R$ (V)	mA
UMMSZ5231A	5.1	5.0	5.1	5.2	17	20	1600	0.25	5.0	2.0	89
UMMSZ5234A	6.2	6.08	6.2	6.32	7	20	1000	0.25	5.0	4.0	73
UMMSZ5248A	18	17.64	18	18.36	21	7	600	0.25	0.1	14	25
UMMSZ5250A	20	19.6	20	20.4	25	6.2	600	0.25	0.1	15	23

UTC assumes no responsibility for equipment failures that result from using products at values that exceed, even momentarily, rated values (such as maximum ratings, operating condition ranges, or other parameters) listed in products specifications of any and all UTC products described or contained herein. UTC products are not designed for use in life support appliances, devices or systems where malfunction of these products can be reasonably expected to result in personal injury. Reproduction in whole or in part is prohibited without the prior written consent of the copyright owner. UTC reserves the right to make changes to information published in this document, including without limitation specifications and product descriptions, at any time and without notice. This document supersedes and replaces all information supplied prior to the publication hereof.