



2N60-E

Power MOSFET

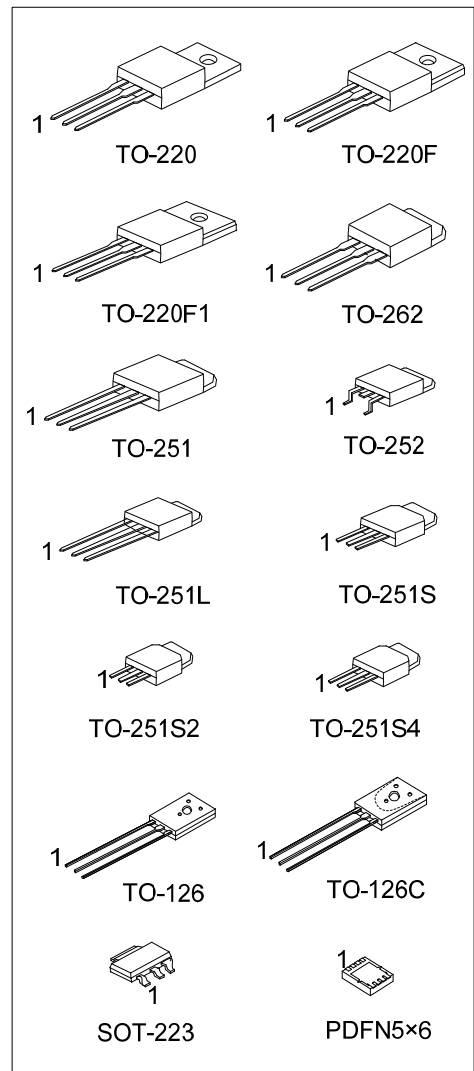
2.0A, 600V N-CHANNEL POWER MOSFET

DESCRIPTION

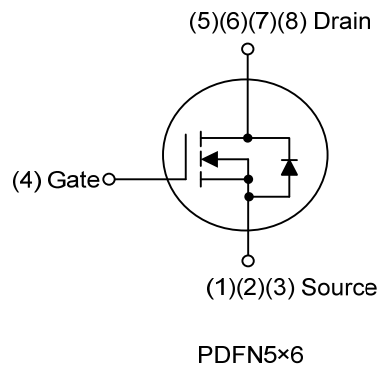
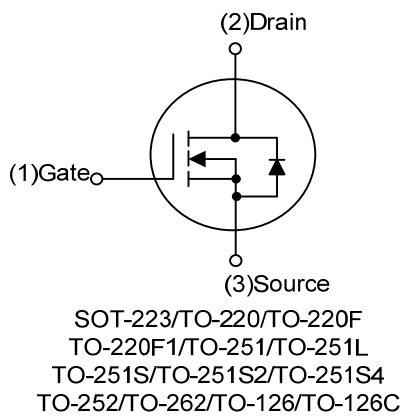
The UTC **2N60-E** is a high voltage power MOSFET and is designed to have better characteristics, such as fast switching time, low gate charge, low on-state resistance and have a high rugged avalanche characteristics. This power MOSFET is usually used at high speed switching applications in power supplies, PWM motor controls, high efficient AC to DC converters and bridge circuits.

FEATURES

- * $R_{DS(ON)} \leq 5.0 \Omega @ V_{GS} = 10V, I_D = 1.0A$
- * Fast switching capability
- * Avalanche energy specified
- * Improved dv/dt capability, high ruggedness



SYMBOL



ORDERING INFORMATION

Ordering Number		Package	Pin Assignment								Packing
Lead Free	Halogen Free		1	2	3	4	5	6	7	8	
2N60L-AA3-T	2N60G-AA3-T	SOT-223	G	D	S	-	-	-	-	-	Tube
2N60L-TA3-T	2N60G-TA3-T	TO-220	G	D	S	-	-	-	-	-	Tube
2N60L-TF1-T	2N60G-TF1-T	TO-220F1	G	D	S	-	-	-	-	-	Tube
2N60L-TF3-T	2N60G-TF3-T	TO-220F	G	D	S	-	-	-	-	-	Tube
2N60L-TM3-T	2N60G-TM3-T	TO-251	G	D	S	-	-	-	-	-	Tube
2N60L-TMA-T	2N60G-TMA-T	TO-251L	G	D	S	-	-	-	-	-	Tube
2N60L-TMS-T	2N60G-TMS-T	TO-251S	G	D	S	-	-	-	-	-	Tube
2N60L-TMS2-T	2N60G-TMS2-T	TO-251S2	G	D	S	-	-	-	-	-	Tube
2N60L-TMS4-T	2N60G-TMS4-T	TO-251S4	G	D	S	-	-	-	-	-	Tube
2N60L-TN3-R	2N60G-TN3-R	TO-252	G	D	S	-	-	-	-	-	Tape Reel
2N60L-T2Q-T	2N60G-T2Q-T	TO-262	G	D	S	-	-	-	-	-	Tube
2N60L-T60-K	2N60G-T60-K	TO-126	G	D	S	-	-	-	-	-	Bulk
2N60L-T6C-K	2N60G-T6C-K	TO-126C	G	D	S	-	-	-	-	-	Bulk
2N60L-P5060-R	2N60G-P5060-R	PDFN5×6	S	S	S	G	D	D	D	D	Tape Reel

Note: Pin Assignment: G: Gate D: Drain S: Source

<p>2N60G-AA3-R</p> <p>(1) Packing Type (2) Package Type (3) Green Package</p>	<p>(1) T: Tube, R: Tape Reel, K: Bulk (2) AA3: SOT-223, TA3: TO-220, TF1: TO-220F1, TF3: TO-220F, TM3: TO-251, TMA: TO-251L, TMS: TO-251S, TMS: TO-251S2, TMS: TO-251S4, TN3: TO-252, T2Q: TO-262, T60: TO-126, T6C: TO-126C, P5060: PDFN5×6 (3) G: Halogen Free and Lead Free, L: Lead Free</p>
---	--

MARKING

PACKAGE	MARKING
SOT-223	<p>L: Lead Free G: Halogen Free Date Code Lot Code</p>
TO-220 TO-220F TO-220F1 TO-251 TO-251L TO-251S TO-251S2 TO-251S4 TO-252 TO-262	<p>L: Lead Free G: Halogen Free Date Code Lot Code</p>
TO-126 TO-126C	<p>Lot Code Date Code L: Lead Free G: Halogen Free</p>
PDFN5×6	<p>Lot Code Date Code</p>

■ ABSOLUTE MAXIMUM RATINGS ($T_C = 25^\circ\text{C}$, unless otherwise specified)

PARAMETER	SYMBOL	RATINGS	UNIT	
Drain-Source Voltage	V_{DSS}	600	V	
Gate-Source Voltage	V_{GSS}	± 30	V	
Avalanche Current (Note 2)	I_{AR}	2.0	A	
Drain Current	Continuous	I_D	2.0	
	Pulsed (Note 2)	I_{DM}	8.0	
Avalanche Energy	Single Pulsed (Note 3)	E_{AS}	100	
Power Dissipation ($T_C = 25^\circ\text{C}$)	SOT-223	P_D	1	
	TO-220/ TO-262		54	
	TO-220F/TO-220F1		23	
	TO-251/TO-251L		44	W
	TO-252/TO-251S			
	TO-251S2/TO-251S4			
	TO-126/TO-126C		40	W
PDFN5x6	22	W		
Junction Temperature	T_J	+150	$^\circ\text{C}$	
Operating Temperature	T_{OPR}	-55 ~ +150	$^\circ\text{C}$	
Storage Temperature	T_{STG}	-55 ~ +150	$^\circ\text{C}$	

Notes: 1. Absolute maximum ratings are those values beyond which the device could be permanently damaged.

Absolute maximum ratings are stress ratings only and functional device operation is not implied.

2. Repetitive Rating : Pulse width limited by T_J

3. $L=50\text{mH}$, $I_{AS}=2\text{A}$, $V_{DD}=50\text{V}$, $R_G=25\ \Omega$, Starting $T_J = 25^\circ\text{C}$

4. $I_{SD}\leq 2.4\text{A}$, $di/dt\leq 200\text{A}/\mu\text{s}$, $V_{DD}\leq BV_{DSS}$, Starting $T_J = 25^\circ\text{C}$

■ THERMAL DATA

PARAMETER	PACKAGE	SYMBOL	RATINGS	UNIT
Junction to Ambient	SOT-223	θ_{JA}	150	$^\circ\text{C}/\text{W}$
	TO-220/ TO-262		62.5	$^\circ\text{C}/\text{W}$
	TO-220F/TO-220F1			
	TO-251/TO-251L		100	$^\circ\text{C}/\text{W}$
	TO-252/TO-251S			
	TO-251S2/TO-251S4			
	TO-126/TO-126C		89	$^\circ\text{C}/\text{W}$
PDFN5x6	75 (Note)	$^\circ\text{C}/\text{W}$		
Junction to Case	SOT-223	θ_{JC}	14	$^\circ\text{C}/\text{W}$
	TO-220/ TO-262		2.32	$^\circ\text{C}/\text{W}$
	TO-220F/TO-220F1		5.5	$^\circ\text{C}/\text{W}$
	TO-251/TO-251L		2.87	$^\circ\text{C}/\text{W}$
	TO-252/TO-251S			
	TO-251S2/TO-251S4			
	TO-126/TO-126C		3.12	$^\circ\text{C}/\text{W}$
PDFN5x6	5.6 (Note)	$^\circ\text{C}/\text{W}$		

Note: Note: The data tested by surface mounted on a 1 inch² FR-4 board with 2OZ copper.

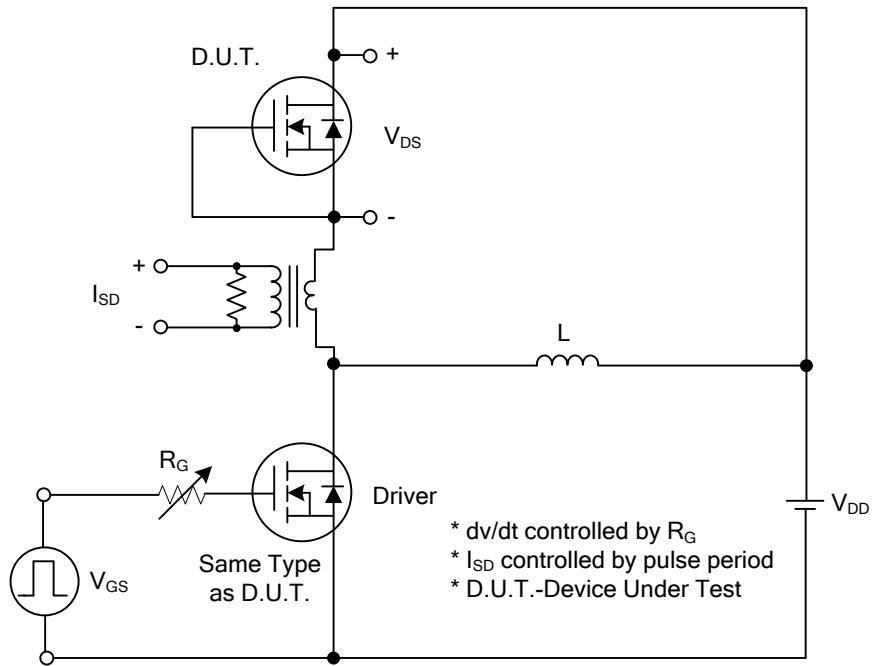
■ ELECTRICAL CHARACTERISTICS ($T_J=25^\circ\text{C}$, unless otherwise specified)

PARAMETER	SYMBOL	TEST CONDITIONS	MIN	TYP	MAX	UNIT
OFF CHARACTERISTICS						
Drain-Source Breakdown Voltage	BV_{DSS}	$V_{GS} = 0V, I_D = 250\mu A$	600			V
Drain-Source Leakage Current	I_{DSS}	$V_{DS} = 600V, V_{GS} = 0V$			10	μA
Gate-Source Leakage Current	Forward	I_{GSS}			100	nA
	Reverse				$V_{GS} = -30V, V_{DS} = 0V$	-100
Breakdown Voltage Temperature Coefficient	$\Delta BV_{DSS}/\Delta T_J$	$I_D=250\mu A$, Referenced to 25°C		0.4		$V/^\circ\text{C}$
ON CHARACTERISTICS						
Gate Threshold Voltage	$V_{GS(TH)}$	$V_{DS} = V_{GS}, I_D = 250\mu A$	2.0		4.0	V
Static Drain-Source On-State Resistance	$R_{DS(ON)}$	$V_{GS} = 10V, I_D = 1.0A$		4.36	5.0	Ω
DYNAMIC CHARACTERISTICS						
Input Capacitance	C_{ISS}	$V_{DS}=25V, V_{GS}=0V,$ $f=1\text{MHz}$		260	300	pF
Output Capacitance	C_{OSS}			35	40	pF
Reverse Transfer Capacitance	C_{RSS}			9	13	pF
SWITCHING CHARACTERISTICS						
Total Gate Charge	Q_G	$V_{DS}=100V, V_{GS}=10V,$ $I_D=2.4A$ (Note 1, 2)		35	50	nC
Gate-Source Charge	Q_{GS}			3.5		nC
Gate-Drain Charge	Q_{GD}			8		nC
Turn-On Delay Time	$t_{D(ON)}$	$V_{DD}=30V, I_D=1A,$ $R_G=25\Omega$ (Note 1, 2)		40	60	ns
Turn-On Rise Time	t_R			35	55	ns
Turn-Off Delay Time	$t_{D(OFF)}$			70	90	ns
Turn-Off Fall Time	t_F			40	55	ns
DRAIN-SOURCE DIODE CHARACTERISTICS						
Drain-Source Diode Forward Voltage	V_{SD}	$V_{GS} = 0V, I_{SD} = 2.0A$			1.4	V
Continuous Drain-Source Current	I_{SD}				2.0	A
Pulsed Drain-Source Current	I_{SM}				8.0	A

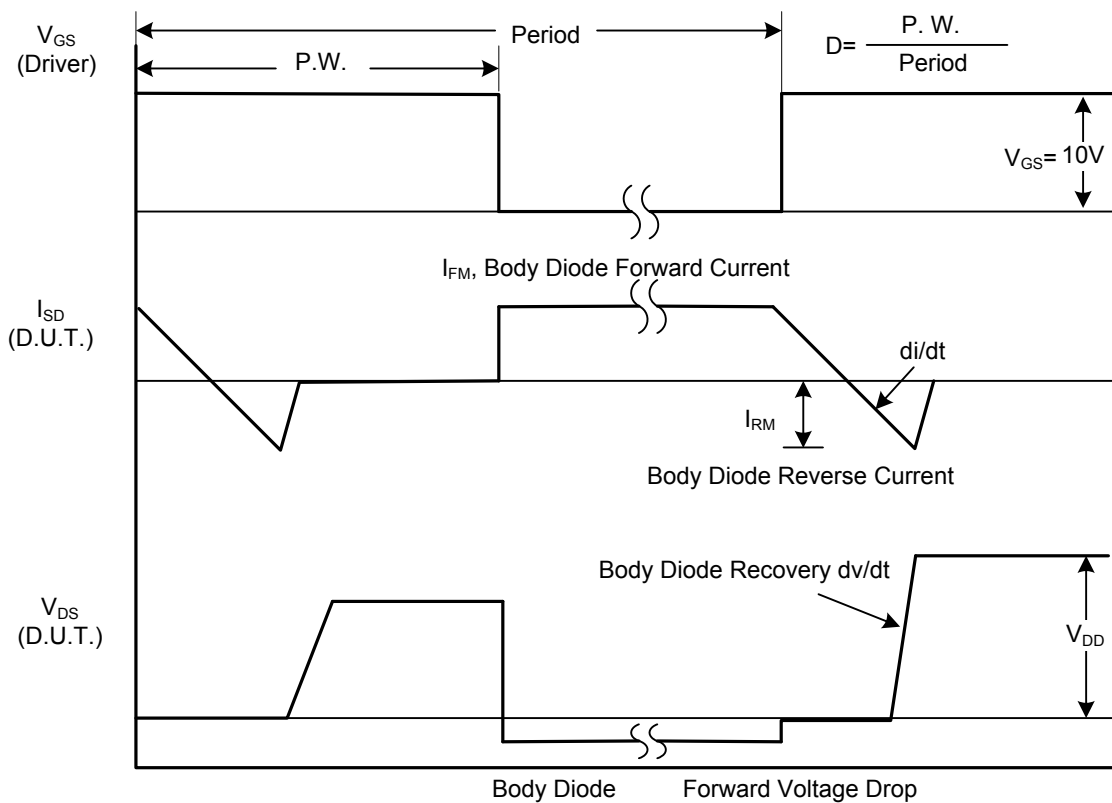
Notes: 1. Pulse Test: Pulse width $\leq 300\mu s$, Duty cycle $\leq 2\%$.

2. Essentially independent of operating temperature.

■ TEST CIRCUITS AND WAVEFORMS

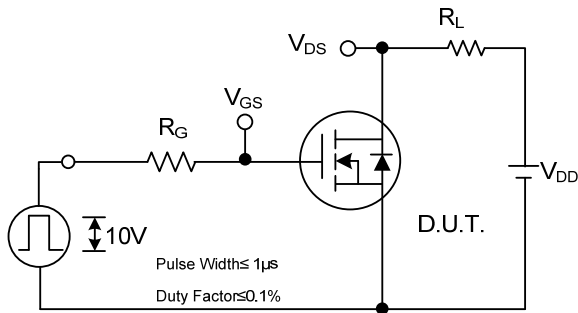


Peak Diode Recovery dv/dt Test Circuit

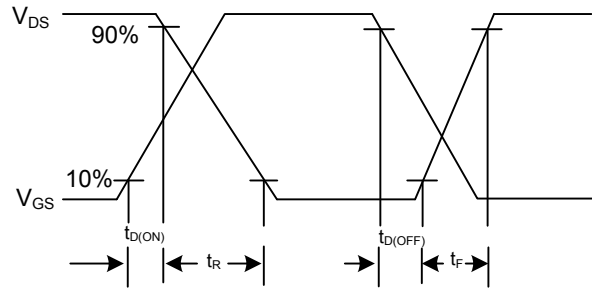


Peak Diode Recovery dv/dt Waveforms

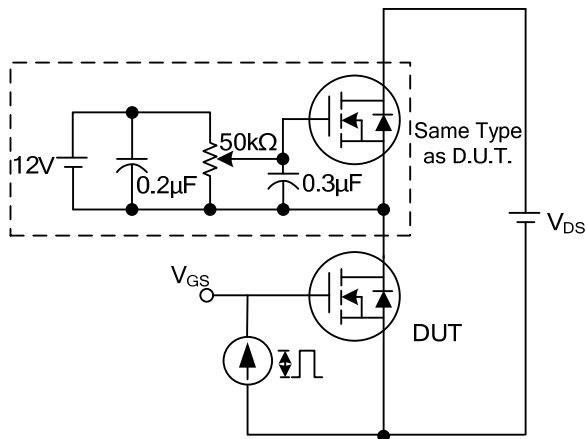
TEST CIRCUITS AND WAVEFORMS



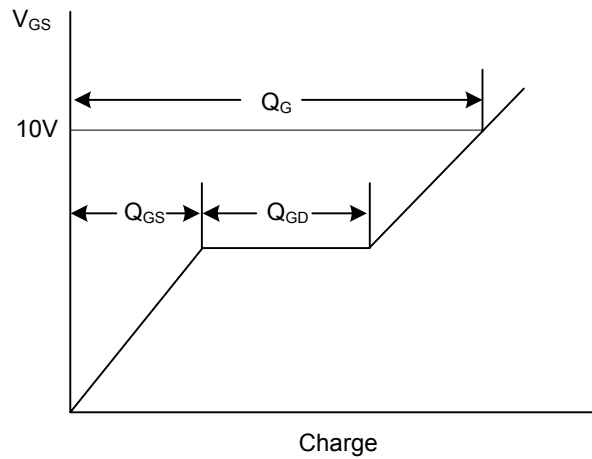
Switching Test Circuit



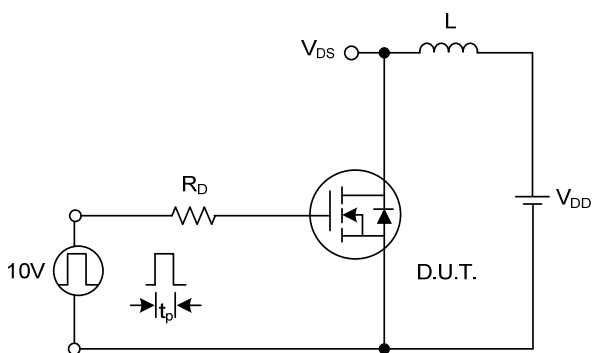
Switching Waveforms



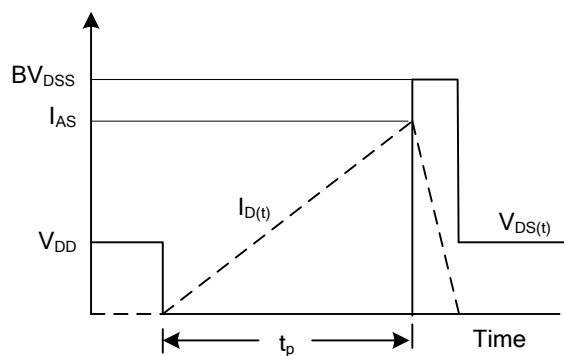
Gate Charge Test Circuit



Gate Charge Waveform

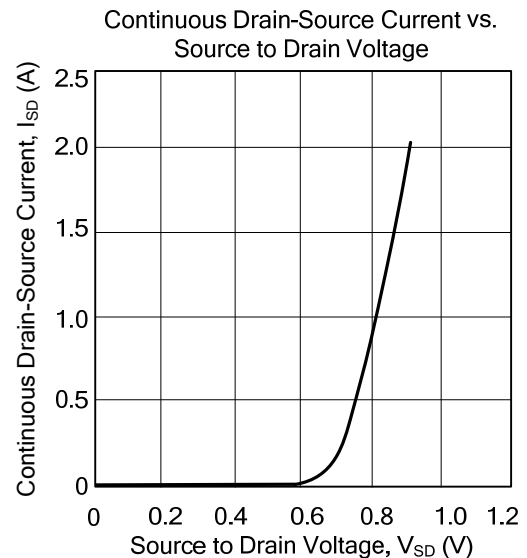
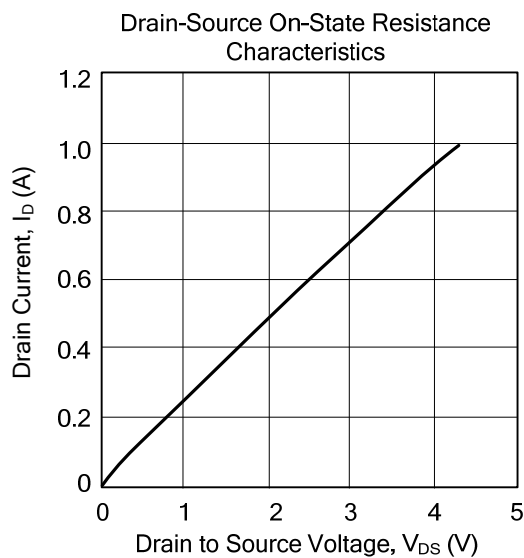
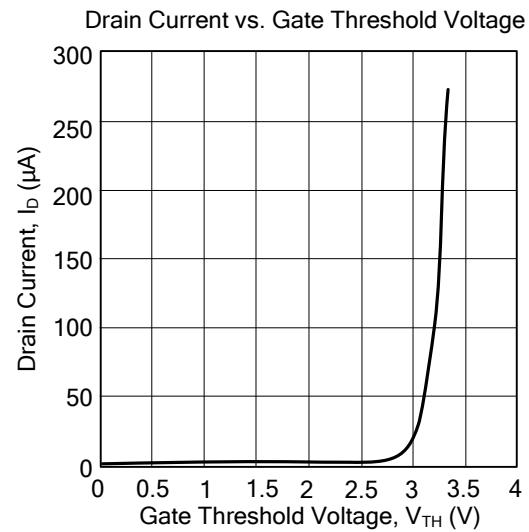
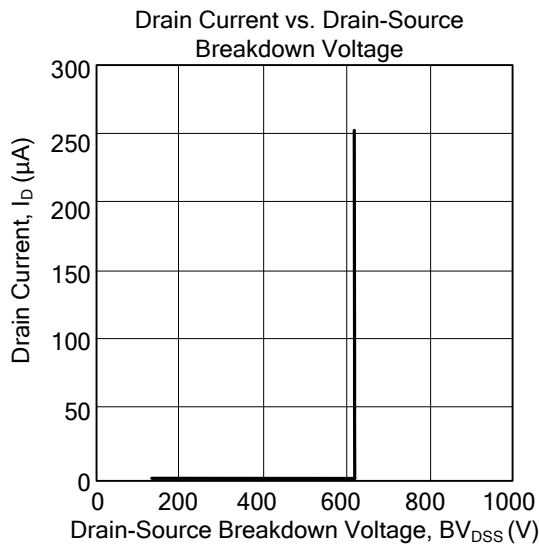


Unclamped Inductive Switching Test Circuit



Unclamped Inductive Switching Waveforms

■ TYPICAL CHARACTERISTICS



UTC assumes no responsibility for equipment failures that result from using products at values that exceed, even momentarily, rated values (such as maximum ratings, operating condition ranges, or other parameters) listed in products specifications of any and all UTC products described or contained herein. UTC products are not designed for use in life support appliances, devices or systems where malfunction of these products can be reasonably expected to result in personal injury. Reproduction in whole or in part is prohibited without the prior written consent of the copyright owner. UTC reserves the right to make changes to information published in this document, including without limitation specifications and product descriptions, at any time and without notice. This document supersedes and replaces all information supplied prior to the publication hereof.