



UMMSZ52XXB

ZENER DIODE

**SURFACE MOUNT SILICON
ZENER DIODE**

■ DESCRIPTION

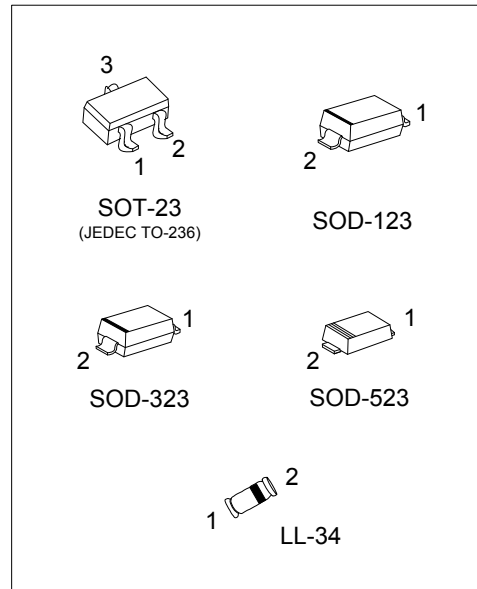
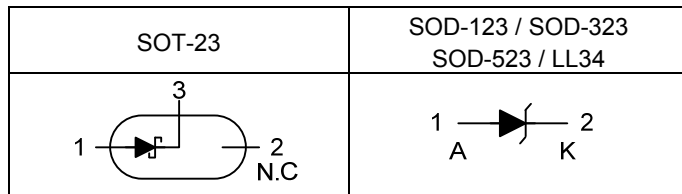
The UTC **UMMSZ52XXB** is a surface mount silicon zener diode, it uses UTC's advanced technology to provide customers with low reverse leakage current, etc.

The UTC **UMMSZ52XXB** is suitable for automated assembly processes.

■ FEATURES

* Low reverse leakage current

■ SYMBOL



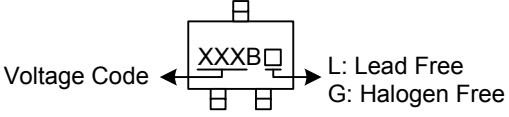
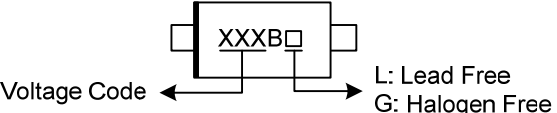
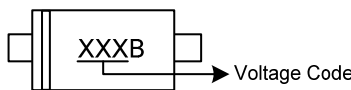
■ ORDERING INFORMATION

Ordering Number		Package	Pin Assignment			Packing
Lead Free	Halogen Free		1	2	3	
UMMSZ52XXBL-AE3-R	UMMSZ52XXBG-AE3-R	SOT-23	A	NC	K	Tape Reel
UMMSZ52XXBL-CA2-R	UMMSZ52XXBG-CA2-R	SOD-123	A	K	-	Tape Reel
UMMSZ52XXBL-CB2-R	UMMSZ52XXBG-CB2-R	SOD-323	A	K	-	Tape Reel
UMMSZ52XXBL-CC2-R	UMMSZ52XXBG-CC2-R	SOD-523	A	K	-	Tape Reel
UMMSZ52XXBL-LL34-R	UMMSZ52XXBG-LL34-R	LL-34	A	K	-	Tape Reel

Note: Pin Assignment: A: Anode K: Cathode

<p>UMMSZ52XXBG-AE3-R</p> <p>(1)Packing Type (2)Package Type (3)Green Package</p>	<p>(1) R: Tape Reel (2) AE3: SOT-23, CA2 : SOD-123, CB2: SOD-323 CC2: SOD-523, LL34: LL-34 (3) G: Halogen Free and Lead Free, L: Lead Free</p>
--	--

■ MARKING INFORMATION

PACKAGE	VOLTAGE CODE		MARKING
SOT-23	2.4: 2.4V 2.5: 2.5V 2.7: 2.7V 2.8: 2.8V 3.0: 3.0V 3.3: 3.3V	11: 11V 12: 12V 13: 13V 14: 14V 15: 15V 16: 16V	 <p>Voltage Code ← XXXB → L: Lead Free G: Halogen Free</p>
SOD-123 SOD-323	3.6: 3.6V 3.9: 3.9V 4.3: 4.3V 4.7: 4.7V 5.1: 5.1V 5.6: 5.6V 6.0: 6.0V 6.2: 6.2V	17: 17V 18: 18V 19: 19V 20: 20V 22: 22V 24: 24V 25: 25V 27: 27V	 <p>Voltage Code ← XXXB → L: Lead Free G: Halogen Free</p>
SOD-523	6.8: 6.8V 7.5: 7.5V 8.2: 8.2V 8.7: 8.7V 9.1: 9.1V 10: 10V	28: 28V 30: 30V 33: 33V 36: 36V 39: 39V	 <p>XXXB → Voltage Code</p>

■ ABSOLUTE MAXIMUM RATINGS

PARAMETER	SYMBOL	RATINGS	UNIT
Peak Forward Surge Current, 8.3ms Single Half Sine-Wave Superimposed on Rated Load (Note 2)	I_{FSM}	4.0	A
Power Dissipation at 75°C (Note 1)	P_D	SOD-123/LL-34	500
		SOD-323	330
		SOD-523	250
		SOT-23	200
Operating Junction Temperature	T_J	-55 ~ +150	°C

Note: 1. Absolute maximum ratings are those values beyond which the device could be permanently damaged.

Absolute maximum ratings are stress ratings only and functional device operation is not implied.

2. Mounted on 5.0mm² (.013mm thick) land areas.

3. Measured on 8.3ms, single half sine-wave or equivalent square wave, duty cycle=4 pulses per minute maximum.

■ ELECTRICAL CHARACTERISTICS

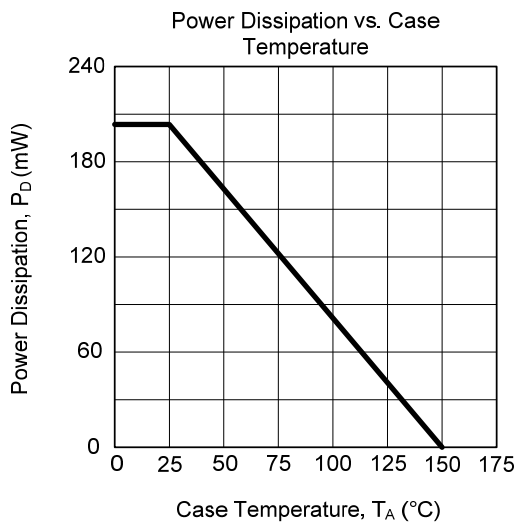
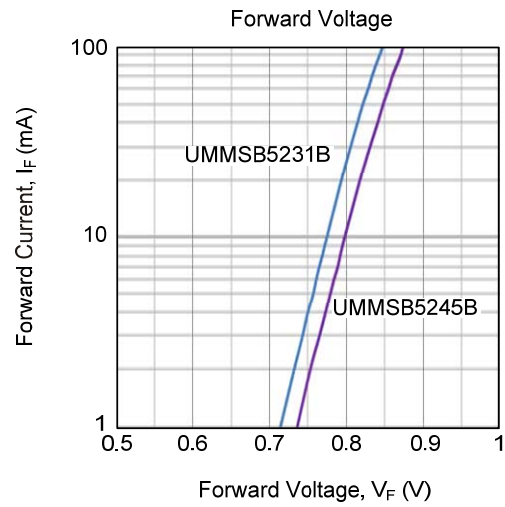
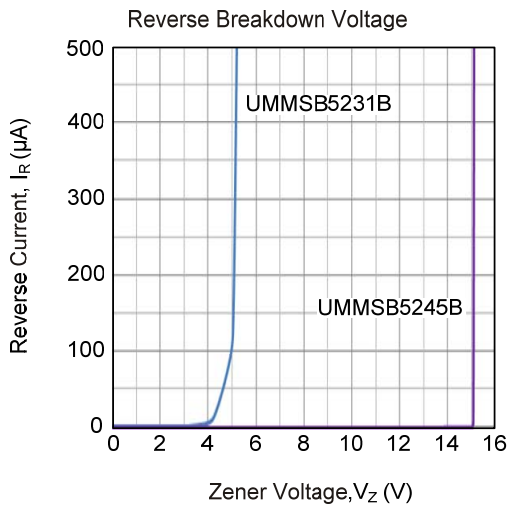
($V_F = 1.2V$ Max @ $I_F = 100mA$ for all types.)

Part Number	Marking Code	Nominal Zener Voltage			Zener Impedance				Reverse Leakage Current		Zener Current
		$V_Z @ I_{ZT}$ (V)			$Z_{ZT} @ I_{ZT}$		$Z_{ZK} @ I_{ZK}$		$I_R @ V_R$		$I_{ZM} @ T_A$
		MIN	TYP	MAX	Max (Ω)	I_Z (mA)	Max (Ω)	I_Z (mA)	Max (μA)	@ V_R (V)	mA
UMMSZ5221B	2.4	2.28	2.4	2.52	30	20	1200	0.25	100	1	188
UMMSZ5222B	2.5	2.38	2.5	2.63	30	20	1250	0.25	100	1	180
UMMSZ5223B	2.7	2.57	2.7	2.84	30	20	1300	0.25	75	1	167
UMMSZ5224B	2.8	2.66	2.8	2.94	30	20	1400	0.25	75	1	167
UMMSZ5225B	3.0	2.85	3.0	3.15	30	20	1600	0.25	50	1	150
UMMSZ5226B	3.3	3.14	3.3	3.47	28	20	1600	0.25	25	1	138
UMMSZ5227B	3.6	3.42	3.6	3.78	24	20	1700	0.25	15	1	126
UMMSZ5228B	3.9	3.71	3.9	4.10	23	20	1900	0.25	10	1	115
UMMSZ5229B	4.3	4.09	4.3	4.52	22	20	2000	0.25	5	1	106
UMMSZ5230B	4.7	4.47	4.7	4.94	19	20	1900	0.25	5	2	97
UMMSZ5231B	5.1	4.85	5.1	5.36	17	20	1600	0.25	5	2	89
UMMSZ5232B	5.6	5.32	5.6	5.88	11	20	1600	0.25	5	3	81
UMMSZ5233B	6.0	5.70	6.0	6.30	7	20	1600	0.25	5	3.5	
UMMSZ5234B	6.2	5.89	6.2	6.51	7	20	1000	0.25	5	4	73
UMMSZ5235B	6.8	6.46	6.8	7.14	5	20	750	0.25	3	5	67
UMMSZ5236B	7.5	7.13	7.5	7.88	6	20	500	0.25	3	6	61
UMMSZ5237B	8.2	7.79	8.2	8.61	8	20	500	0.25	3	6	55
UMMSZ5238B	8.7	8.27	8.7	9.14	8	20	600	0.25	3	6.5	
UMMSZ5239B	9.1	8.65	9.1	9.56	10	20	600	0.25	3	6.5	50
UMMSZ5240B	10	9.50	10	10.50	17	20	600	0.25	3	8	45
UMMSZ5241B	11	10.45	11	11.55	22	20	600	0.25	2	8.4	41
UMMSZ5242B	12	11.40	12	12.60	30	20	600	0.25	1	9.1	38
UMMSZ5243B	13	12.35	13	13.65	13	9.5	600	0.25	1	9.9	35
UMMSZ5244B	14	13.30	14	14.70	15	9.0	600	0.25	0.1	10.5	
UMMSZ5245B	15	14.25	15	15.75	16	8.5	600	0.25	0.1	11	30
UMMSZ5246B	16	15.20	16	16.80	17	7.8	600	0.25	0.1	12	28
UMMSZ5247B	17	16.15	17	17.85	19	7.5	600	0.25	0.1	13	
UMMSZ5248B	18	17.10	18	18.90	21	7.0	600	0.25	0.1	14	25
UMMSZ5249B	19	18.05	19	19.95	23	6.6	600	0.25	0.1	14	
UMMSZ5250B	20	19.00	20	21.00	25	6.2	600	0.25	0.1	15	23
UMMSZ5251B	22	20.90	22	23.10	29	5.6	600	0.25	0.1	17	21

■ ELECTRICAL CHARACTERISTICS (Cont.)

Part Number	Marking Code	Nominal Zener Voltage			Zener Impedance				Reverse Leakage Current		Zener Current
		V _Z @ I _{ZT} (V)			Z _{ZT} @ I _{ZT}		Z _{ZK} @ I _{ZK}		I _R @ V _R		I _{ZM} @ T _A
		MIN	TYP	MAX	Max (Ω)	I _Z (mA)	Max (Ω)	I _Z (mA)	Max (μA)	@V _R (V)	mA
UMMSZ5252B	24	22.80	24	25.20	33	5.2	600	0.25	0.1	18	19.1
UMMSZ5253B	25	23.75	25	26.25	35	5.0	600	0.25	0.1	19	16.8
UMMSZ5254B	27	25.65	27	28.35	41	5.0	600	0.25	0.1	21	16.8
UMMSZ5255B	28	26.60	28	29.40	44	4.5	600	0.25	0.1	21	16.2
UMMSZ5256B	30	28.50	30	31.50	49	4.2	600	0.25	0.1	23	15.1
UMMSZ5257B	33	31.35	33	34.65	58	3.8	700	0.25	0.1	25	13.8
UMMSZ5258B	36	34.20	36	37.80	70	3.4	700	0.25	0.1	27	12.6
UMMSZ5259B	39	37.05	39	40.95	80	3.2	800	0.25	0.1	30	11.6
UMMSZ5260B	43	40.85	43	45.15	93	3.0	900	0.25	0.1	33	
UMMSZ5261B	47	44.65	47	49.35	105	2.7	1000	0.25	0.1	36	
UMMSZ5262B	51	48.45	51	53.55	125	2.5	1100	0.25	0.1	39	

■ TYPICAL CHARACTERISTICS



UTC assumes no responsibility for equipment failures that result from using products at values that exceed, even momentarily, rated values (such as maximum ratings, operating condition ranges, or other parameters) listed in products specifications of any and all UTC products described or contained herein. UTC products are not designed for use in life support appliances, devices or systems where malfunction of these products can be reasonably expected to result in personal injury. Reproduction in whole or in part is prohibited without the prior written consent of the copyright owner. UTC reserves the right to make changes to information published in this document, including without limitation specifications and product descriptions, at any time and without notice. This document supersedes and replaces all information supplied prior to the publication hereof.