



SB360

DIODE

3.0A SCHOTTKY BARRIER RECTIFIER

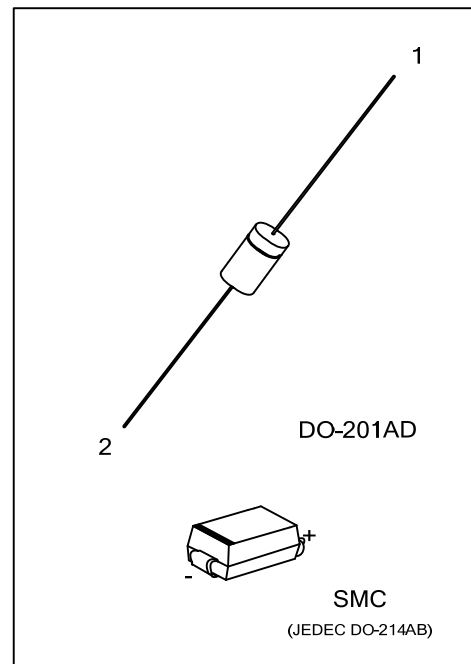
DESCRIPTION

The UTC **SB360** is 3.0A schottky barrier rectifier. it uses UTC's advanced technology to provide customers with high current capability and low forward voltage drop, etc.

The UTC **SB360** is suitable for free wheeling, low voltage and polarity protection applications, etc.

FEATURES

- * Low forward voltage drop
- * High surge capability
- * Low power loss
- * High efficiency
- * High current capability



ORDERING INFORMATION

Ordering Number		Package	Pin Assignment		Packing
Lead Free	Halogen Free		1	2	
SB360L-Z21D-B	SB360G-Z21D-B	DO-201AD	K	A	Tape Box
SB360L-SMC-R	SB360G-SMC-R	SMC	K	A	Tape Reel

Note: Pin Assignment: A: Anode K: Cathode

<p>SB360L-Z21D-B</p> <ul style="list-style-type: none"> (1) Packing Type (2) Package Type (3) Green Package 	<ul style="list-style-type: none"> (1) B: Tape Box, R: Tape Reel (2) Z21D: DO-201AD, SMC: SMC (3) L: Lead Free, G: Halogen Free and Lead Free
--	--

MARKING

DO-201AD	SMC
<p>SB360 □ □□□□</p> <ul style="list-style-type: none"> → Cathode Band for uni-directional Only → L: Lead Free → G: Halogen Free → Date Code 	<p>UTC □□□□ SB360 □</p> <ul style="list-style-type: none"> → Date Code → L: Lead Free → G: Halogen Free ← Cathode Band for uni-directional Only

■ ABSOLUTE MAXIMUM RATINGS ($T_A=25^{\circ}\text{C}$ unless otherwise specified)

Single phase, half wave, 60Hz, resistive or inductive load.

For capacitance load, derate current by 20%.

PARAMETER	SYMBOL	RATINGS	UNIT
DC Blocking Voltage	V_R	60	V
Working Peak Reverse Voltage	V_{RWM}	60	V
Peak Repetitive Reverse Voltage	V_{RRM}	60	V
RMS Reverse Voltage	$V_{R(RMS)}$	42	V
Average Rectified Output Current (Note 2)	I_o	3.0	A
Non-Repetitive Peak Forward Surge Current 8.3ms Single Half Sine-Wave Superimposed on Rated Load (JEDEC Method)	I_{FSM}	80	A
Operating Junction Temperature	T_J	-65~+150	$^{\circ}\text{C}$
Storage Temperature	T_{STG}	-65~+150	$^{\circ}\text{C}$

Notes: 1. Absolute maximum ratings are those values beyond which the device could be permanently damaged.

Absolute maximum ratings are stress ratings only and functional device operation is not implied.

2. Measured at ambient temperature at a distance of 9.5mm from the case.

■ THERMAL DATA

PARAMETER	SYMBOL	RATINGS	UNIT
Junction to Ambient	θ_{JA}	95	$^{\circ}\text{C}/\text{W}$
		30	

Note: Thermal resistance from junction to lead vertical P.C.B. mounted, 0.500" (12.7mm) lead length with 2.5x2.5" (63.5x63.5mm) copper pad.

■ ELECTRICAL CHARACTERISTICS ($T_A=25^{\circ}\text{C}$ unless otherwise specified.)

Single phase, half wave, 60Hz, resistive or inductive load.

For capacitance load, derate current by 20%.

PARAMETER	SYMBOL	TEST CONDITIONS	MIN	TYP	MAX	UNIT
Reverse Breakdown Voltage	$V_{(BR)R}$	$I_R=0.50\text{mA}$	60			V
Forward Voltage Drop	V_{FM}	$I_F=3\text{A}, T_J=25^{\circ}\text{C}$			0.74	V
Leakage Current	I_{RM}	$V_R=100\text{V}, T_A=25^{\circ}\text{C}$			500	μA
		$V_R=100\text{V}, T_A=100^{\circ}\text{C}$			10	mA

Note: Short duration pulse test used to minimize self-heating effect.

UTC assumes no responsibility for equipment failures that result from using products at values that exceed, even momentarily, rated values (such as maximum ratings, operating condition ranges, or other parameters) listed in products specifications of any and all UTC products described or contained herein. UTC products are not designed for use in life support appliances, devices or systems where malfunction of these products can be reasonably expected to result in personal injury. Reproduction in whole or in part is prohibited without the prior written consent of the copyright owner. The information presented in this document does not form part of any quotation or contract, is believed to be accurate and reliable and may be changed without notice.